

NOTES:
Work this sheet with sheet SE-24.

Space reinforcement in abutment seat to miss anchor bolts.

Contractor to field verify dimensions of existing abutment and wingwalls.

Existing reinforcement extending into removal area shall be cleaned, straightened and incorporated into the new construction. Cost included in pay item "Concrete Removal".

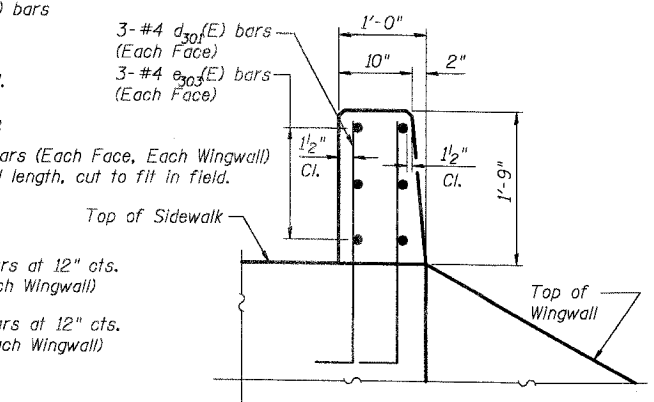
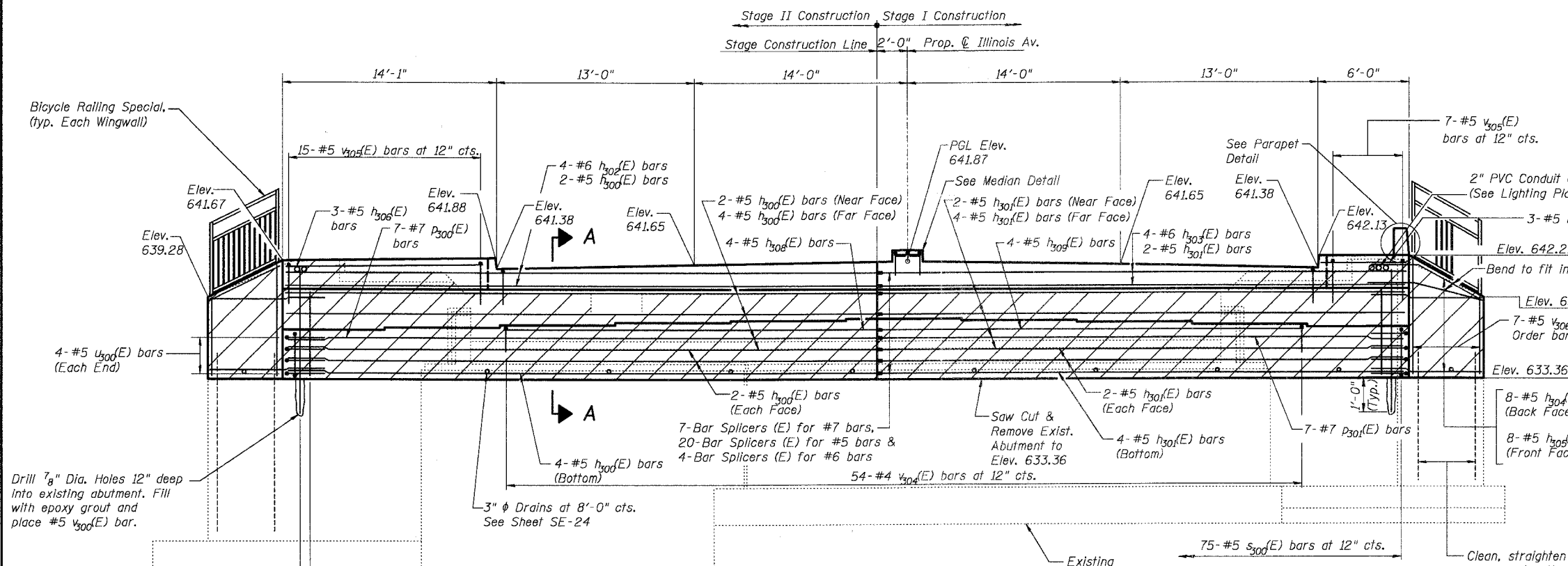
Drill and epoxy grout #5 $v_{300}(E)$ bars in drilled holes with a minimum depth of 12" according to Article 584 of the Standard Specs.

Pour steps monolithically with abutment cap. All edges shall have standard $\frac{3}{4}$ " chamfers except as noted.

All elevations given at back of abutment unless noted otherwise.

See Sheet SE-24 for Section A-A.

See Sheet SE-17 for Bicycle Railing, Special details.



DESIGNED	AEU
CHECKED	RGD
DRAWN	WJH
CHECKED	NRF

BEAM SEAT ELEVATION TABLE

Beam #	1E	2E	3E	4E	5E	6E	7E	8E	9E	10E
Seat Elevation	637.65	637.80	637.96	638.09	638.20	638.08	637.95	637.79	637.64	637.48

SMITH ENGINEERING CONSULTANTS, INC.
CIVIL/STRUCTURAL ENGINEERS AND SURVEYORS
11111 Frederick Road, Suite 100, Springfield, MA 01104
Tel: 417-833-1111 Fax: 417-833-1112

REVISIONS	
NAME	DATE

CITY OF AURORA
WEST ABUTMENT PLAN AND ELEVATION
ILLINOIS AVENUE
OVER THE FOX RIVER
SECTION NO. 03-00247-00-BR
KANE COUNTY
STRUCTURE NO. 045-6008
DATE 7-28-2006