

LEGEND

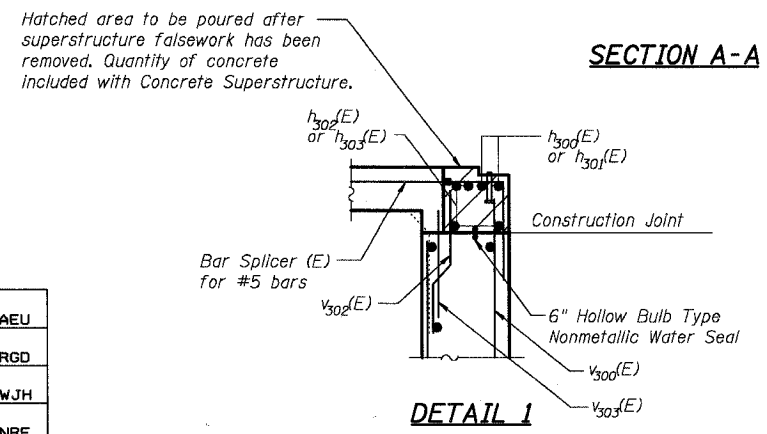
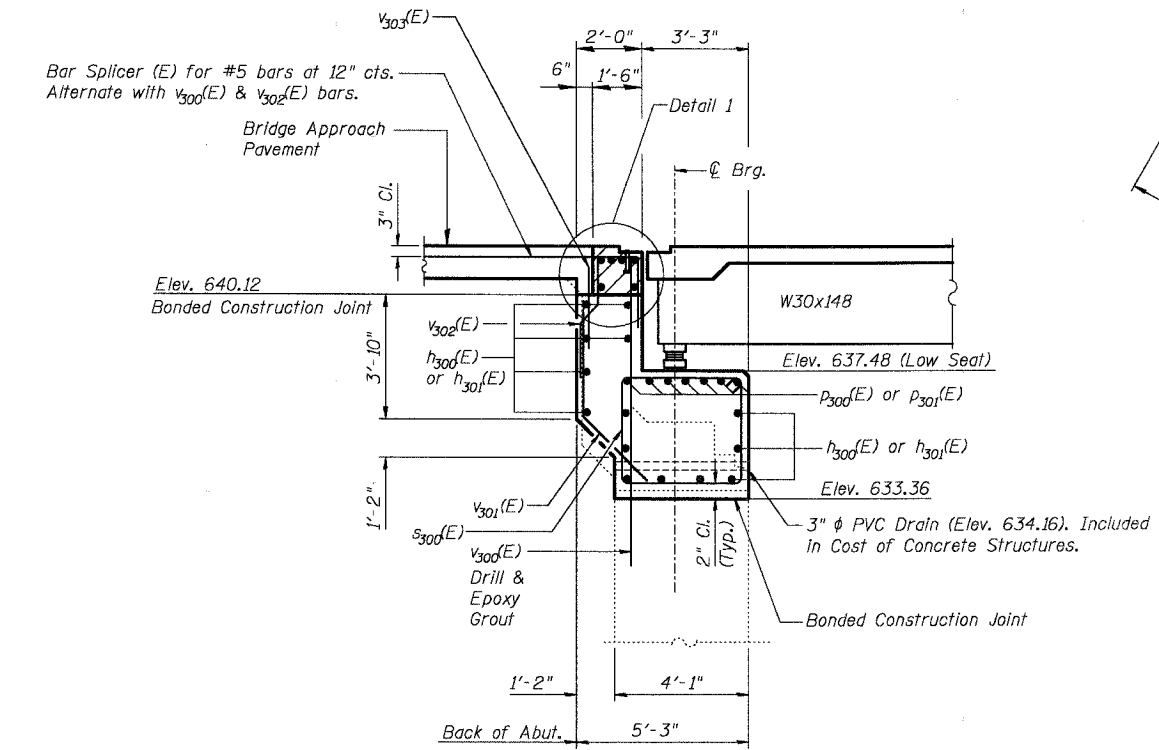
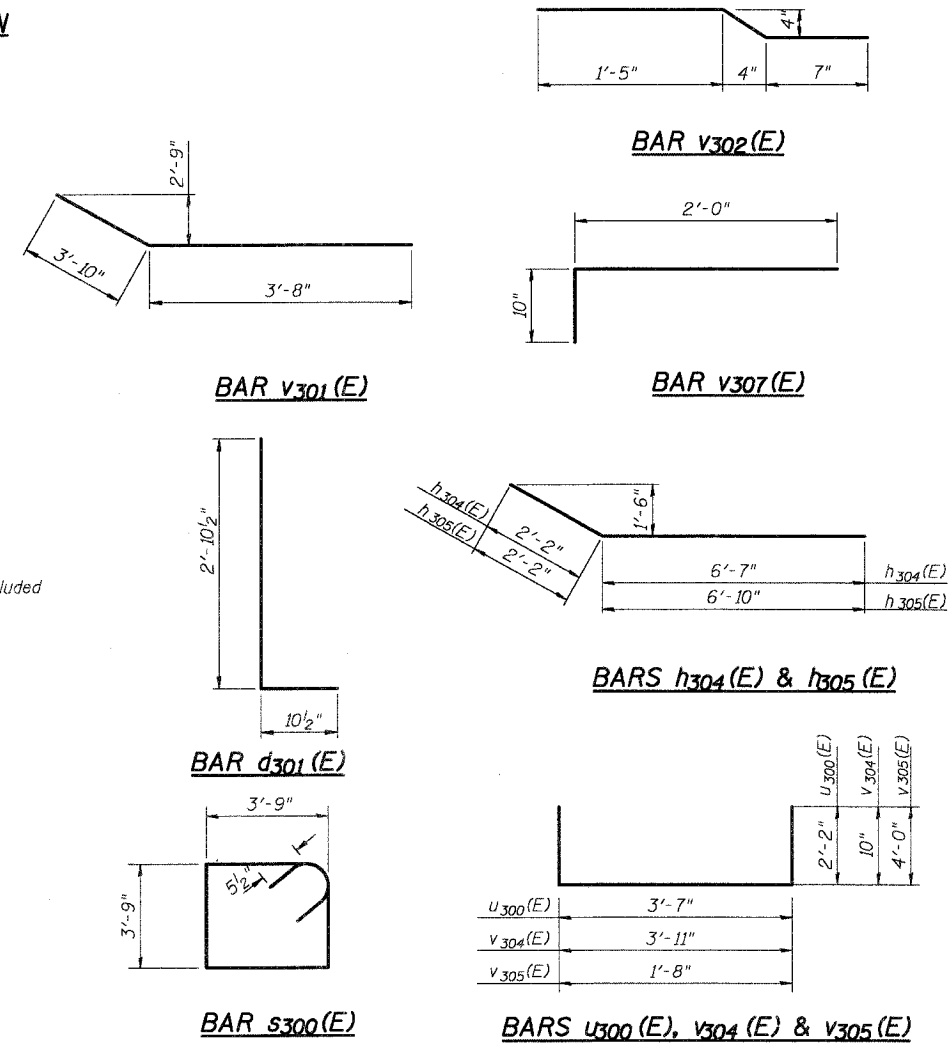
Indicates Concrete Removal Areas

Indicates Structural Repair of Concrete

**BILL OF MATERIAL
WEST ABUTMENT**

Bar	No.	Size	Length	Shape
d ₃₀₁ (E)	6	#6	3'-9"	┌
e ₃₀₃ (E)	6	#4	1'-8"	—
h ₃₀₀ (E)	16	#5	38'-10"	—
h ₃₀₁ (E)	16	#5	34'-8"	—
h ₃₀₂ (E)	4	#6	38'-10"	—
h ₃₀₃ (E)	4	#6	34'-8"	—
h ₃₀₄ (E)	16	#5	8'-9"	┘
h ₃₀₅ (E)	16	#5	9'-0"	┘
h ₃₀₆ (E)	3	#5	13'-9"	—
h ₃₀₇ (E)	3	#5	5'-8"	—
h ₃₀₈ (E)	4	#5	16'-10"	—
h ₃₀₉ (E)	4	#5	20'-3"	—
h ₃₁₀ (E)	3	#5	1'-2"	—
h ₃₁₁ (E)	3	#5	1'-8"	—
p ₃₀₀ (E)	7	#7	38'-10"	—
p ₃₀₁ (E)	7	#7	34'-8"	—
s ₃₀₀ (E)	75	#5	15'-11"	┘
u ₃₀₀ (E)	8	#5	7'-11"	—
v ₃₀₀ (E)	75	#5	8'-10"	—
v ₃₀₁ (E)	75	#5	7'-6"	┘
v ₃₀₂ (E)	54	#5	2'-6"	┘
v ₃₀₃ (E)	54	#5	2'-4"	—
v ₃₀₄ (E)	54	#4	5'-7"	—
v ₃₀₅ (E)	22	#5	9'-8"	—
v ₃₀₆ (E)	28	#5	8'-4"	—
v ₃₀₇ (E)	6	#5	2'-10"	┘
Reinforcement Bars, Epoxy Coated	Pound		6,830	
Concrete Removal	Cu. Yd.		41.2	
Concrete Structures	Cu. Yd.		74.0	
Structure Excavation	Cu. Yd.		53	
Bridge Seat Sealer	Sq. Ft.		241	
Structural Repair of Concrete (Less than or equal to 5")	Sq. Ft.		6	
Bicycle Railing, Special	Foot		11	

**ELEVATION
Looking West**



DESIGNED	AEU
CHECKED	RGD
DRAWN	WJH
CHECKED	NRF

NOTES:

Reinforcement bars designated (E) shall be epoxy coated.

Work this sheet with sheet SE-23.

See Sheet SE-2 for abutment drainage detail.

REVISIONS	
NAME	DATE

CITY OF AURORA

WEST ABUTMENT DETAILS
ILLINOIS AVENUE
OVER THE FOX RIVER
SECTION NO. 03-00247-00-BR
KANE COUNTY
STRUCTURE NO. 045-6008

DATE 7-28-2006