

NOTES:

Work this sheet with sheet SE-26.

Space reinforcement in abutment seat to miss anchor bolts.

Contractor to field verify dimensions of existing abutment and wingwalls and locations of existing storm pipe in wingwall.

Existing reinforcement extending into removal area shall be cleaned, straightened and incorporated into the new construction. Cost included in pay item "Concrete Removal".

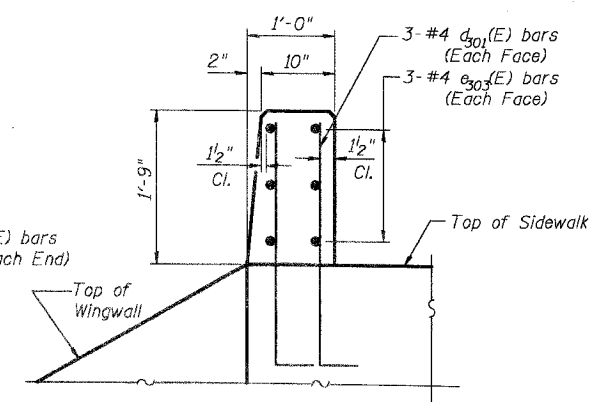
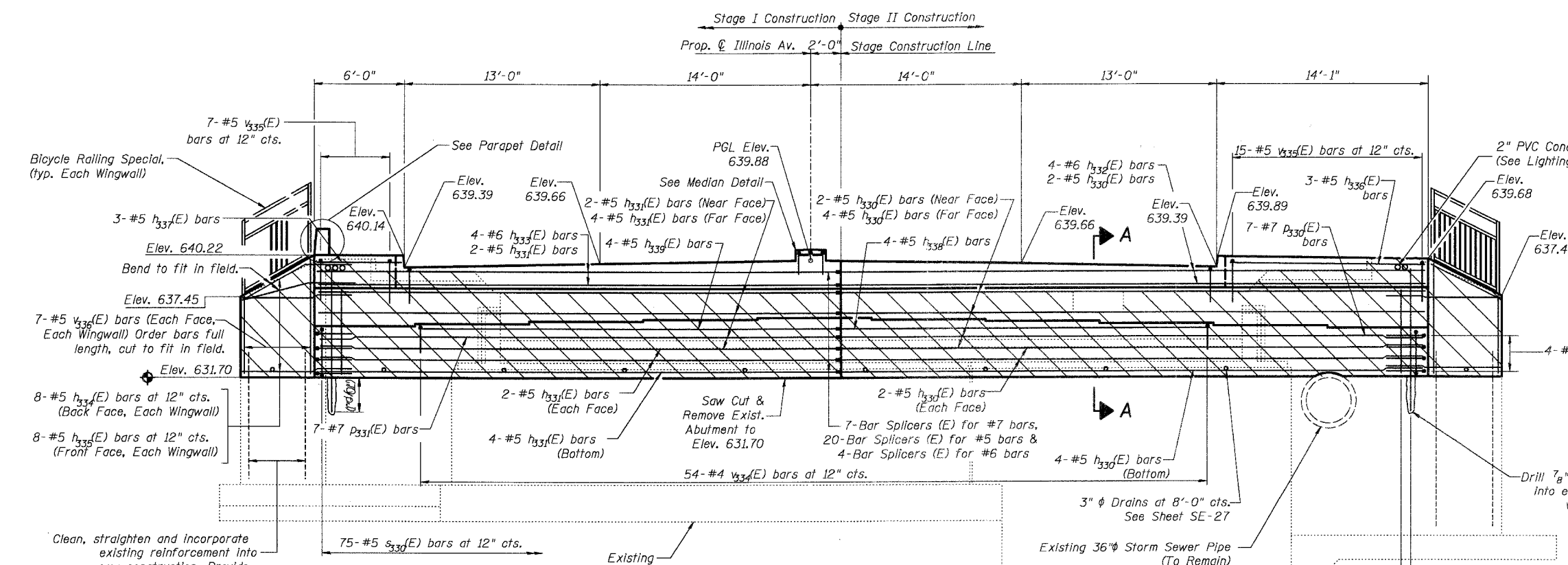
Drill and epoxy grout #5 $v_{330}(E)$ bars in drilled holes with a minimum depth of 12" according to Article 584 of the Standard Specs.

Pour steps monolithically with abutment cap. All edges shall have standard 3/4" chamfers except as noted.

All elevations given at back of abutment unless noted otherwise.

See Sheet SE-26 for Section A-A.

See Sheet SE-17 for Bicycle Railing, Special Detail.



BEAM SEAT ELEVATION TABLE

Beam #	1E	2E	3E	4E	5E	6E	7E	8E	9E	10E
Seat Elevation	635.74	635.89	636.05	636.18	636.29	636.17	636.04	635.88	635.73	635.57

DESIGNED	AEU
CHECKED	RGD
DRAWN	WJH
CHECKED	NRF

SMITH ENGINEERING CONSULTANTS, INC.
CIVIL, STRUCTURAL, ELECTRICAL AND SURVEYING

REVISIONS

NAME	DATE

CITY OF AURORA

EAST ABUTMENT PLAN AND ELEVATION
OVER THE FOX RIVER
SECTION NO. 03-00247-00-BR
KANE COUNTY
STRUCTURE NO. 045-6008

DATE 7-28-2006

COMPANY NAME, SEC. NO., PROJECT NO., SHEET NO., DATE, DRAWN BY, CHECKED BY, DESIGNED BY, SCALE, NOTES, etc.