

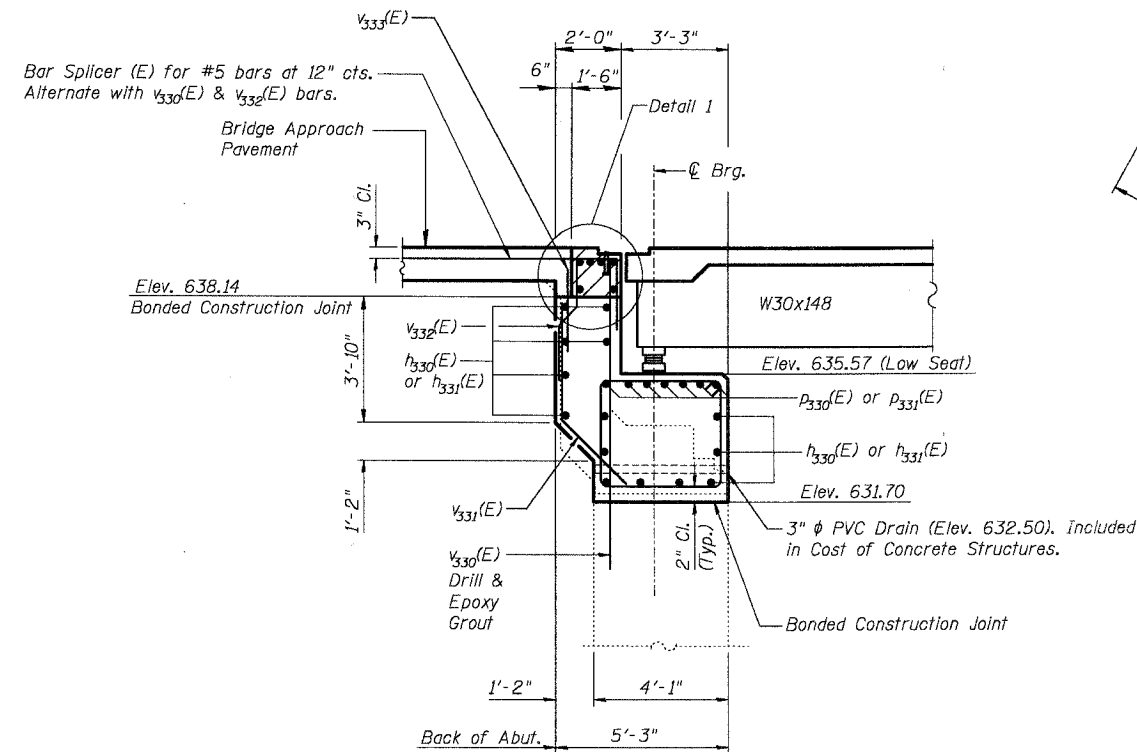
ELEVATION
Looking East

LEGEND

	Indicates Concrete Removal Areas
	Indicates Epoxy Crack Sealing
	Indicates Structural Repair of Concrete

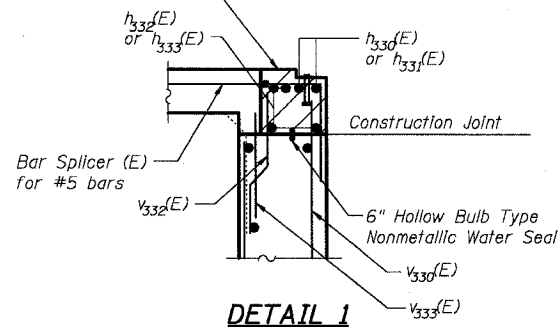
**BILL OF MATERIAL
EAST ABUTMENT**

Bar	No.	Size	Length	Shape
d ₃₀₁ (E)	6	#6	3'-9"	┌
e ₃₀₃ (E)	6	#4	1'-8"	—
h ₃₃₀ (E)	16	#5	38'-10"	—
h ₃₃₁ (E)	16	#5	34'-8"	—
h ₃₃₂ (E)	4	#6	38'-10"	—
h ₃₃₃ (E)	4	#6	34'-8"	—
h ₃₃₄ (E)	16	#5	8'-9"	└
h ₃₃₅ (E)	16	#5	9'-0"	└
h ₃₃₆ (E)	3	#5	13'-9"	—
h ₃₃₇ (E)	3	#5	5'-8"	—
h ₃₃₈ (E)	4	#5	16'-10"	—
h ₃₃₉ (E)	4	#5	20'-3"	—
h ₃₄₀ (E)	3	#5	1'-2"	—
h ₃₄₁ (E)	3	#5	1'-8"	—
p ₃₃₀ (E)	7	#7	38'-10"	—
p ₃₃₁ (E)	7	#7	34'-8"	—
s ₃₃₀ (E)	75	#5	15'-5"	└
u ₃₃₀ (E)	8	#5	7'-11"	┌
v ₃₃₀ (E)	75	#5	8'-6"	—
v ₃₃₁ (E)	75	#5	7'-1"	└
v ₃₃₂ (E)	54	#5	2'-6"	└
v ₃₃₃ (E)	54	#5	2'-4"	—
v ₃₃₄ (E)	54	#4	5'-7"	—
v ₃₃₅ (E)	22	#5	9'-8"	—
v ₃₃₆ (E)	28	#5	8'-0"	—
v ₃₃₇ (E)	6	#5	2'-10"	└
Reinforcement Bars, Epoxy Coated			Pound	6,720
Concrete Removal			Cu. Yd.	41.2
Concrete Structures			Cu. Yd.	74.0
Structure Excavation			Cu. Yd.	53
Bridge Seat Sealer			Sq. Ft.	241
Epoxy Crack Sealing			Foot	9
Structural Repair of Concrete (Less than or equal to 5")			Sq. Ft.	16
Bicycle Railing Special			Foot	11



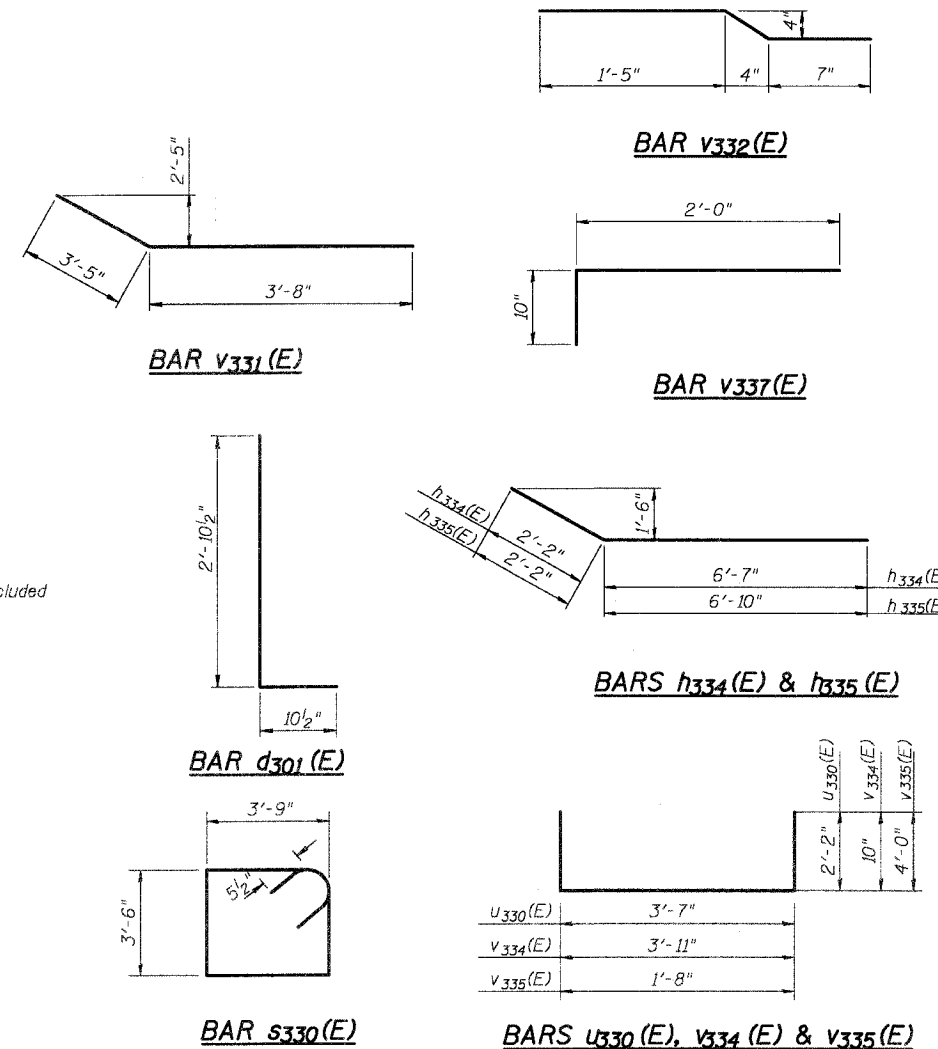
SECTION A-A

Hatched area to be poured after superstructure falsework has been removed. Quantity of concrete included with Concrete Superstructure.



DETAIL 1

DESIGNED	AEU
CHECKED	RGD
DRAWN	WJH
CHECKED	NRF



NOTES:

- Reinforcement bars designated (E) shall be epoxy coated.
- Work this sheet with sheet SE-25.
- See Sheet SE-2 for abutment drainage detail.

SMITH ENGINEERING CONSULTANTS, INC.
CIVIL/STRUCTURAL ENGINEERS AND SURVEYORS

REVISIONS	
NAME	DATE

CITY OF AURORA
EAST ABUTMENT DETAILS
ILLINOIS AVENUE
OVER THE FOX RIVER
SECTION NO. 03-00247-00-BR
KANE COUNTY
STRUCTURE NO. 045-6008
DATE 7-28-2006