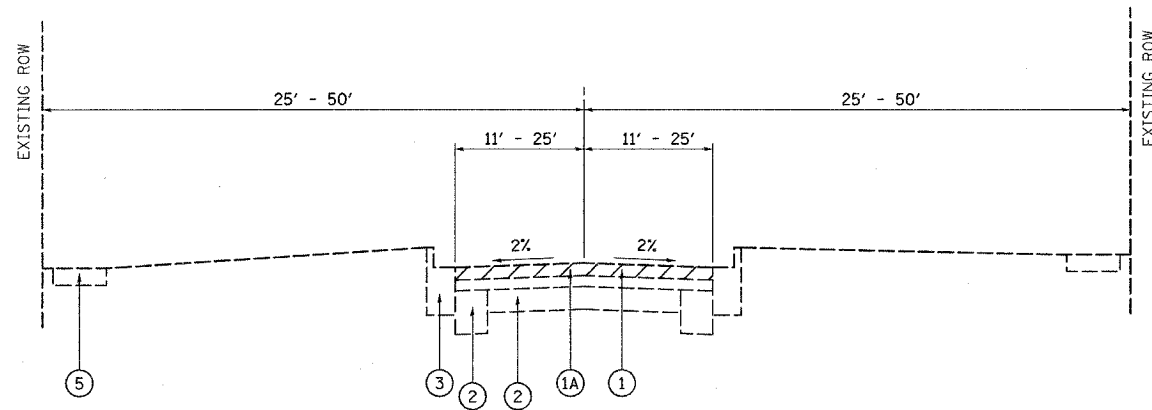
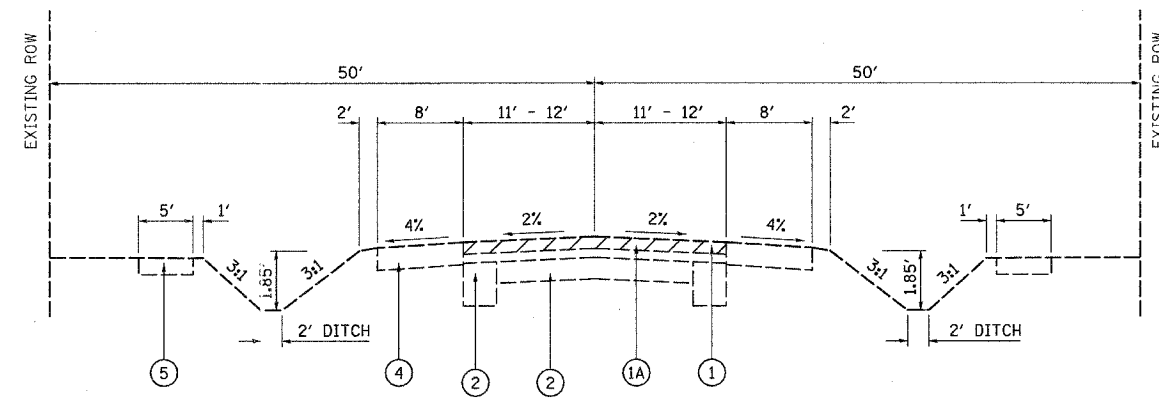


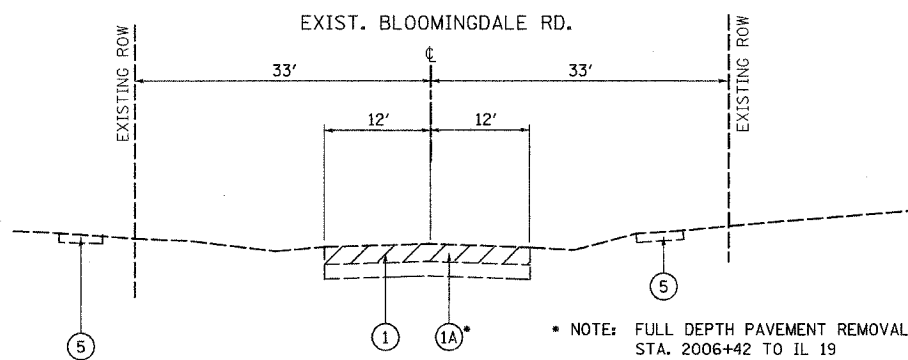
F.A.U. RTE.	SECTION	COUNTY	TOTAL SHEETS	SHEET NO.
1321	0711 N-1	DuPAGE	54	6
STA.		TO STA.		
FED. ROAD DIST. NO. 1		ILLINOIS FED. AID PROJECT		



EXISTING TYPICAL SECTION
ILLINOIS ROUTE 19 (IRVING PARK ROAD)
STA. 1000+89.2 TO BLOOMINGDALE ROAD



EXISTING TYPICAL SECTION
ILLINOIS ROUTE 19 (IRVING PARK ROAD)
BLOOMINGDALE ROAD TO STA. 1011+98.3



EXISTING TYPICAL SECTION
BLOOMINGDALE ROAD
STA. 2003+31.3 TO STA. 2007+74.7

LEGEND:

- ① EXISTING BITUMINOUS OVERLAY, 6" AND VAR.
- ①A PROP. HOT-MIX ASPHALT SURFACE REMOVAL, VARIABLE DEPTH
- ② EXISTING PCC BASE COURSE, 6" AND VAR.
- ③ EXISTING B-6.12 CURB AND GUTTER
- ④ EXISTING BIT. OR AGG. SHOULDER
- ⑤ EXISTING SIDEWALK (TYP.)
- ⑥ PROP. POLYMERIZED HOT-MIX ASPHALT SURFACE COURSE, MIX "D", N70
- ⑦ PROP. 1" LEVELING BINDER (MACHINE METHOD), N70
- ⑧ PROP. 9" PCC BASE COURSE
- ⑨ PROP. 6" SUBBASE GRANULAR MATERIAL
- ⑩ PROP. HOT-MIX ASPHALT BASE COURSE, 7"
- ⑪ PROP. B-6.24 CURB AND GUTTER
- ⑫ PROP. SIDEWALK, 5" (TYP.)
- ⑬ PROP. TOPSOIL FURNISH AND PLACE, 4"; SODDING, SALT TOLERANT; SEEDING, CLASS 2A
- ⑭ PROP. AGGREGATE SHOULDERS, TYPE B, 6"
- ⑮ PROP. HOT-MIX ASPHALT SHOULDERS, 6"
- ⑯ PROP. STRIP REFLECTIVE CRACK CONTROL
- ⑰ PROP. POROUS GRANULAR EMBANKMENT, SUBGRADE 12 INCH

BITUMINOUS MIXTURE REQUIREMENT CHART				
	MIXTURE	AC/PG	VOIDS (%)	RAP (%)
ROADWAY	HMA SURFACE COURSE, MIX "D", N70	PG 64-22	4 @ 70 GYR.	10
	LEVELING BINDER (MM) SUPERPAVE, N70	PG 64-22	4 @ 70 GYR.	10
	HMA SHOULDER, 6"	PG 58-22	2 @ 30 GYR.	50
	HMA BASE COURSE, 7"	PG 58-22	2 @ 50 GYR.	50
DRIVEWAYS	HMA SURFACE COURSE, MIX "C", N50, 2"	PG 64-22	4 @ 50 GYR.	15
	HMA BASE COURSE, 6" & 8"	PG 58-22	2 @ 50 GYR.	50
	CLASS D PATCHING, 6" IL-19mm	PG 64-22	4 @ 70 GYR.	15

NOTE: THE UNIT WEIGHT USED TO CALCULATE ALL HOT MIX ASPHALT MIXTURES IS 112 LBS/SQ YD/IN

PLOT DATE = 11/21/06
 FILE NAME = H:\PROJECTS\Bloom\BloomTypical\Sections\Typical Sections.dgn
 PLOT SCALE = 1/8"=1'-0"
 USER NAME = JESBY

REVISIONS	
NAME	DATE

ILLINOIS DEPARTMENT OF TRANSPORTATION
F.A.U. ROUTE 1321 (IL. ROUTE 19)

EXISTING TYPICAL SECTIONS
IL. ROUTE 19

SCALE: VERT. NONE
HORIZ. NONE
DATE 11/21/06
DRAWN BY ES
CHECKED BY JIP