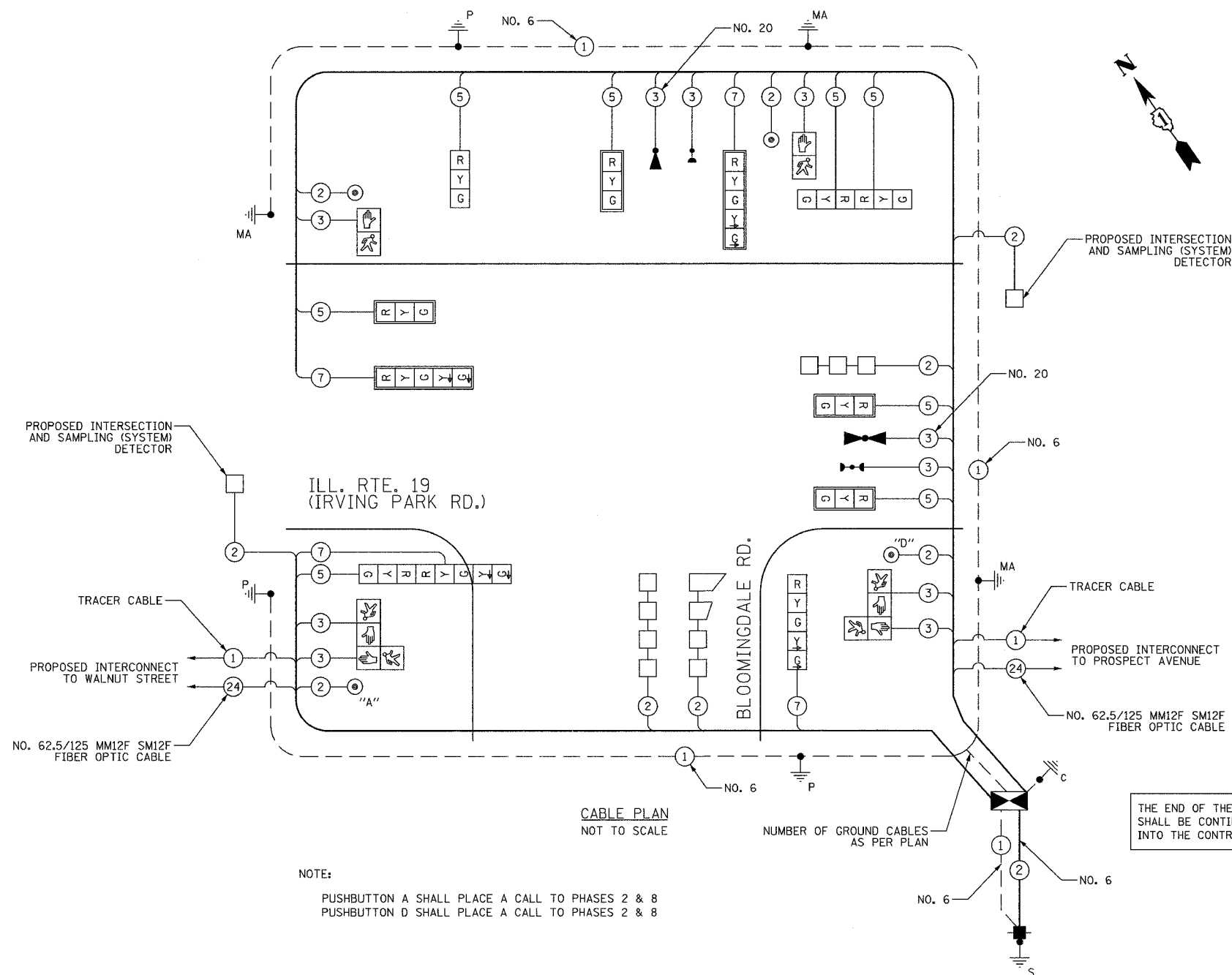


| | | | | |
|---|----------|---------------|--------------|-----------|
| F.A.J. RTE. | SECTION | COUNTY | TOTAL SHEETS | SHEET NO. |
| 1321 | 0711 N-1 | DU PAGE | 54 | 27 |
| STA. _____ | | TO STA. _____ | | |
| FED. ROAD DIST. NO. 7 ILLINOIS FED. AID PROJECT | | | | |

CABLE PLAN LEGEND

- | | | |
|--|--|---|
| | | 8" (200mm) TRAFFIC SIGNAL SECTION |
| | | 12" (300mm) TRAFFIC SIGNAL SECTION |
| | | 12" (300mm) PEDESTRIAN SIGNAL SECTION |
| | | 12" (300mm) PEDESTRIAN SIGNAL SECTION |
| | | CONTROLLER CABINET |
| | | SERVICE INSTALLATION |
| | | TELEPHONE CONNECTION |
| | | MAGNETIC DETECTOR |
| | | EMERGENCY VEHICLE LIGHT DETECTOR |
| | | CONFIRMATION BEACON |
| | | PUSHBUTTON DETECTOR |
| | | VEHICLE DETECTOR, INDUCTION LOOP |
| | | DENOTES NUMBER OF CONDUCTORS, ALL CABLE NO. 14 EXCEPT AS INDICATED. ALL LOOP DETECTOR CABLE TO BE SHIELDED. |
| | | MICROWAVE VEHICLE SENSOR |
| | | SIGNAL FACE WITH BACKPLATE, "P" INDICATES PROGRAMMED HEAD |
| | | RAILROAD CONTROL CABINET |
| | | ILLUMINATED SIGN "NO LEFT TURN" |
| | | ILLUMINATED SIGN "NO RIGHT TURN" |
| | | GROUND ROD AT HANDHOLE (H), DOUBLE HANDHOLE (H), OR CONTROLLER (C). |
| | | GROUND ROD AT POST (P), OR MAST ARM POLE (MA). |
| | | GROUND ROD AT ELECTRIC SERVICE INSTALLATION |
| | | GROUND CABLE IN CONDUIT NO. 6 SOLID COPPER (GREEN) |
| | | FIBER OPTIC CABLE IN CONDUIT NO. 62.5/125 2-MM12F SM12F |



| I.D.O.T. TRAFFIC SIGNAL INSTALLATION ELECTRICAL SERVICE REQUIREMENTS | | | | | TOTAL WATTAGE |
|--|-----------|-----------------|-----|-------------|---------------|
| TYPE | NO. LAMPS | WATTAGE INCAND. | LED | % OPERATION | |
| SIGNAL (RED) | 12 | 17 | | 0.50 | 102 |
| (YELLOW) | 12 | | 25 | 0.25 | 75 |
| (GREEN) | 12 | | 15 | 0.25 | 45 |
| ARROW | 8 | | 12 | 0.10 | 10 |
| PED. SIGNAL | 6 | | 25 | 1.00 | 150 |
| CONTROLLER | 1 | | 100 | 1.00 | 100 |
| FLASHER | | | | 0.50 | |
| TOTAL = | | | | | 482 |

ENERGY COSTS TO: ILLINOIS DEPARTMENT OF TRANSPORTATION
201 WEST CENTER COURT
SCHAUMBURG, IL 60196-1096
CONTACT: BOB BEATTY
PHONE: 630-691-4721
COMPANY: COM ED

ENERGY SUPPLY:

| FOUNDATION (DEPTH) | FT. (m) | CABLE SLACK | FT. (m) | VERTICAL | FT. (m) |
|--------------------|----------|------------------|-----------|-------------------|-----------------------|
| TYPE A - POST | 4 (1.2) | HANDHOLE | 6.5 (2.0) | ALL FOUNDATIONS | 3.5 (2.0) |
| D- CONTROLLER | 4 (1.2) | DOUBLE HANDHOLE | 13 (4.0) | MAST ARM (L) POLE | 20'+L-2'=(6m+L-0.6m)= |
| E- M. ARM POLE | | SIGNAL POST | 2 (1.0) | BRACKET MOUNTED | 13 (4.0) |
| 24" (600mm) | 10 (3.0) | CONTROLLER CAB. | 1 (0.5) | PED. PUSHBUTTON | 4 (1.2) |
| 30" (750mm) | 15 (4.6) | FIBER OPTIC | 13 (4.0) | ELECTRIC SERVICE | 13.5 (4.1) |
| 36" (900mm) | 15 (4.6) | ELECTRIC SERVICE | 1 (0.5) | SERVICE TO GROUND | 13.5 (4.1) |
| | | GROUND CABLE | 1 (0.5) | POST MOUNTED | 6 (1.8) |

| REVISIONS | |
|-----------|------|
| NAME | DATE |
| | |
| | |
| | |
| | |
| | |

ILLINOIS DEPARTMENT OF TRANSPORTATION

CABLE PLAN

ILL. RTE. 19 (IRVING PARK RD.) & BLOOMINGDALE ROAD

SCALE: NOT TO SCALE
DATE: 8/23/2006

DRAWN BY: BRD
CHECKED BY: JJE

PLOT DATE = #DATE#
FILE NAME = #FILE#
PLOT SCALE = #SCALE#
REFERENCE = #REF#