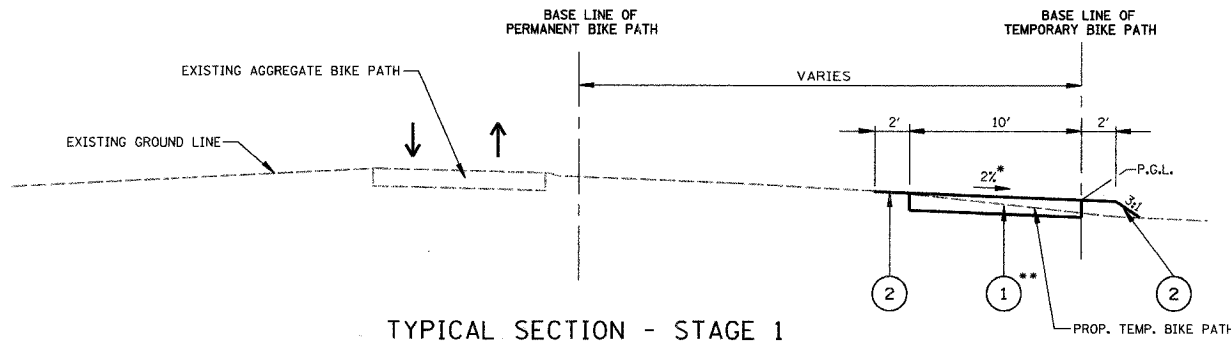


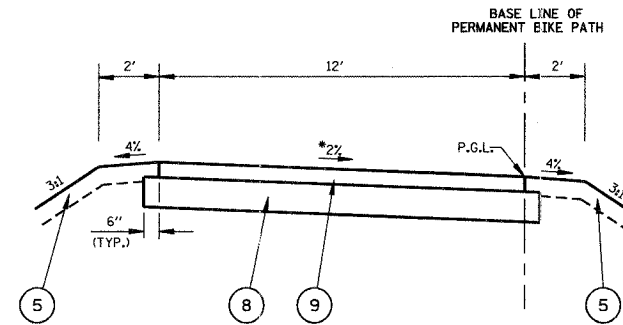
F.A.U. RTE.	SECTION	COUNTY	TOTAL SHEETS	SHEET NO.
0177	01-00168-06-B1	LAKE	38	4
TYPICAL SECTIONS				
FED. ROAD DIST. NO. 7 ILLINOIS FED. AID PROJECT HD-8003695				



TYPICAL SECTION - STAGE 1

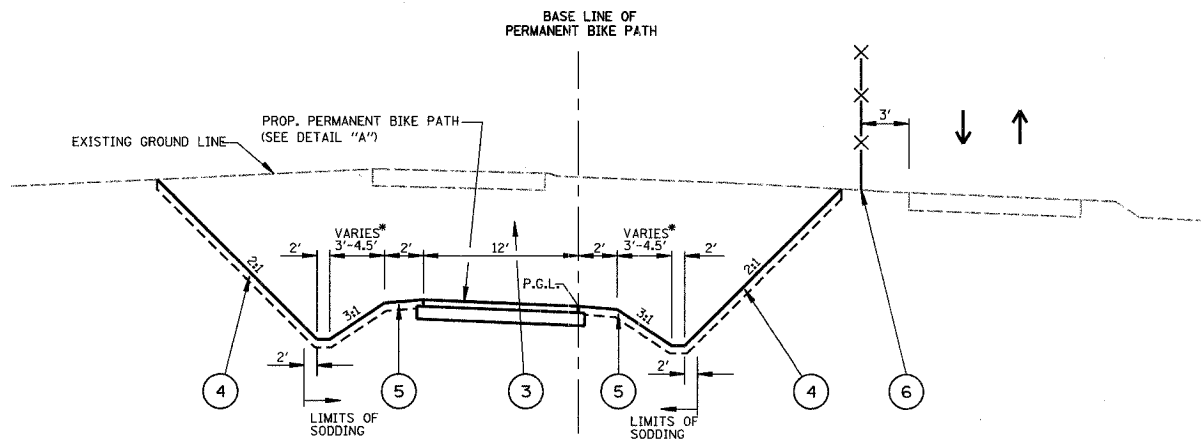
* REVERSE 2% SLOPE FROM STA. 213+50 TO STA. 214+35
TRANSITION CROSS SLOPE FROM STA. 214+35 TO STA. 214+55

** AGGREGATE SURFACE COURSE, TYPE A 6" - STA. 209+86.52 TO STA. 218+89.5
AGGREGATE SURFACE COURSE, TYPE A 8" - STA. 218+89.5 TO STA. 224+26.21



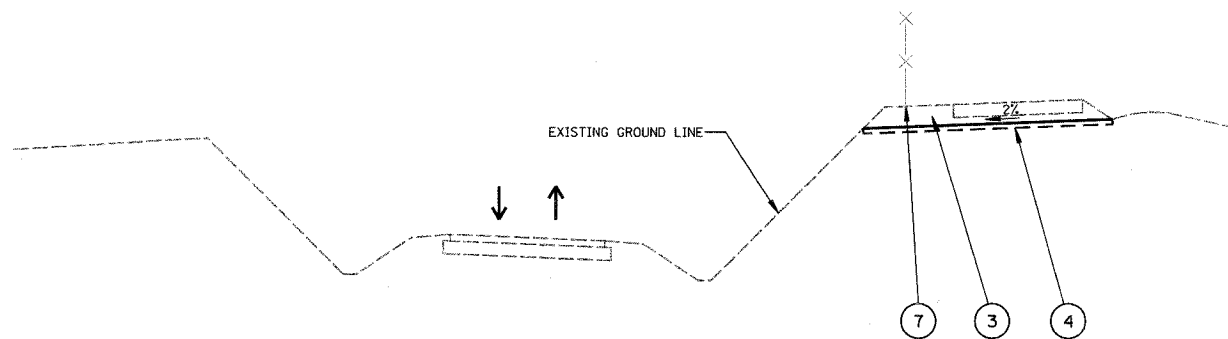
DETAIL "A"
TYPICAL SECTION - PERMANENT BIKE PATH

* REVERSE 2% SLOPE FROM STA. 106+00 TO STA. 112+95
TRANSITION CROSS SLOPE BETWEEN STA. 105+70 AND STA. 106+00



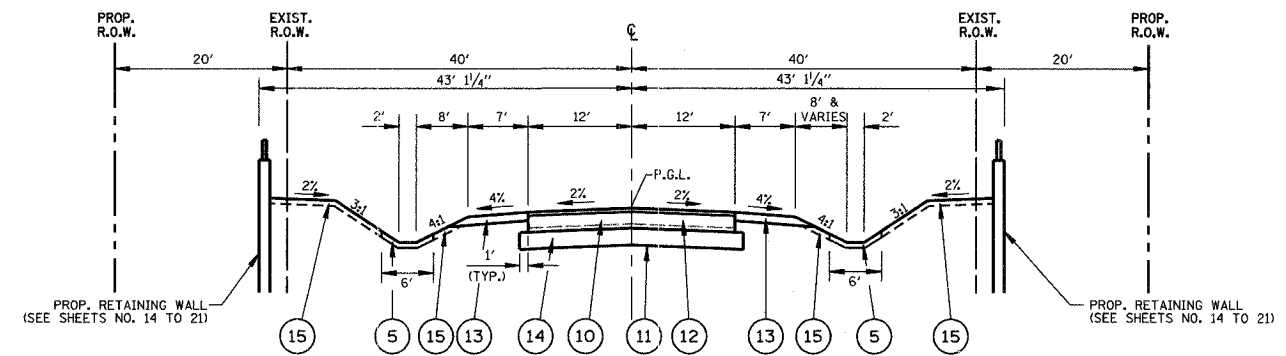
TYPICAL SECTION - STAGE 2

* 4.5' STA. 100+00 TO STA. 109+50
3' STA. 109+50 TO STA. 112+95



TYPICAL SECTION - STAGE 3

STA. 209+86.52 TO STA. 218+89.5
STA. 223+15 TO STA. 224+26.21
(AGGREGATE PATH REMAINS FROM STA. 218+89.5 TO STA. 223+15)



TYPICAL SECTION - MONAVILLE ROAD

STA. 22+80 TO STA. 25+00

SEE SHEETS NO. 14 TO 21 FOR UNDERPASS STRUCTURE

MIXTURE REQUIREMENT

PAY ITEM	AC TYPE	VOIDS
HOT-MIX ASPHALT PAVEMENT (FULL-DEPTH)		
HOT-MIX ASPHALT SURFACE COURSE, MIX "D", N70		
HOT-MIX ASPHALT BINDER COURSE, IL-19.0, N70		
HOT-MIX ASPHALT SURFACE COURSE, MIX "C", N50		

NOTE: THE UNIT WEIGHT TO CALCULATE ALL HOT-MIX ASPHALT SURFACE MIXTURES IS 112 LB/SY-IN.

LEGEND

- 1 AGGREGATE SURFACE COURSE, TYPE A
- 2 TEMPORARY EROSION CONTROL SEEDING EROSION CONTROL BLANKET
- 3 EARTH EXCAVATION
- 4 TOPSOIL FURNISH AND PLACE, 4" SEEDING, CLASS 4
- 5 TOPSOIL FURNISH AND PLACE, 4" SODDING
- 6 CHAIN LINK FENCE, 6'
- 7 FENCE REMOVAL
- 8 AGGREGATE BASE COURSE, TYPE A (6")
- 9 HOT-MIX ASPHALT SURFACE COURSE, MIX "C", N50 (3")
- 10 PAVEMENT REMOVAL
- 11 GEOTECHNICAL FABRIC FOR GROUND STABILIZATION
- 12 *HOT-MIX ASPHALT PAVEMENT (FULL DEPTH), 12"
- 13 AGGREGATE SHOULDERS, TYPE A (SPECIAL) (6" DEPTH)
- 14 AGGREGATE SUBGRADE, 12"
- 15 TOPSOIL FURNISH AND PLACE, 4" SEEDING, CLASS 2

P.G.L. PROFILE GRADE LINE

↓ ↑ PATH OPEN TO BIKE TRAFFIC

* 2" - HOT-MIX ASPHALT SURFACE COURSE, MIX "D", N70
10" - HOT-MIX ASPHALT BINDER COURSE, IL-19.0, N70

ILLINOIS DEPARTMENT OF TRANSPORTATION

MONAVILLE ROAD BIKE PATH UNDERPASS

TYPICAL SECTIONS

REVISIONS	
NAME	DATE

NOT TO SCALE

DESIGNED BY: D.J.K.
CHECKED BY: J.R.V.
DATE: 10/18/06