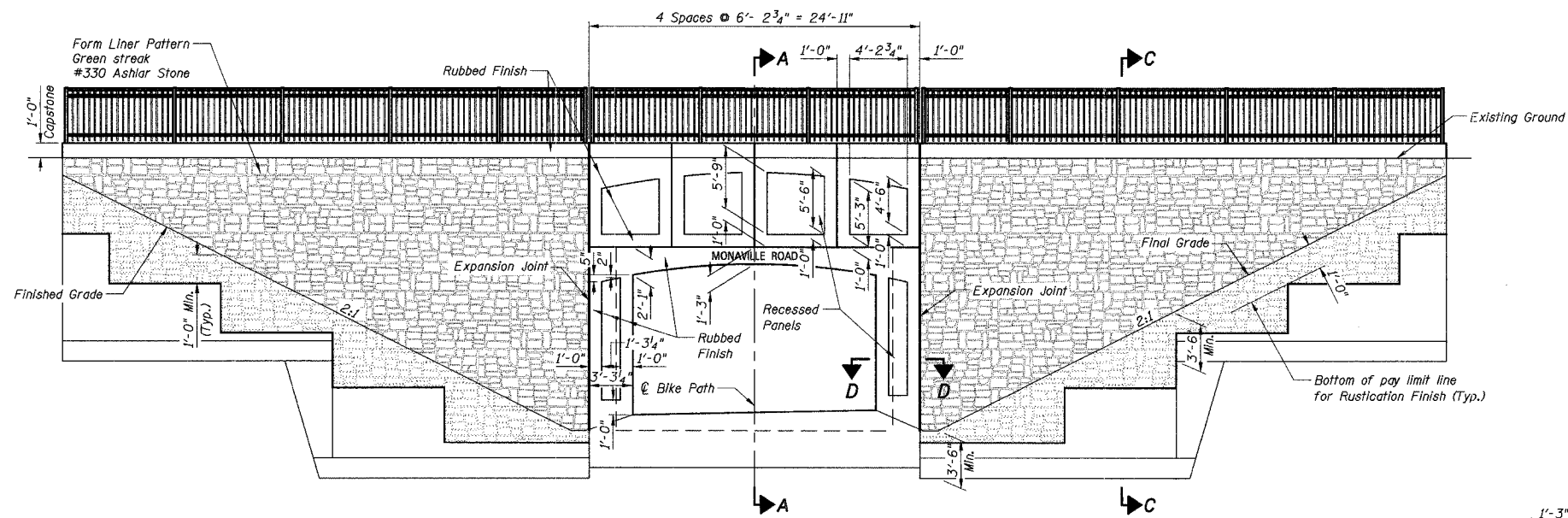
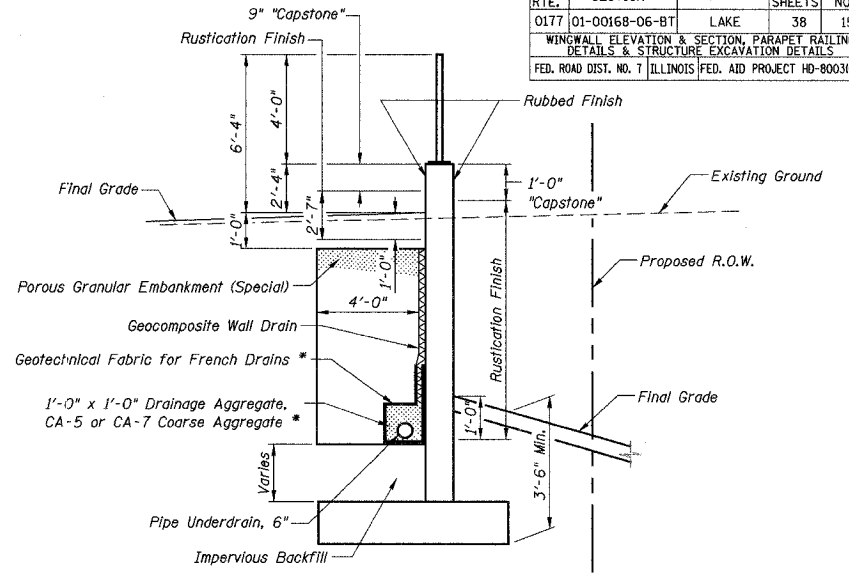


F.A.U. DIST.	SECTION	COUNTY	TOTAL SHEETS	SHEET NO.
0177	01-00168-06-BT	LAKE	38	15

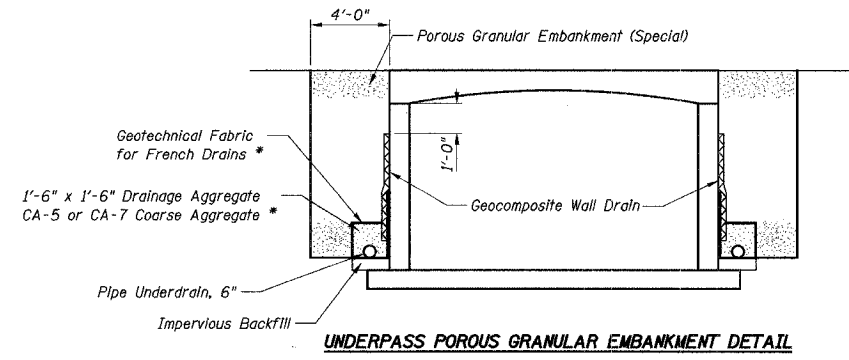
WINGWALL ELEVATION & SECTION, PARAPET RAILING DETAILS & STRUCTURE EXCAVATION DETAILS
 FED. ROAD DIST. NO. 7 ILLINOIS FED. AID PROJECT HD-80031695



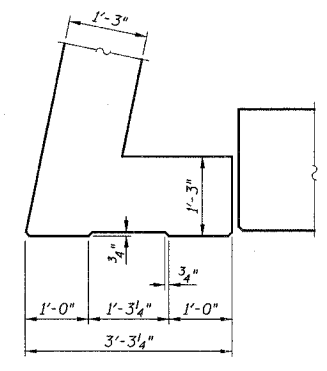
ELEVATION VIEW B-B
 The cost of constructing the recessed panels is included in Concrete Structures.



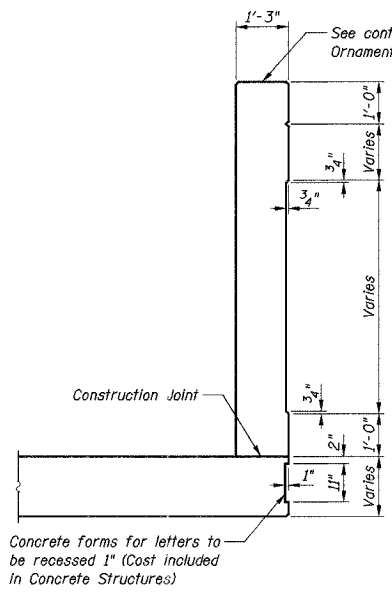
SECTION C-C
 * Included in the cost of Pipe Underdrain, 6"



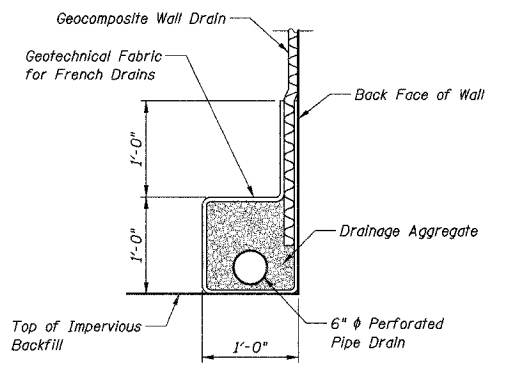
UNDERPASS POROUS GRANULAR EMBANKMENT DETAIL
 * Included in the cost of Pipe Underdrain, 6"



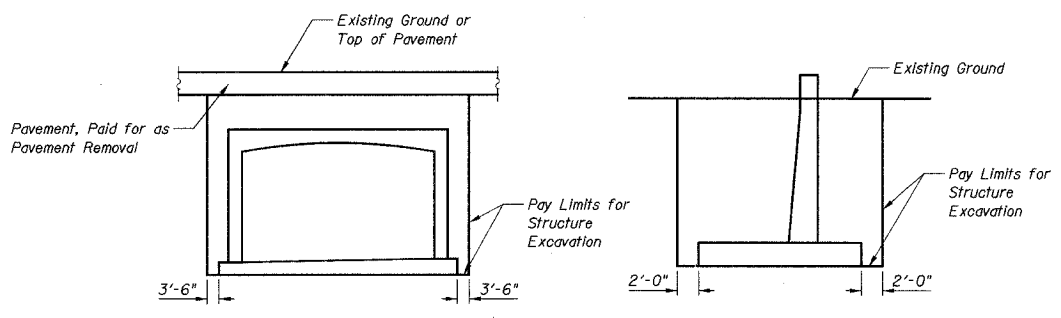
SECTION D-D



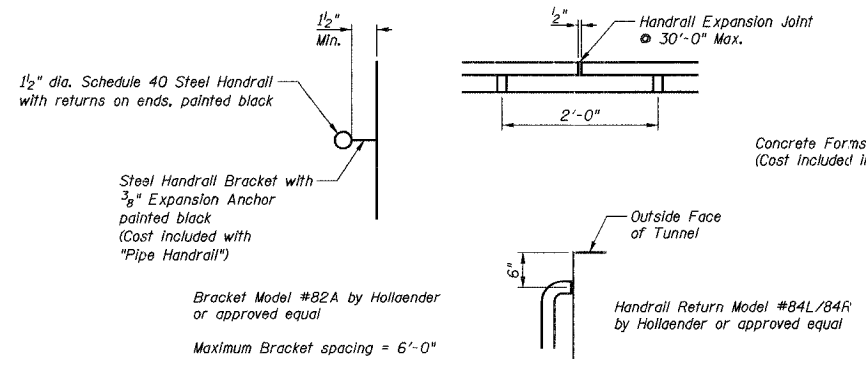
SECTION A-A



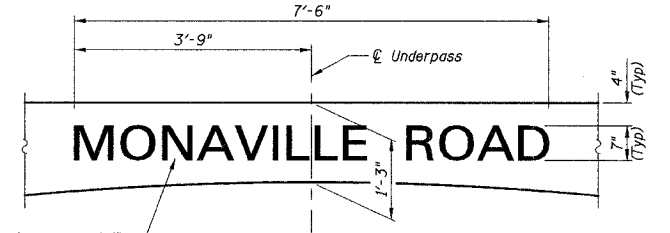
PIPE UNDERDRAIN DETAIL



UNDERPASS
WINGWALL
STRUCTURE EXCAVATION DETAIL



PIPE HANDRAIL DETAILS



TEXT DETAIL
 (Font Style to be Callisto MT)

REVISIONS	
NAME	DATE

ILLINOIS DEPARTMENT OF TRANSPORTATION
MONAVILLE ROAD BIKE PATH UNDERPASS
WINGWALL ELEVATION & SECTION,
PARAPET RAILING DETAILS &
STRUCTURE EXCAVATION DETAILS

NOT TO SCALE

CHECKED BY: O.J.H.
 DATE: 10/18/2006