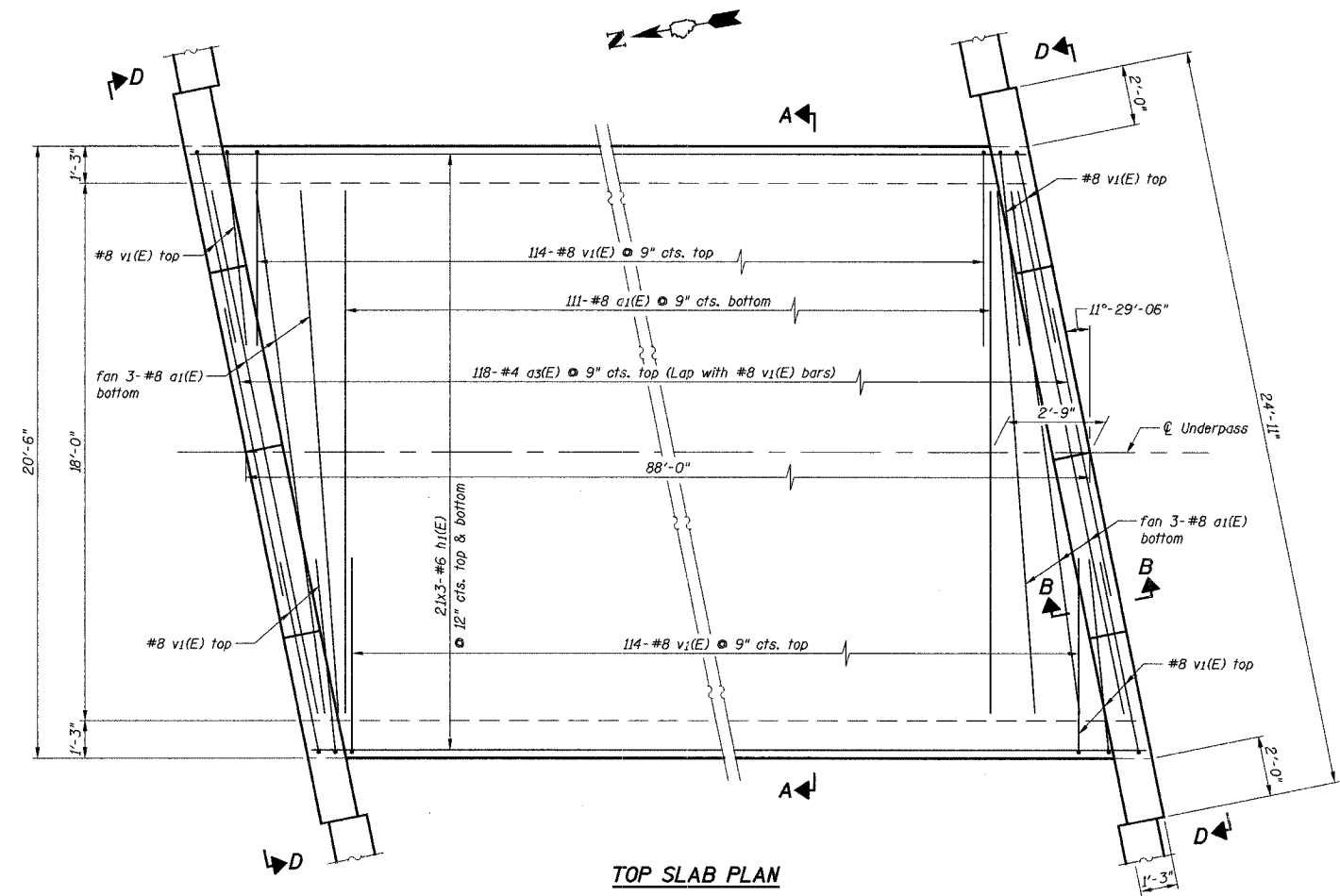
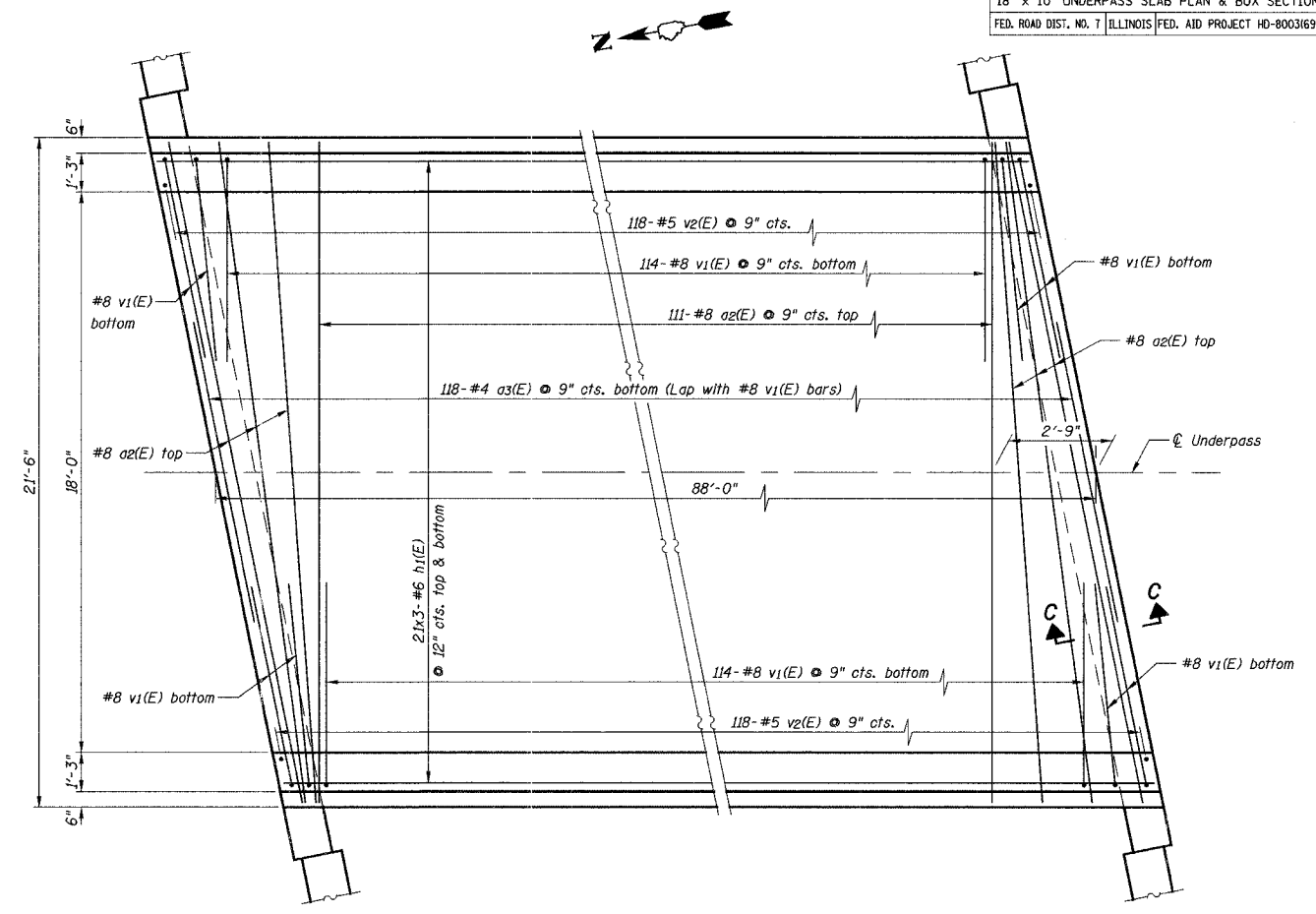


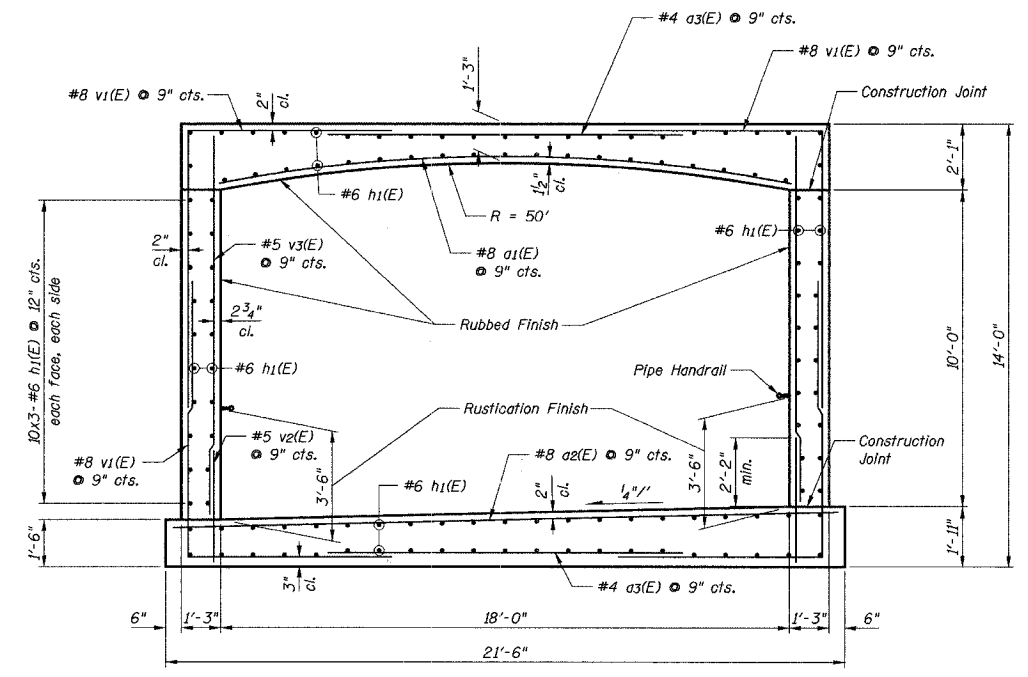
F.A.U. RTE.	SECTION	COUNTY	TOTAL SHEETS	SHEET NO.
0177	01-00168-06-BT	LAKE	38	16
18' x 10' UNDERPASS SLAB PLAN & BOX SECTION				
FED. ROAD DIST. NO. 7 ILLINOIS FED. AID PROJECT HD-80031695				



TOP SLAB PLAN



BOTTOM SLAB PLAN



SECTION A-A

NOTES
See Sheet 17 for Sections B-B and C-C and Elevation D-D.

REVISIONS	
NAME	DATE

ILLINOIS DEPARTMENT OF TRANSPORTATION
MONVILLE ROAD BIKE PATH UNDERPASS
18' x 10' UNDERPASS
SLAB PLAN & BOX SECTION
NOT TO SCALE
CHECKED BY: O.J.H.
DATE: 10/18/2006