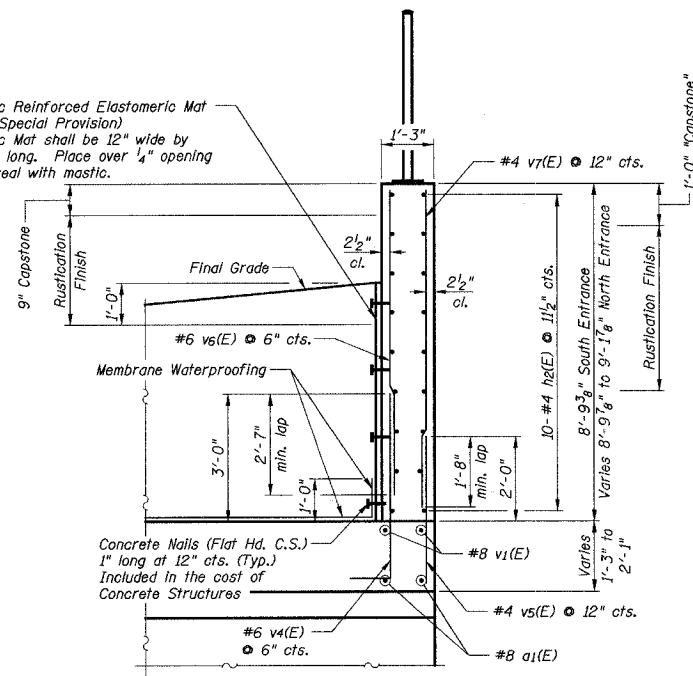
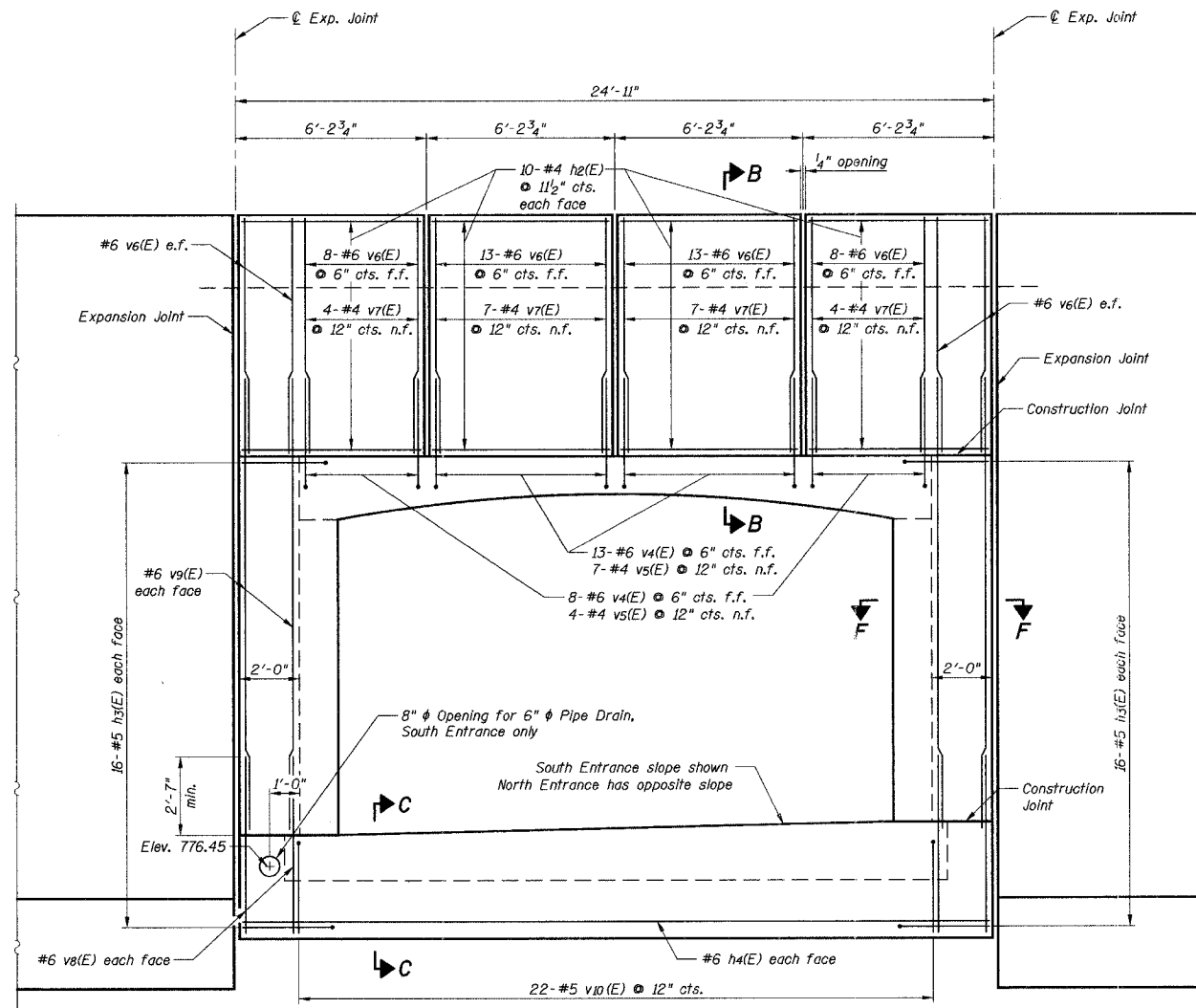


F.A. No.	SECTION	COUNTY	TOTAL SHEETS	SHEET NO.
0177	01-00168-06-BT	LAKE	38	17
18' x 10' UNDERPASS DETAILS & BILL OF REINF.				
FED. ROAD DIST. NO. 7 ILLINOIS FED. AID PROJECT HD-80031695				

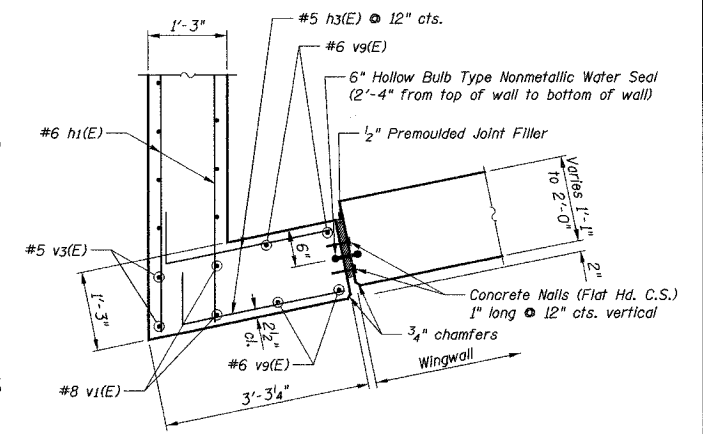
Fabric Reinforced Elastomeric Mat (See Special Provision)
Fabric Mat shall be 12" wide by 6'-8" long. Place over 1/4" opening and seal with mastic.



SECTION B-B



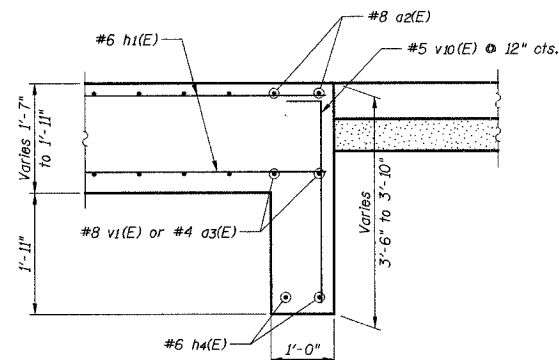
ELEVATION D-D



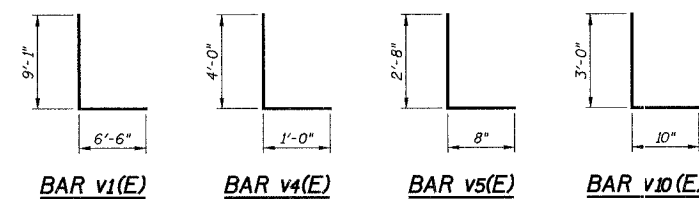
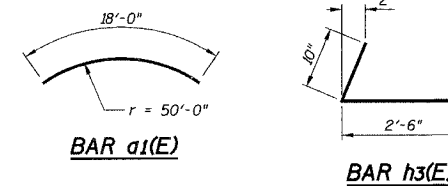
SECTION F-F

NOTES

f.f. = far face
n.f. = near face
e.f. = each face



SECTION C-C



18' X 10' UNDERPASS
BILL OF REINFORCEMENT

Bar	No.	Size	Length	Shape
a1(E)	117	8	18'-0"	—
a2(E)	117	8	21'-2"	—
a3(E)	236	4	10'-6"	—
h1(E)	372	6	31'-0"	—
h2(E)	160	4	5'-10"	—
h3(E)	128	5	3'-4"	—
h4(E)	4	6	24'-7"	—
v1(E)	472	8	15'-7"	—
v2(E)	236	5	3'-5"	—
v3(E)	236	5	11'-10"	—
v4(E)	84	6	5'-0"	—
v5(E)	44	4	3'-4"	—
v6(E)	100	6	8'-7"	—
v7(E)	44	4	8'-7"	—
v8(E)	16	6	6'-2"	—
v9(E)	16	6	15'-0"	—
v10(E)	44	5	3'-10"	—

REVISIONS	
NAME	DATE

ILLINOIS DEPARTMENT OF TRANSPORTATION
MONAVILLE ROAD BIKE PATH UNDERPASS
18' x 10' UNDERPASS
DETAILS &
BILL OF REINFORCEMENT

NOT TO SCALE
CHECKED BY: O.J.H.
DATE: 10/18/2006