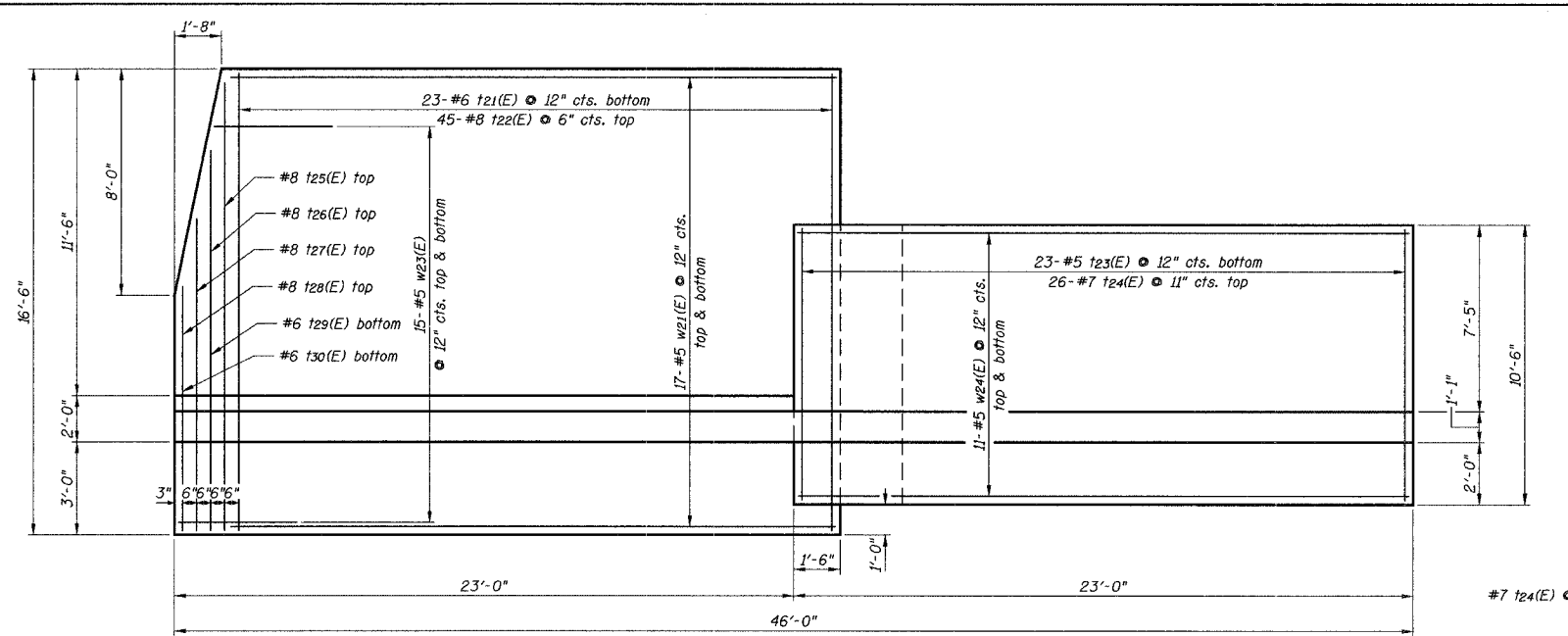
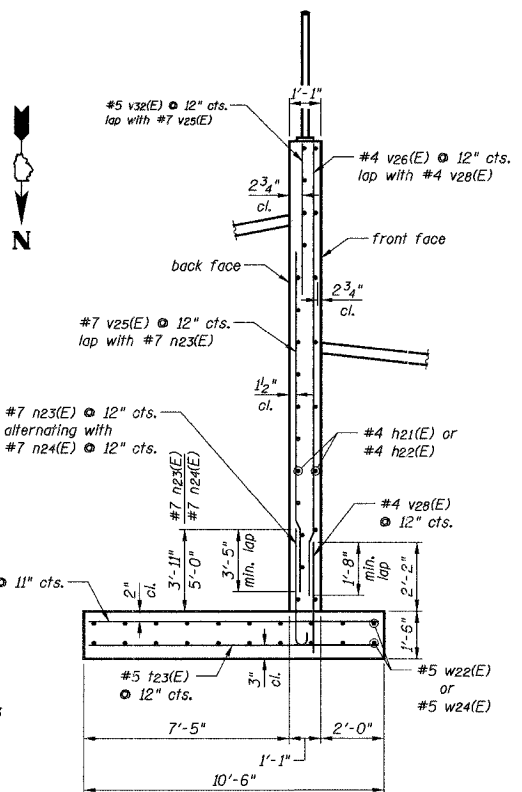


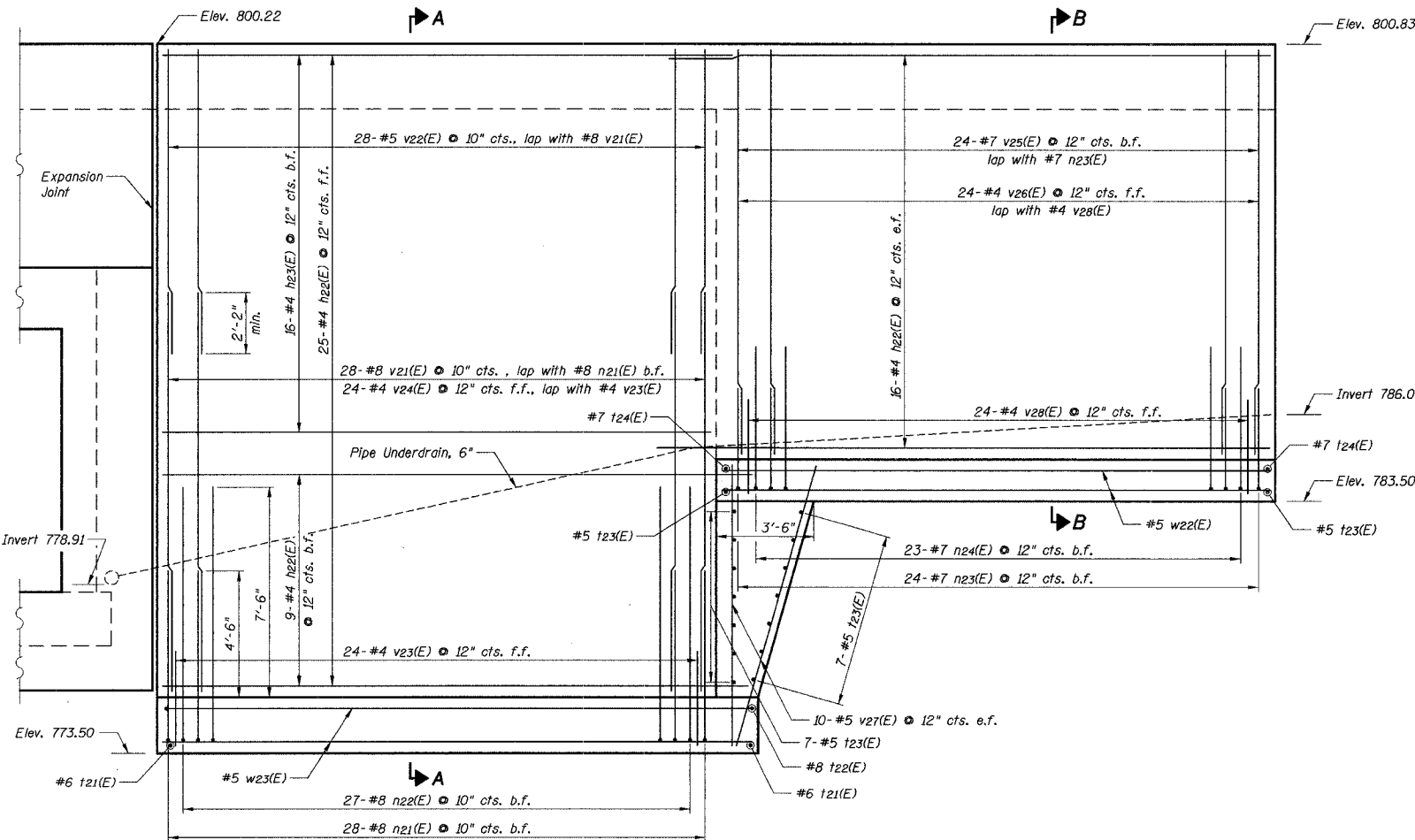
F.A.U. RTE.	SECTION	COUNTY	TOTAL SHEETS	SHEET NO.
0177	01-00168-06-BT	LAKE	38	18
NORTHWEST WINGWALL PLAN & ELEVATION				
FED. ROAD DIST. NO. 7 ILLINOIS FED. AID PROJECT HD-80031695				



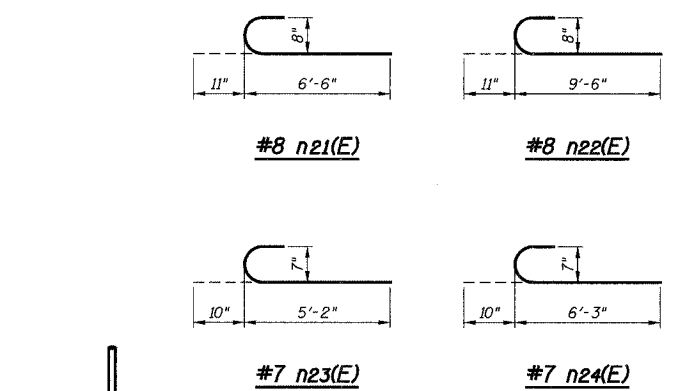
PLAN



SECTION B-B

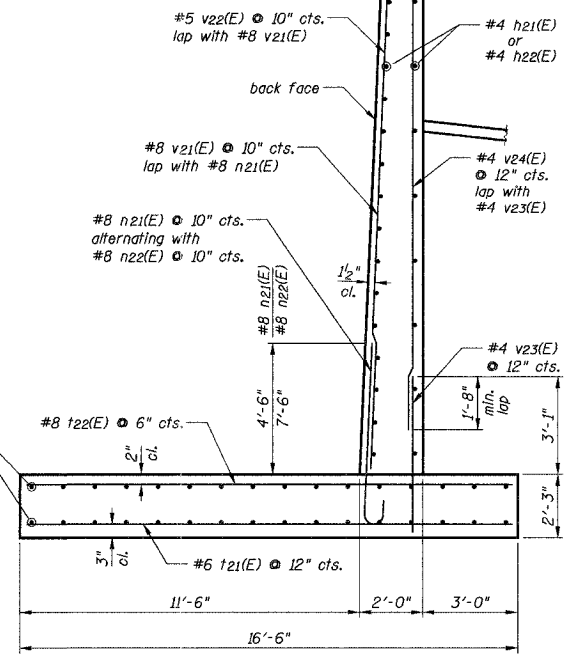


ELEVATION



BILL OF MATERIAL WINGWALLS

Bar	No.	Size	Length	Shape
h21(E)	193	#4	22'-2"	—
h22(E)	66	#4	24'-2"	—
h23(E)	16	#4	22'-8"	—
h24(E)	49	#4	20'-8"	—
n21(E)	104	#8	7'-5"	C
n22(E)	100	#8	10'-5"	C
n23(E)	90	#7	6'-0"	C
n24(E)	86	#7	7'-1"	C
t21(E)	90	#6	16'-2"	—
t22(E)	176	#8	16'-2"	—
t23(E)	145	#5	10'-2"	—
t24(E)	98	#7	10'-2"	—
t25(E)	2	#8	14'-0"	—
t26(E)	2	#8	12'-6"	—
t27(E)	2	#8	10'-6"	—
t28(E)	2	#8	8'-3"	—
t29(E)	2	#6	12'-6"	—
t30(E)	2	#6	8'-3"	—
v21(E)	106	#8	15'-3"	—
v22(E)	106	#5	11'-4"	—
v23(E)	90	#4	5'-1"	—
v24(E)	90	#4	23'-2"	—
v25(E)	90	#7	11'-10"	—
v26(E)	90	#4	15'-2"	—
v27(E)	80	#4	10'-1"	—
v28(E)	90	#4	3'-5"	—
v29(E)	4	#6	2'-4"	—
v30(E)	4	#6	9'-1"	—
v31(E)	16	#6	4'-6"	—
v32(E)	90	#5	5'-6"	—
w21(E)	102	#5	22'-2"	—
w22(E)	66	#5	20'-8"	—
w23(E)	60	#5	4'-6"	—
w24(E)	22	#5	22'-8"	—
w25(E)	34	#5	20'-6"	—



SECTION A-A

Notes:
 b.f. = back face
 f.f. = front face
 e.f. = each face

REVISIONS	
NAME	DATE

ILLINOIS DEPARTMENT OF TRANSPORTATION
 MONAVILLE ROAD BIKE PATH UNDERPASS
 NORTHWEST WINGWALL
 PLAN & ELEVATION

NOT TO SCALE

CHECKED BY: O.J.H.
 DATE: 10/18/2006