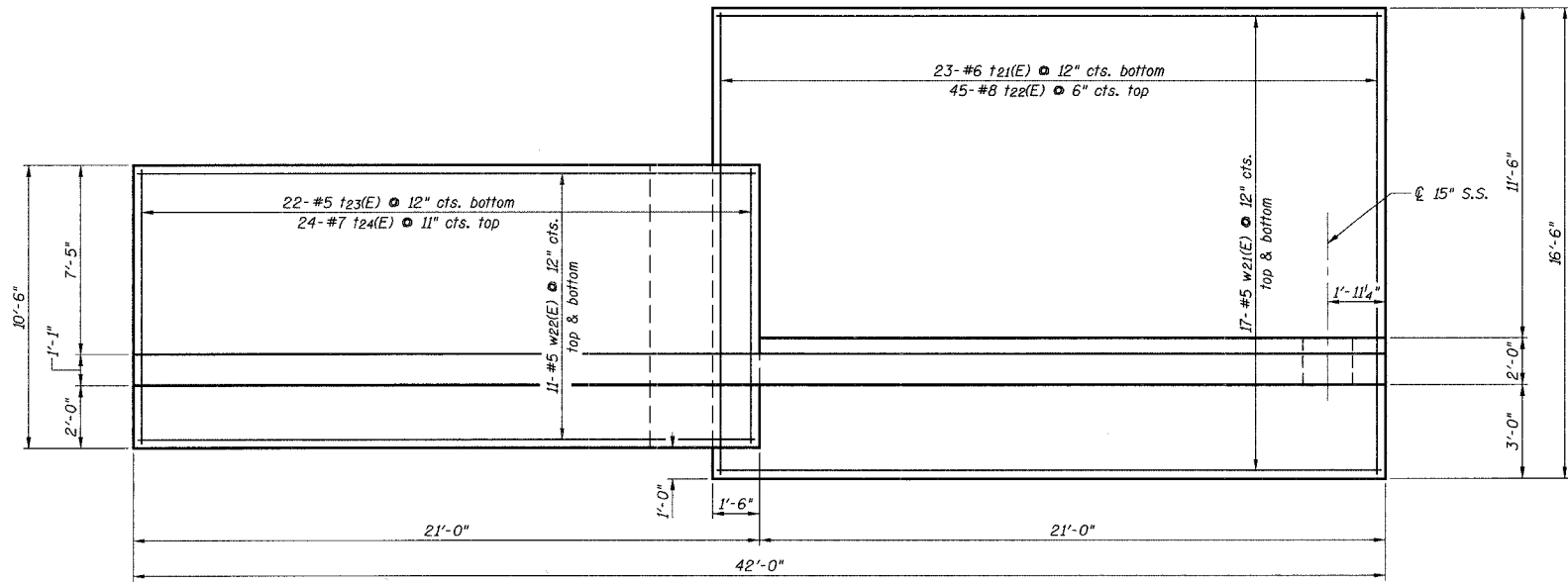
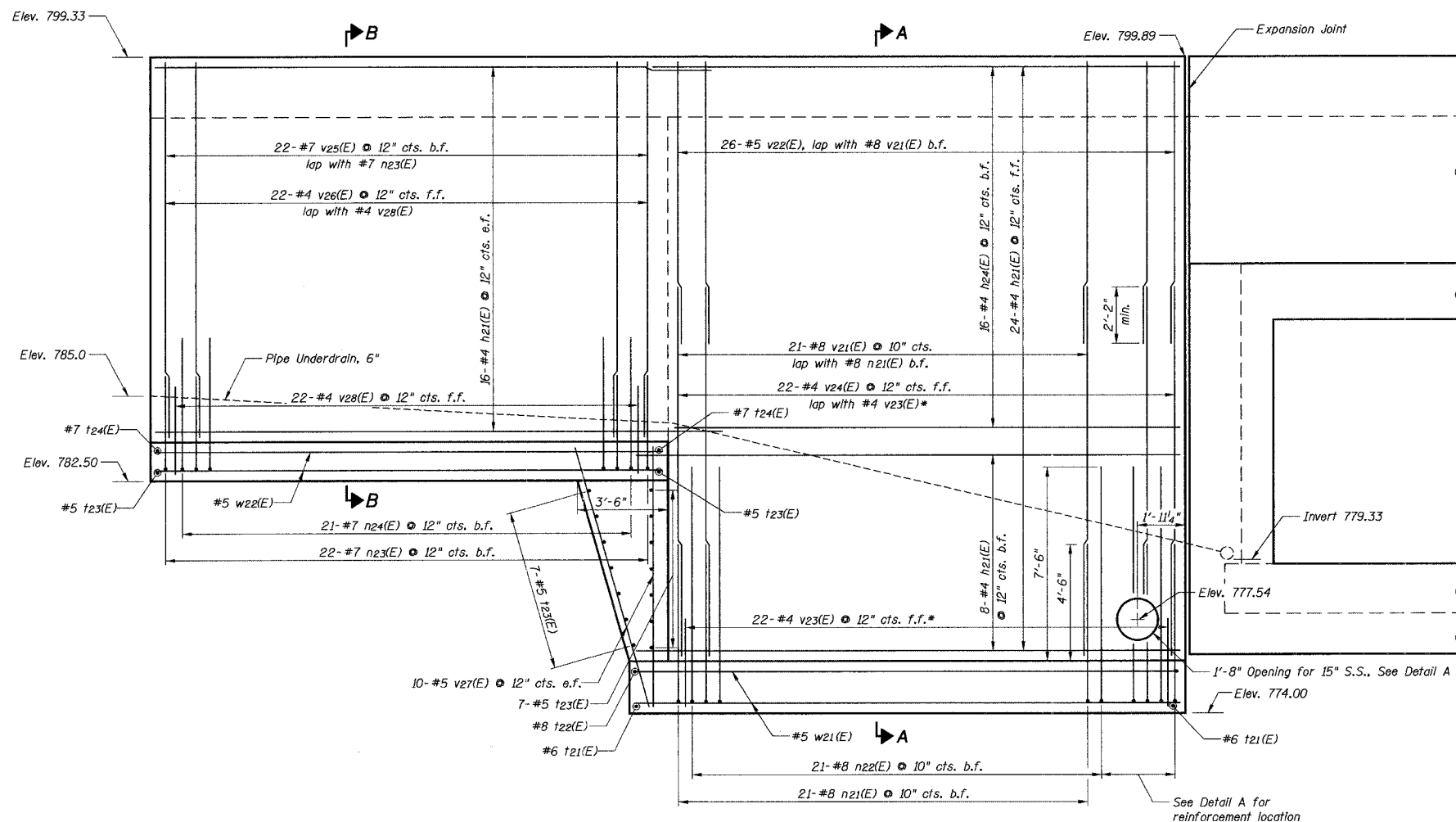


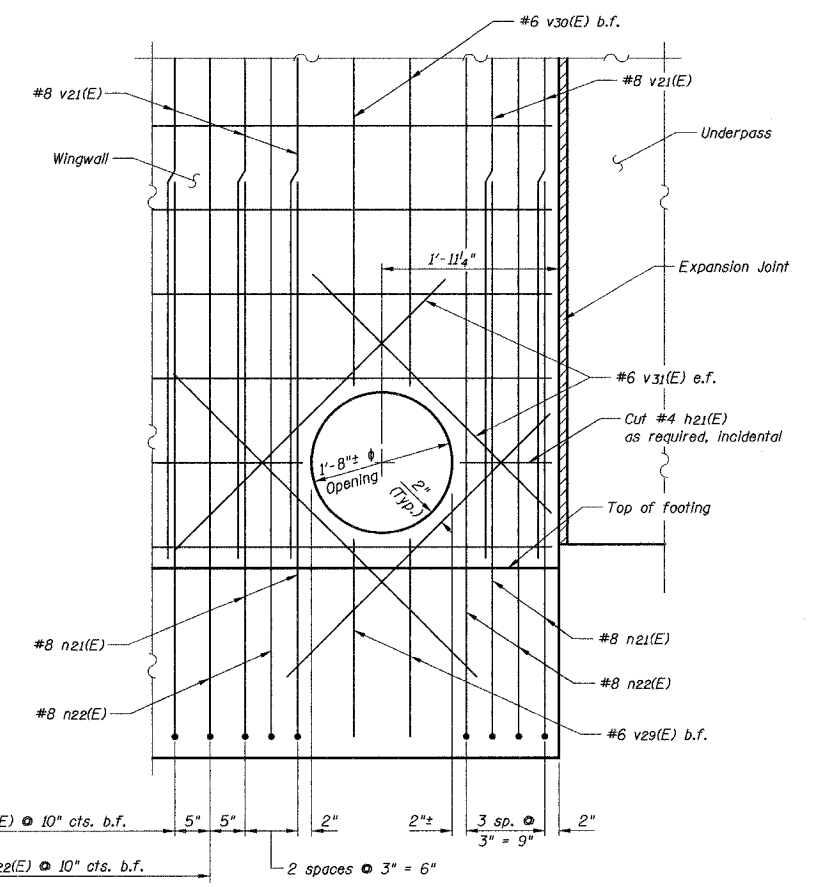
F.A.U. SECTION	COUNTY	TOTAL SHEETS	SHEET NO.
0177 01-00168-06-BT	LAKE	38	19
NORTHEAST WINGWALL PLAN & ELEVATION			
FED. ROAD DIST. NO. 7 ILLINOIS FED. AID PROJECT HD-800316959			



PLAN



ELEVATION



DETAIL A

Northeast wingwall is shown. Southeast wingwall is similar.

Notes:

See Sheet 18 for Sections A-A and B-B.

b.f. = back face
f.f. = front face
e.f. = each face

REVISIONS	
NAME	DATE

ILLINOIS DEPARTMENT OF TRANSPORTATION
MONAVILLE ROAD BIKE PATH UNDERPASS
NORTHEAST WINGWALL
PLAN & ELEVATION

NOT TO SCALE

CHECKED BY: O.J.H.
DATE: 10/18/2006