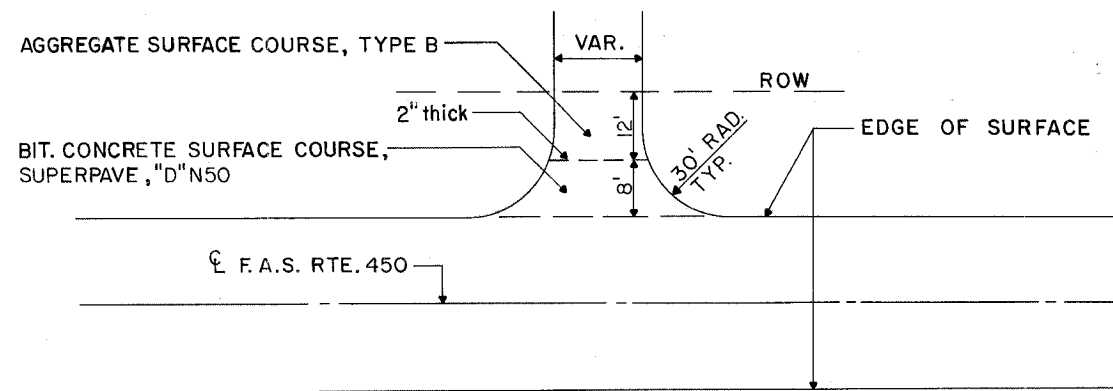


SUMMARY OF QUANTITIES

CONSTRUCTION CODE: 1000

CODE NO.	ITEM	UNIT	QUANT.
40200800	AGGREGATE SURFACE COURSE, TYPE B	TON	90.0
40600100	BITUMINOUS MATERIALS (PRIME COAT)	GALS.	2,148.0
40600300	AGGREGATE (PRIME COAT)	TON	79.0
48101200	AGGREGATE SHOULDERS, TYPE B	TON	912.0
63000005 *	STEEL PLATE BEAM GUARDRAIL, TYPE B	FOOT	2,812.5
63200710	STEEL PLATE BEAM GUARDRAIL REMOVAL, TYPE A	FOOT	1,900.0
67100100	MOBILIZATION	L. SUM	1.0
70101700	TRAFFIC CONTROL AND PROTECTION	L. SUM	1.0
70300100	SHORT-TERM PAVEMENT MARKING	FOOT	2,713.0
70301000	WORK ZONE PAVEMENT MARKING REMOVAL	SQ. FT.	905.0
78008210 *	POLYUREA PAVEMENT MARKING, TYPE 1 - LINE 4"	FOOT	37,841.0
LR631020 *	TRAFFIC BARRIER TERMINAL, TYPE 1	EACH	10.0
40603335	HOT-MIX ASPHALT SURFACE COURSE, MIX "D", N50	TON	2,971.0
40600625	LEVELING BINDER (MACHINE METHOD), N50	TON	2,005.0
40800050	INCIDENTAL HOT-MIX ASPHALT SURFACING	TON	142.0
XX000405	BUTT JOINTS, SPECIAL	SQ. YD.	294.0
* Specialty Items			

ENTRANCE DETAIL



18 ENTRANCES AT 5 TONS = 90 TONS AGG. SURF. CSE., TY. B
 18 ENTRANCES AT 5 TONS = 90 TONS INCEDENTIAL HOT-MIX ASPHALT
 4 MAILBOX TURNOUTS AT 3 TONS = 12 TONS INCEDENTIAL HOT-MIX ASPHALT

PAVEMENT DESIGN DATA

PCC PAVEMENT SECTION

S.D.T. (2014) 1083 v.p.d. 15 Yr D.P.
 T.F. 0.500
 SN 2.87
 IBV 2.0
 (P.V. 95%, S.U. 3.5%, M.U. 1.5%)

BITUMINOUS SECTION

S.D.T. (2014) 1083 v.p.d. 15 Yr D.P.
 T.F. 0.080
 SN 3.15
 IBV 2.0
 (P.V. 95%, S.U. 3.5%, M.U. 1.5%)

Rate of application for Prime Coat

On Existing Pavement: 0.05 Gal/Sq. Yd.
 On Cold Milled Surface: 0.10 gals./sq. yd.
 On New Binder: 0.03 Gal/Sq. Yd.

Rate of application for Aggregate (Prime Coat)

On Existing Pavement: 4 lbs./sq. yd.
 On Cold Milled Surface: 4 lbs./sq. yd.
 On New Binder: 2 lbs./sq. yd.

BITUMINOUS MIXTURE REQUIREMENTS

Mixture Use(s)	Surface Course	Leveling Binder
AC/PG	64-22	64-22
RAP%	15%	15%
Design Air Voids	4.2% @ N = 50	4.2% @ N = 50
Mixture Composition	IL 9.5	IL 9.5
Friction Aggregate	Mixture "D"	N/A

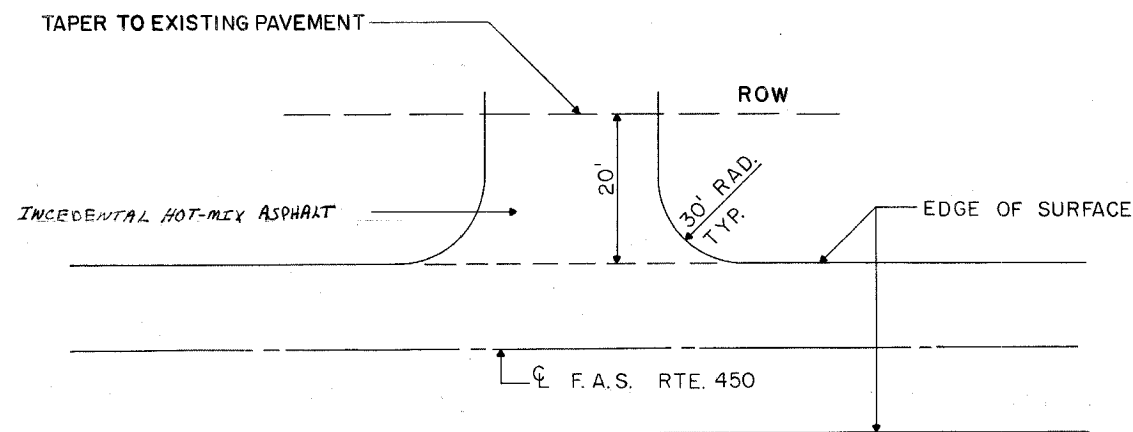
Steel Plate Beam Guardrail Stations

Left	Right	to	Total Feet
19+06.25	23+43.75		437.5
42+91.5	51+66.5		875.0
45+17	53+04.5		787.5
85+81	89+93.5		412.5
85+41	88+41		300.0
TOTAL LENGTH			2812.5

Traffic Barrier Terminal, Type 1 Stations

Left	Right	to
18+81.25	19+06.25	
23+43.75	23+68.75	
42+66.5	42+91.5	
51+66.5	51+91.5	
44+92	45+17	
53+04.5	53+29.5	
85+56	85+81	
89+93.5	90+18.5	
85+16	85+41	
88+41	88+66	

INTERSECTION DETAIL



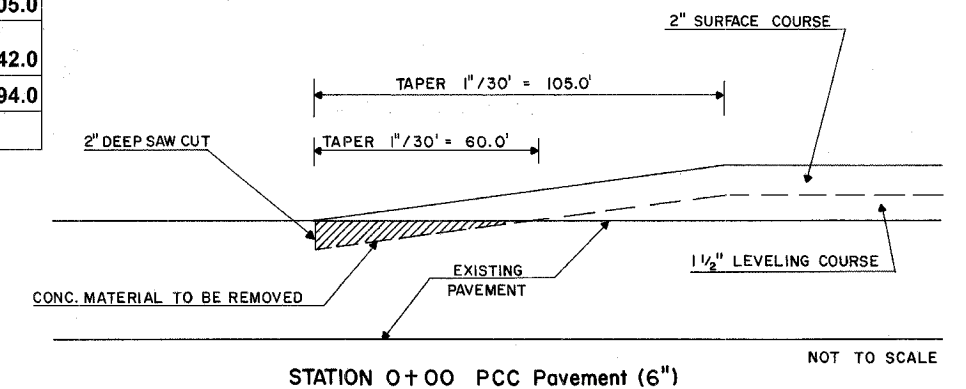
4 INTERSECTIONS AT 10 TONS
 TOTAL = 40 TONS

POLYUREA PAVEMENT MARKING BREAKDOWN

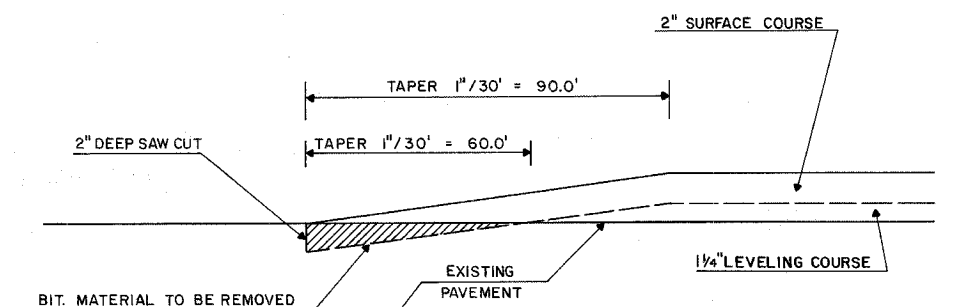
4" Yellow - Centerline 16,436 Feet
 4" White - Edge Stripe 21,405 Feet
 TOTAL 37,841 Feet

BUTT JOINT DETAIL

Stations
 0 + 00
 108 + 50



STATION 0 + 00 PCC Pavement (6")



STATION 108 + 50 BIT. CONC. SURF. CSE., CL. 1, 2"