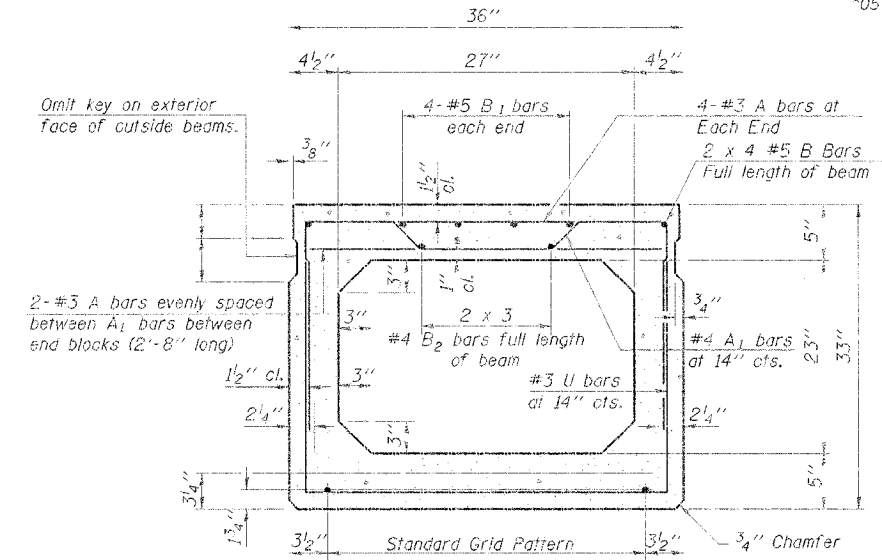
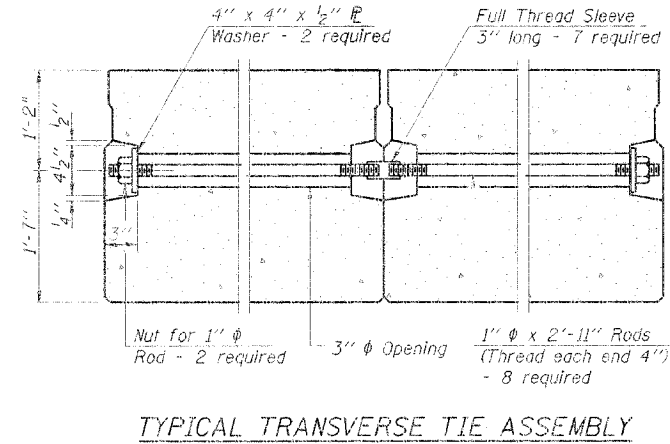
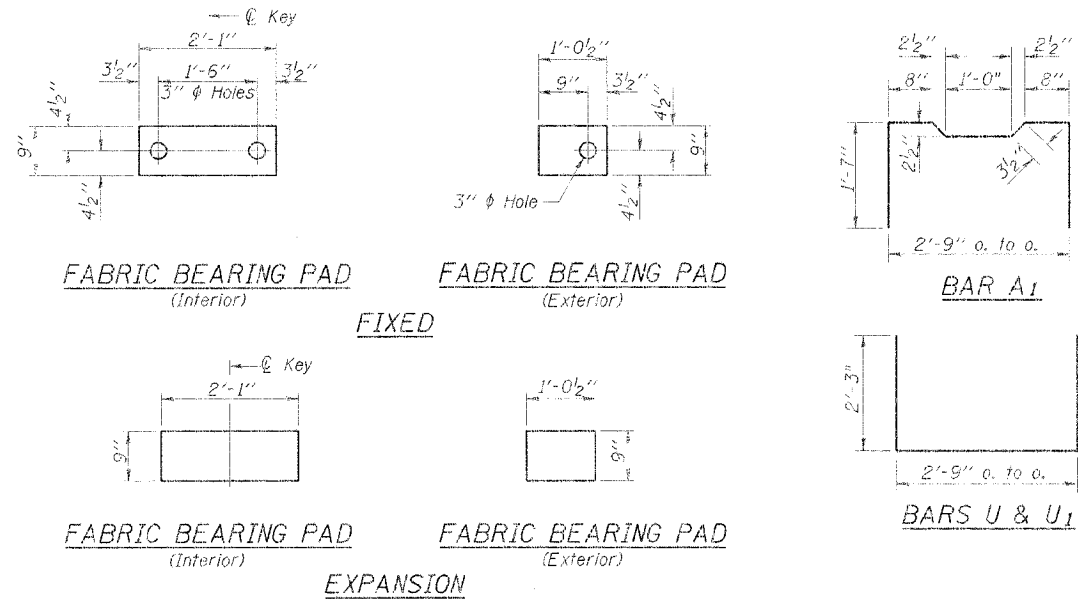
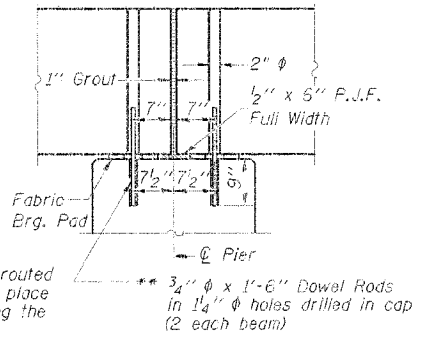
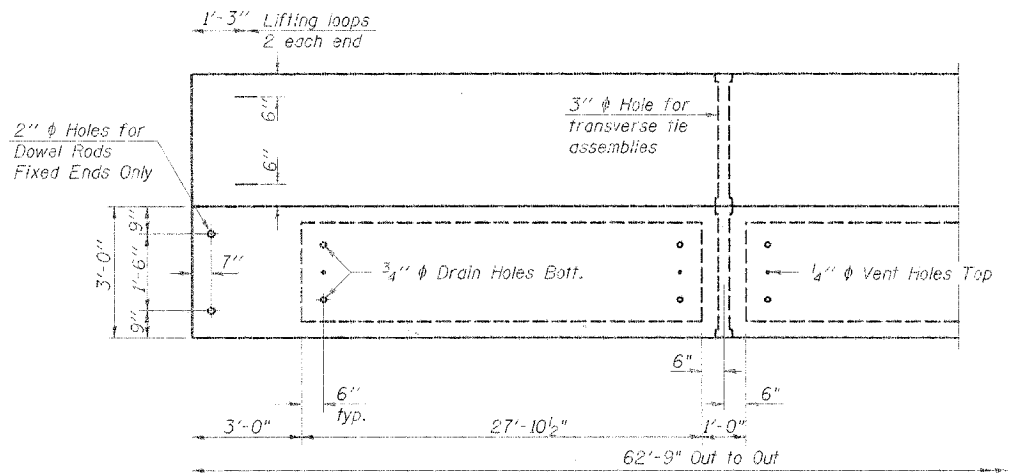


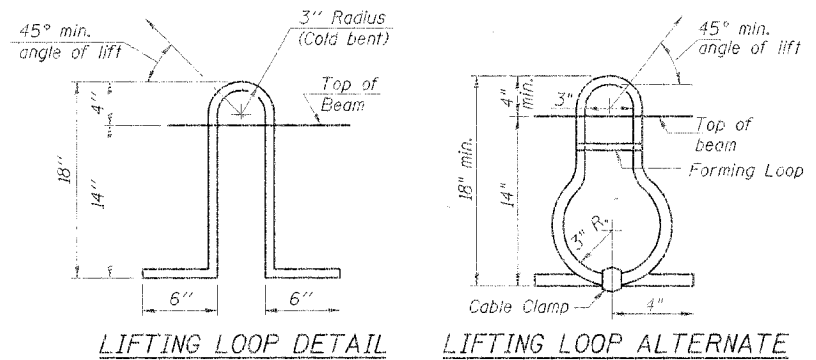
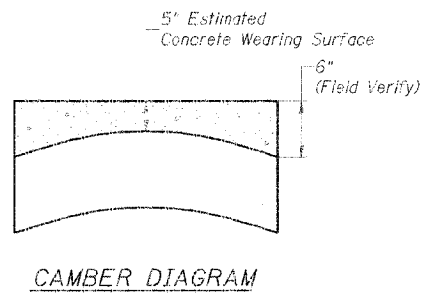
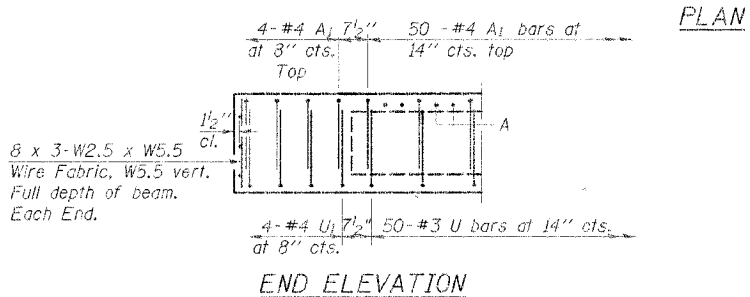
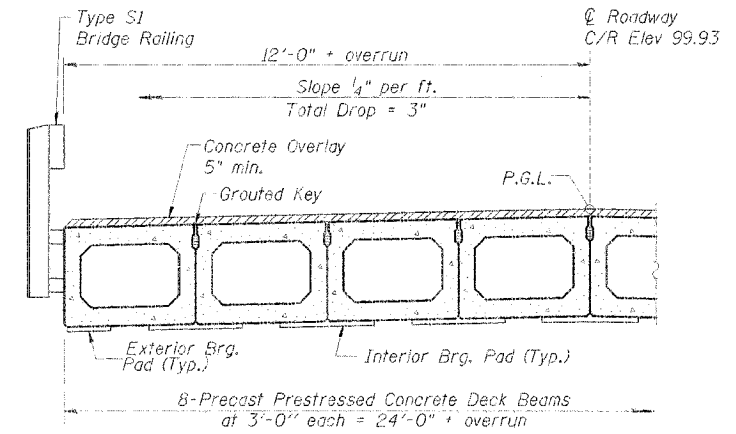
NO. 460	SECTION	QUANTITY	DATE	PROJECT
FAS 460	*	FULTON	15	9
REV. HEAD EXIST. S. 17				
*05-00131-00-BR				



TYPICAL SECTION
 13 - 1/2" ϕ Strands, Each Strand Stressed to 30,900 Lbs.
 9 - Strands 1 3/4" up, 4 - Strands 3/4" up
 Note: Place strands symmetrically about ϕ of beam.



**Dowel rods to be grouted after beams are in place and prior to grouting the shear keys



NOTES

Prestressing steel shall be uncoated high strength, low relaxation 7-wire strand, Grade 270. The nominal diameter shall be 1/2" and the nominal cross-sectional area shall be 0.153 sq. in. Lifting loops shall be 3/4" diameter - 2" ϕ -270 ksi strands, as shown. The 1" ϕ rods in the transverse tie assembly shall be tightened to a snug fit and the threads set. Pockets that receive transverse tie bar on outside shall be filled with grout after transverse tie assembly is in place. Non prestressing steel shall conform to AASHTO M-31, M-42 or M-53 Grade 60. The bearing seat surfaces shall be adjusted by shimming to assure firm and even bearing. Two 1/8" fabric adjusting shims of the dimensions of the Exterior Bearing Pad shall be provided for each bearing. Keyway surfaces shall be cleaned to remove form oil or other bond breaking material prior to shipment of the beams. Cleaning shall be done by sandblasting the keyway areas between top of the beam and the bottom edge of the key. Corrosion Inhibitor, as covered in the Special Provisions, shall be used in the concrete for precast prestressed concrete deck beams. Required Release Strength, f'ci, shall be 4,000 p.s.i.

BILL OF MATERIAL-ONE BEAM

Bar	No.	Size	Length	Shape
A	106	#3	2'-8"	
A1	58	#4	6'-1"	
B	8	#5	18'-3"	
B1	8	#5	12'-7"	
B2	6	#4	24'-8"	
U	50	#3	7'-3"	
U1	8	#4	7'-3"	
Precast Prestressed Conc. Deck Bms.				Sq. Ft. 1,506*

* Total quantity of beams for 1 span

DSGN	K.J. Hoffmann				
DR	K.J. Hoffmann				
CHK	J. Wolf				
APVD	A. Frauenthoffer	NO.	DATE	REVISION	BY

FRAUENTHOFFER
 Frauenthoffer and Associates, P.C. Consulting Engineers
 3002 Crossing Court Champaign, IL 61822 217-351-6268

SUPERSTRUCTURE DETAILS - SPAN 2		SHEET 9
COUNTY HIGHWAY 14 SECTION 05-00131-00-BR FULTON COUNTY		DWG NO. 5047-SU-3.dgn DATE AUG 2006 PROJ NO. 5047