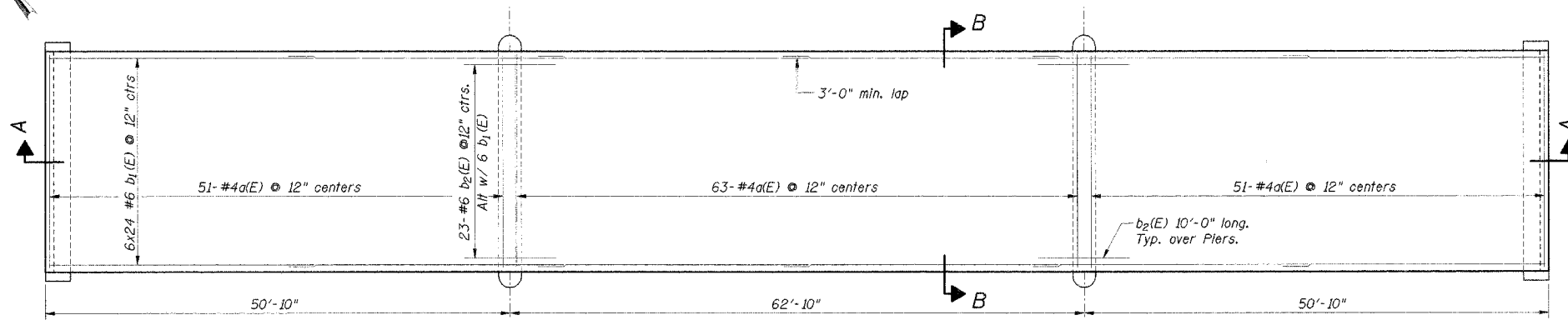


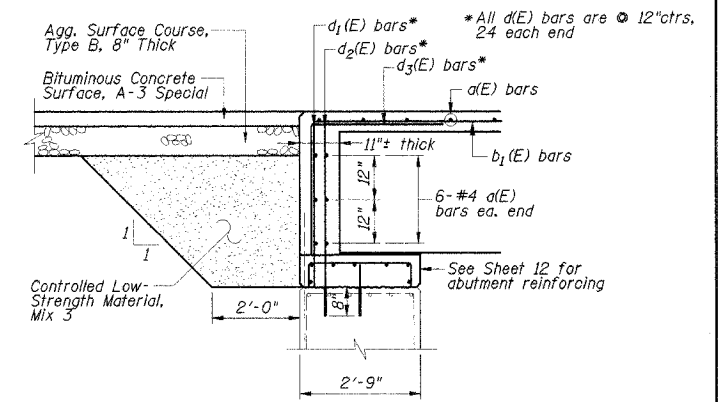
PROJECT NO.	SECTION	COUNT	TOTAL SHEETS	SHEET NO.
FAS 460	*	FULTON	13	10
FED. ROAD DIST. NO. 7	BUILDING	FED. AID PROJECT		

*05-00131-00-BR

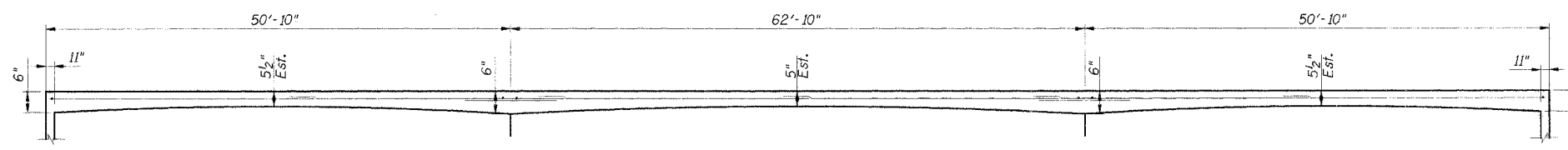
Reinforcement bars designated "(E)" shall be epoxy coated.



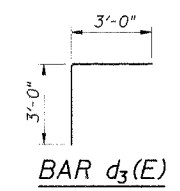
PLAN VIEW



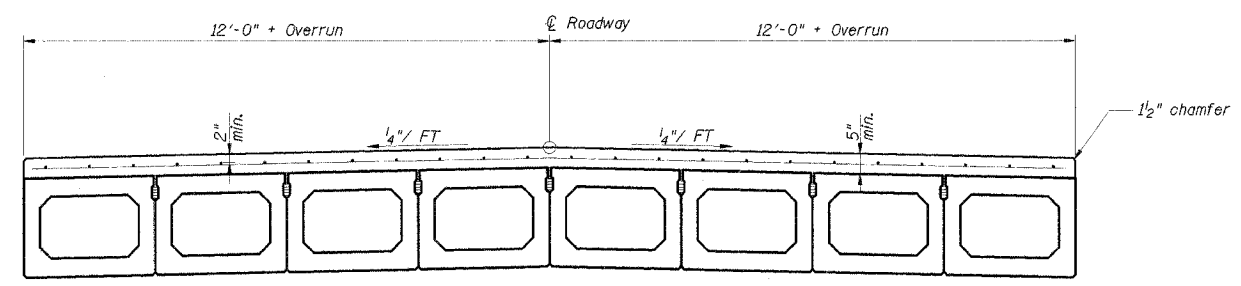
ABUTMENT DETAIL



SECTION A-A
(Exaggerated Vertical Scale)



BAR d₃(E)



SECTION B-B

BILL OF MATERIAL				
Bar	No.	Size	Length	Shape
a(E)	177	# 4	23'-6"	—
b ₁ (E)	144	# 6	30'-0"	—
b ₂ (E)	46	# 6	10'-0"	—
d ₁ (E)	48	# 4	3'-7"	—
d ₂ (E)	48	# 4	4'-3"	—
d ₃ (E)	48	# 4	6'-0"	—
Concrete Superstructure			Cu. Yds.	77.0
Bridge Deck Grooving			Sq. Yds.	439
Protective Coat			Sq. Yds.	439
Reinforcement Bars Epoxy Coated			Lbs.	10,410

DSGN	K.J. Hoffmann				
DR	K.J. Hoffmann				
CHK	J.A. Fraenhoffer				
APVD	J.A. Fraenhoffer	NO.	DATE	REVISION	BY

FRAUENHOFFER
 Fraenhoffer and Associates, P.C. Consulting Engineers
 3002 Crossing Court Champaign, IL 61822 217-351-6268

CONCRETE WEARING SURFACE DETAILS	SHEET 10
COUNTY HIGHWAY 14	DWG NO. 5047-over.dgn
SECTION 05-00131-00-BR	DATE AUG 2006
FULTON COUNTY	PROJ NO. 5047