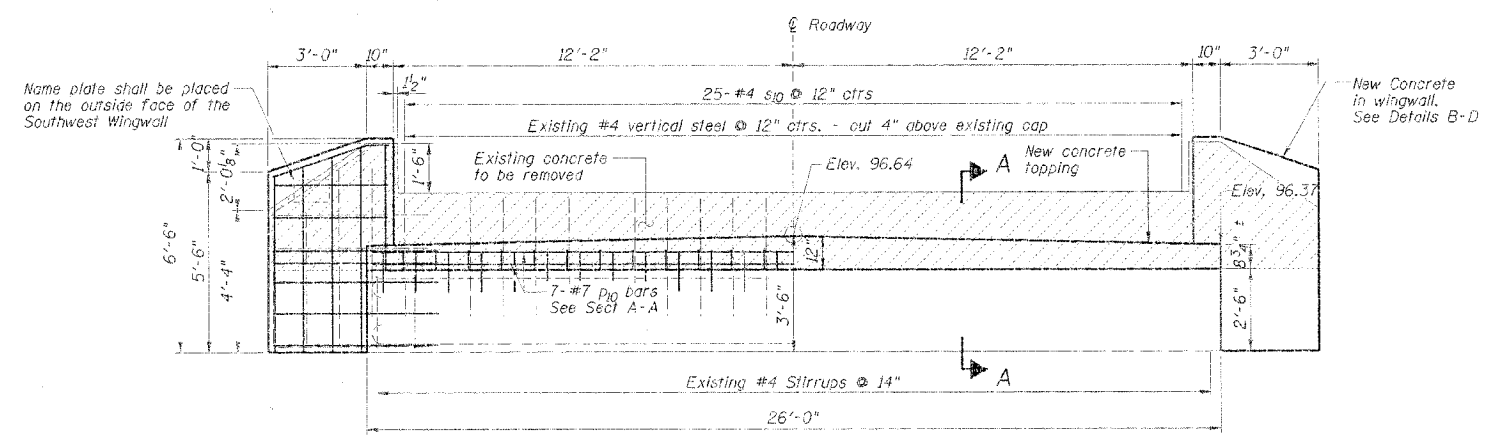


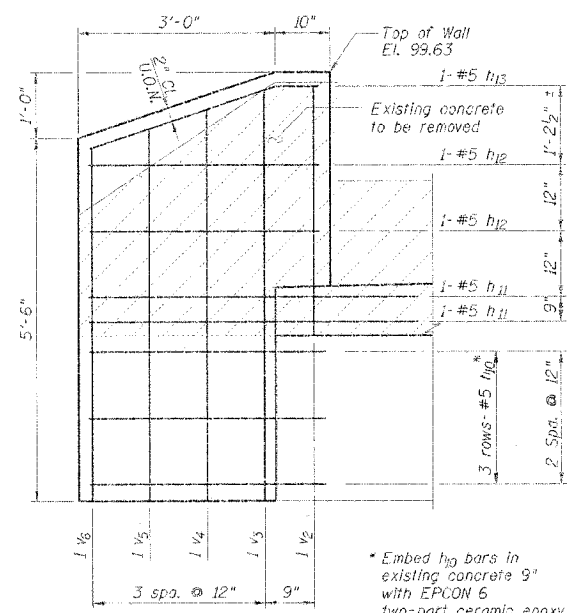
**PLAN**

(Symmetrical about C)  
 Back NW Abut. @ Sta 9+11.75  
 Back SE Abut. @ Sta 10+76.25



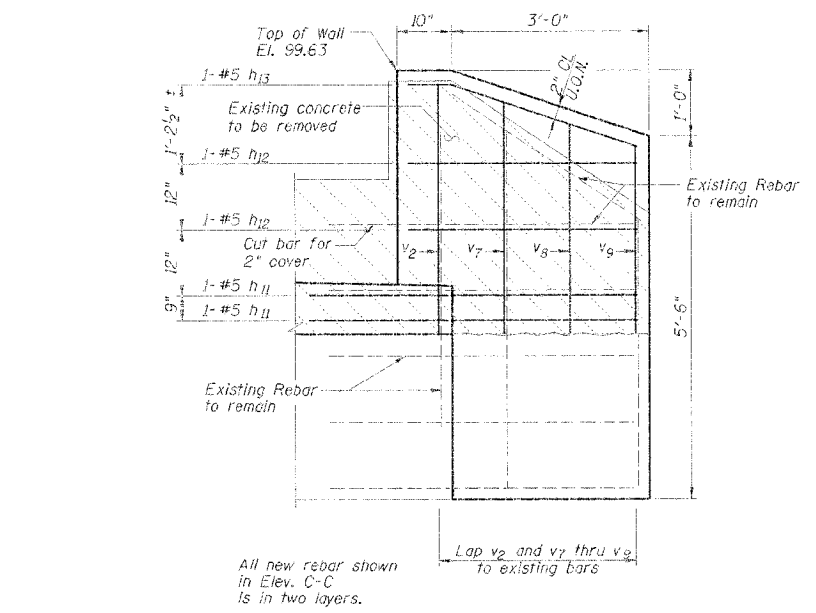
**ELEVATION**

Symmetrical about C



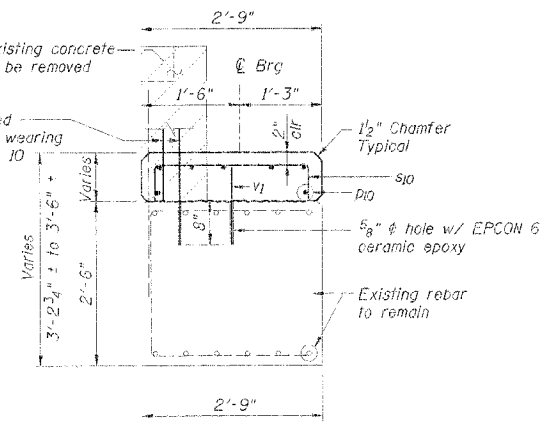
**ELEV. B-B**

Wingwalls shall be poured after beams are in place.



**ELEV. C-C**

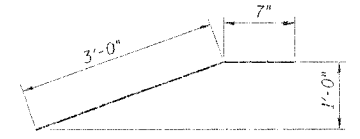
Wingwalls shall be poured after beams are in place.



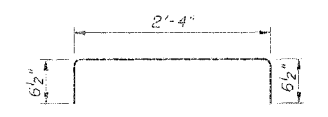
**SECTION A-A**

(Perpendicular to C of Abutment)

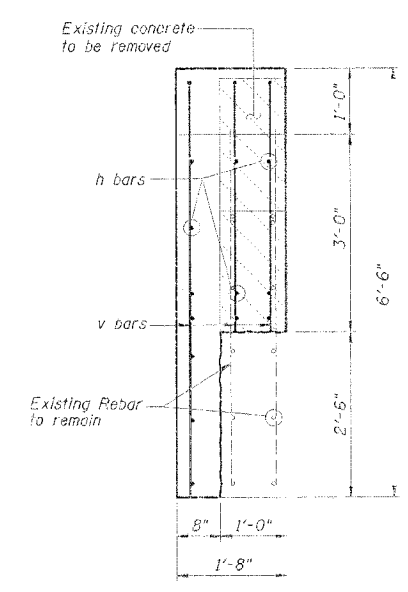
- NOTES:**
- All surfaces in which new concrete will be cast against shall be bushhammered. Any cracked or loose material shall be removed with a chipping hammer. Surfaces shall be cleaned prior to casting. The cost of this work shall be incidental to CONCRETE STRUCTURES.
  - All protruding or remaining rebar shall remain and be cut if necessary to maintain clear cover. The cost of this work shall be incidental to CONCRETE STRUCTURES.
  - The contractor shall field verify ALL DIMENSIONS before removing any portion of the existing substructure, placing reinforcing, or forming concrete.



**BAR h13**



**BAR s10**



**ELEV. D-D**

(Perpendicular to C of Abutment)

**BILL OF MATERIAL-2 ABUTS.**

Bar	No.	Size	Length	Shape
h10	12	# 5	3'-6"	—
h11	24	# 5	5'-10"	—
h12	24	# 5	3'-8"	—
h13	12	# 5	3'-7"	—
p10	14	# 7	25'-6"	—
s10	50	# 4	3'-5"	—
v1	52	# 4	1'-2"	—
v2	12	# 4	3'-9"	—
v3	4	# 4	6'-2"	—
v4	4	# 4	5'-11"	—
v5	4	# 4	5'-8"	—
v6	4	# 4	5'-4"	—
v7	8	# 4	3'-6"	—
v8	8	# 4	3'-2"	—
v9	8	# 4	2'-10"	—
Concrete Structures		Cu. Yds.	8.9	
Reinforcement Bars		Lbs.	1,340	
Name Plate		Each	1	
Structure Excavation		Cu. Yds.	29	
Concrete Removal		Cu. Yds.	6	

DSGN	K. J. Hoffmann				
DIR	K. J. Hoffmann				
CHK	J. Wolf				
APVD	A. Frauenhoffer	NO.	DATE	REVISION	BY

**FRAUENHOFFER**  
 Frauenhoffer and Associates, P.C. Consulting Engineers  
 3002 Crossing Court Champaign, IL 61822 217-351-6258

**ABUTMENT CAP RETROFIT**  
 COUNTY HIGHWAY 14  
 SECTION 05-00131-00-BR  
 FULTON COUNTY

SHEET 12  
 DWG NO. 9047-abt.dgn  
 DATE AUG 2006  
 PROJ NO. 9047