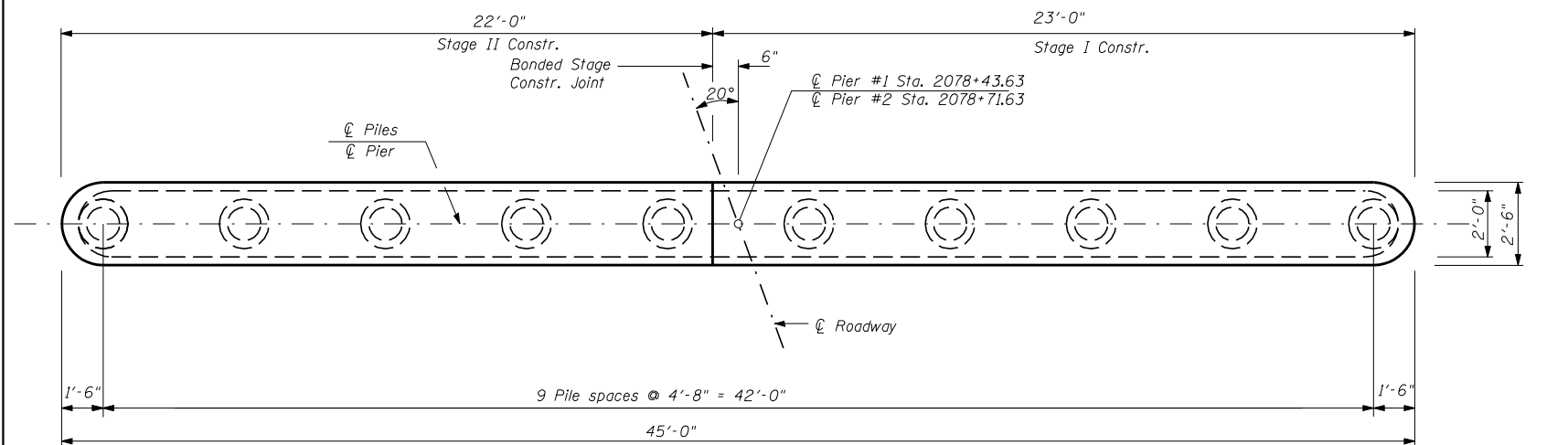
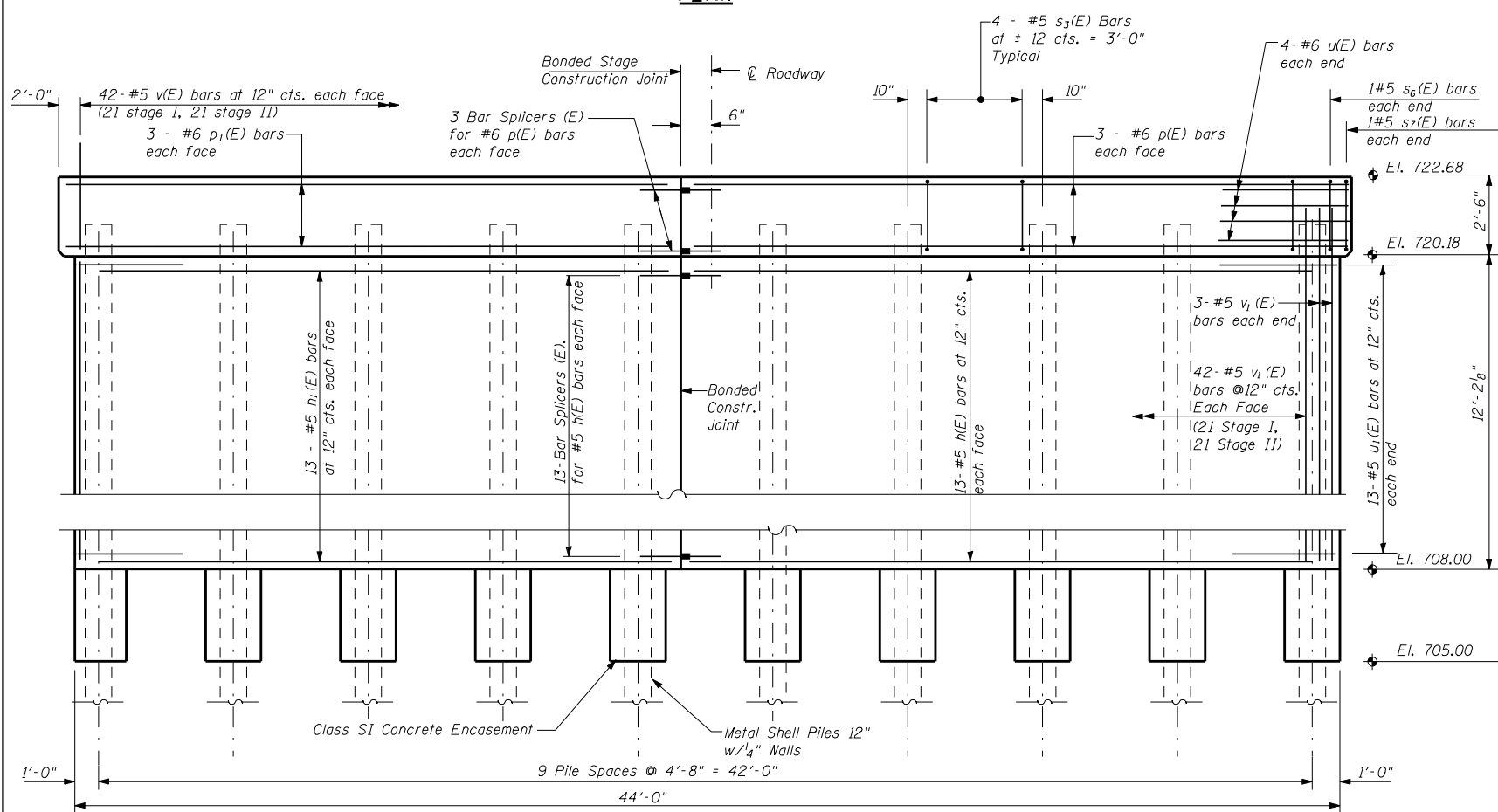


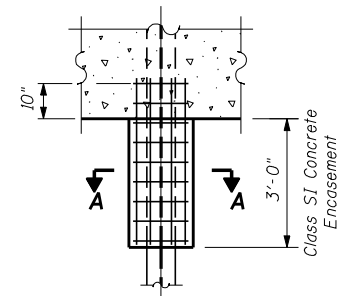
F.A.P. RTE.	SECTION	COUNTY	TOTAL SHEETS	SHEET NO.
709	105BR-5	CHAMPAIGN	31	17
STA.		TO STA.		
FED. ROAD DIST. NO.		ILLINOIS FED. AID PROJECT		
CONTRACT 90933		SHEET 7 OF 11 SHEETS		



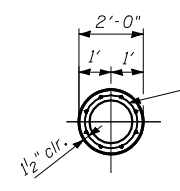
PLAN



ELEVATION
(Looking East)

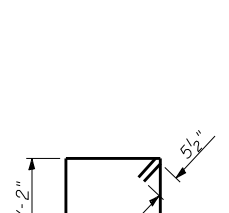
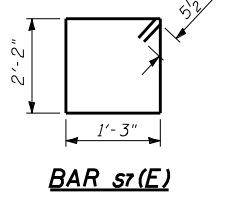
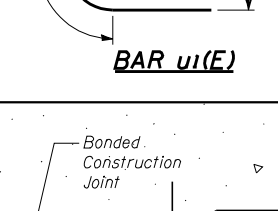
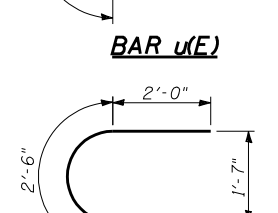
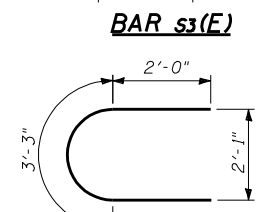
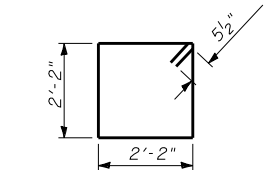
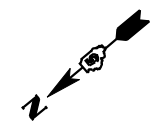


PILE ENCASUREMENT DETAIL



SECTION A-A

Welded wire fabric 6x6-W4 x W4 with a weight of 58#/100 sq.ft. The cost of Excavation, Class SI Concrete Encasement and Reinforcement is included with furnishing piles. Forms for encasement may be omitted when soil conditions will permit



PILE DATA

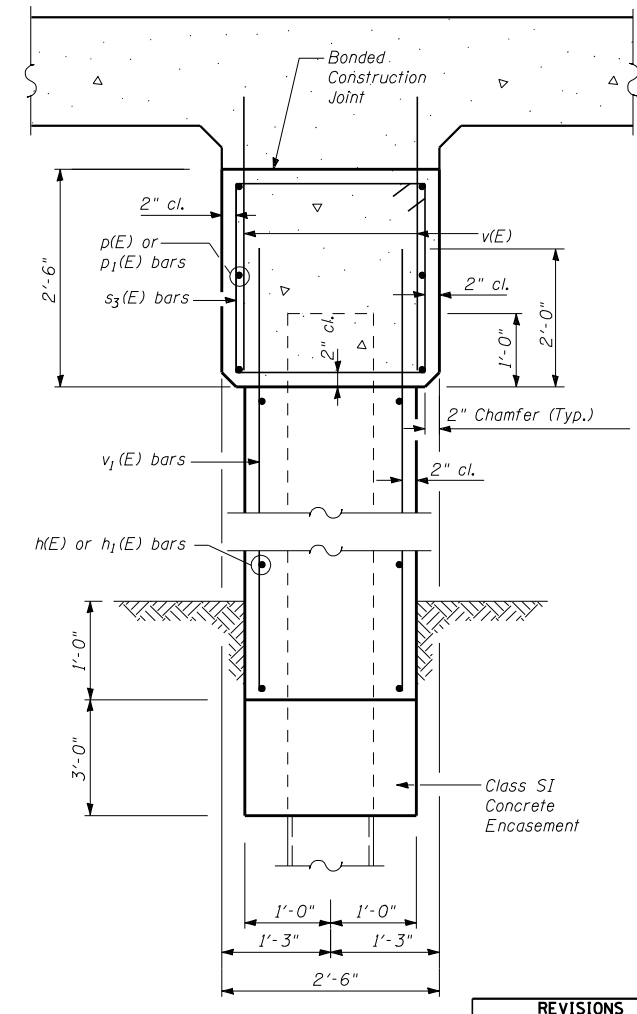
Type	Metal Shell 12" w/4" walls
No. Required	10 @ Pier 1 9+1 Test Pile @ Pier 2
Capacity	40 Tons *
Est. Length Pier 1	42 Ft.
Est. Length Pier 2	40 Ft.
* Drive to 50 Ton. Bearing	

Note: Do not overdrive Piles

BILL OF MATERIAL

BOTH PIERS				
Bar	No.	Size	Length	Shape
h(E)	52	#5	21'-4"	—
h ₁ (E)	52	#5	20'-4"	—
p(E)	12	#6	21'-4"	—
p ₁ (E)	12	#6	20'-4"	—
s ₃ (E)	72	#5	9'-7"	□
s ₆ (E)	4	#5	8'-9"	□
s ₇ (E)	4	#5	7'-9"	□
u(E)	16	#6	7'-3"	U
u ₁ (E)	52	#5	6'-6"	U
v(E)	168	#5	3'-6"	—
v ₁ (E)	180	#5	14'-0"	—
Concrete Structures		Cu.Yd.	99.3	
Reinforcement Bars		Lbs.	7568	
Furnishing Metal Pile Shells, 12"		Ft.	780	
Driving and Filling Shells		Ft.	780	
Test Pile Metal Shells		Each	1	
Underwater Structure Excavation Protection Location 1		Each	1	
Underwater Structure Excavation Protection Location 2		Each	1	

Reinforcement bars designated (E) shall be Epoxy coated.



SECTION THRU PIER

REVISIONS	
NAME	DATE

ILLINOIS DEPARTMENT OF TRANSPORTATION
PIER DETAILS
US ROUTE 136 OVER BIG DITCH
FAP RTE. 709 SECTION 105BR-5
STA. 2078+57.63
CHAMPAIGN COUNTY STR. NO. 010-0276
SCALE: NTS DRAWN BY LP
DATE 11-2001 CHECKED BY MJS