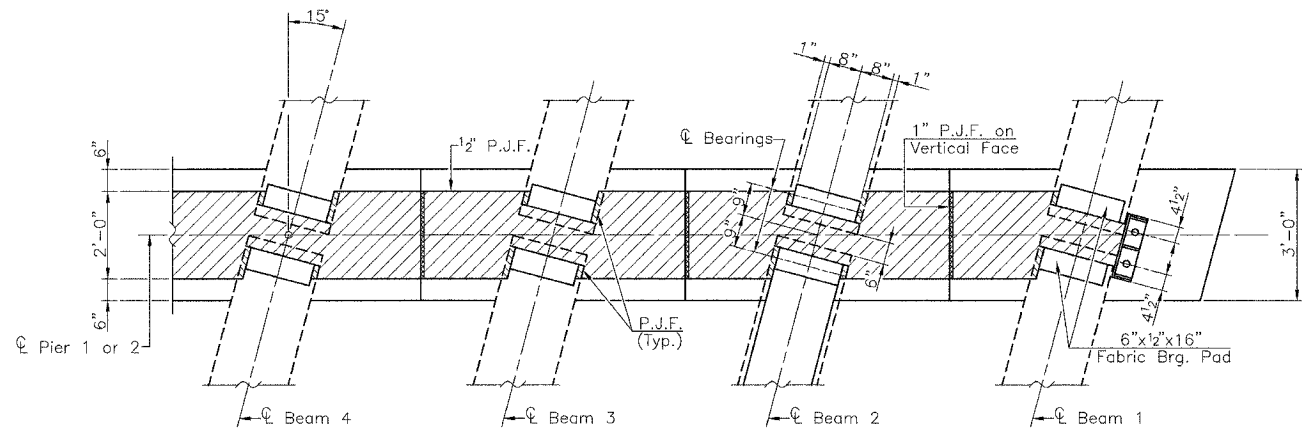


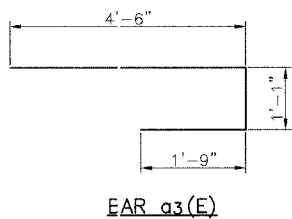
RTE.	SECTION	COUNTY	TOTAL SHEETS	SHEET NO.
C.H. 28	*	**	24	10

PROJECT BRS-1741(103)  
 \* 03-00085-00-BR & 03-00126-00-BR  
 \*\* MACOUPIN COUNTY & MONTGOMERY COUNTY  
 Sheet 6 of 17

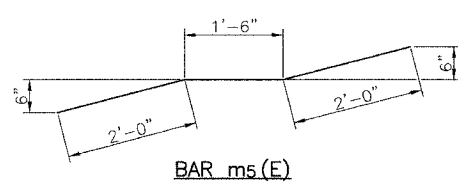
Notes: Reinforcement bars shown on this sheet are included in Bill of Material on Sheet No. 5 of 17.  
 Concrete in diaphragms is included with Concrete Superstructure on sheet 5 of 17.  
 The s(E) and s<sub>1</sub>(E) bars shall be placed parallel to the beams. Spacing of these bars shall be at right angles to the beams.  
 The side retainer shall be galvanized after shop fabrication according to A.A.S.H.T.O. M 11 and ASTM A 385. Cost of the side retainers and anchor bolts shall be included with Concrete Superstructures.  
 Cost of 90 lb. roofing felt is included with Concrete Superstructure. See Sheet 16 of 17 for anchor bolt details.



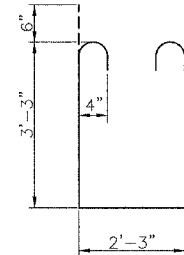
**PARTIAL PLAN AT PIER**  
 (Showing Bearing Pad and P.J.F. Details)



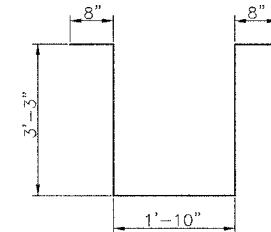
**BAR a3(E)**



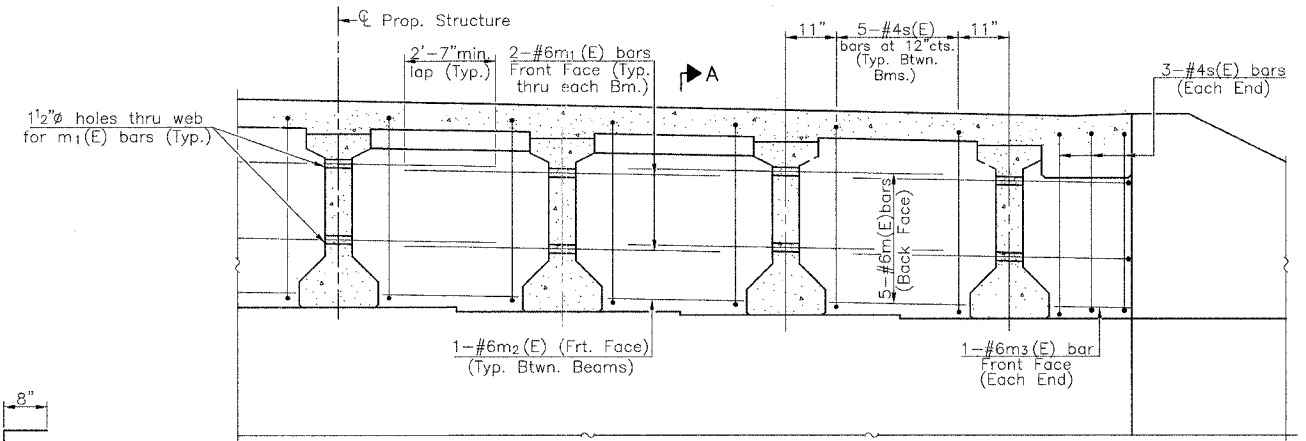
**BAR m5(E)**



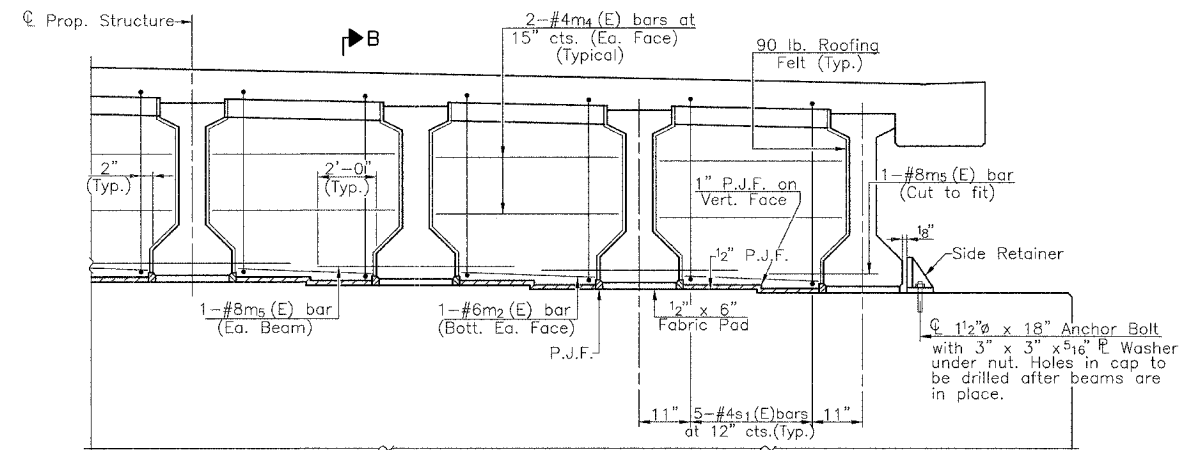
**BAR s(E)**



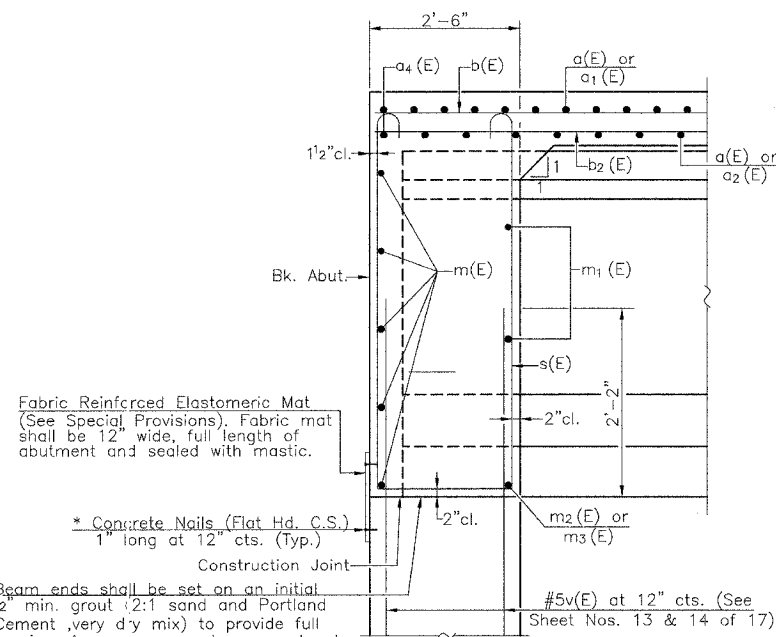
**BAR s1(E)**



**DIAPHRAGM ELEVATION AT ABUTMENT**



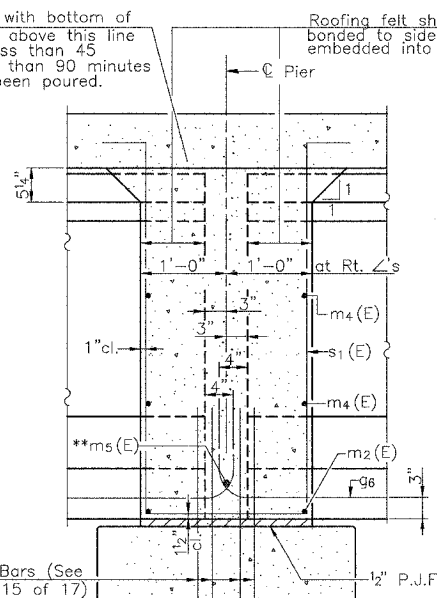
**DIAPHRAGM AT PIER**



**SECTION A-A AT ABUTMENT**

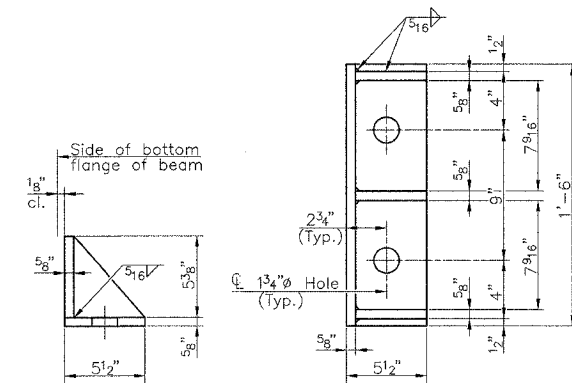
(Dimensions at rt. angles to abut.)

Pour diaphragm flush with bottom of slab. Concrete in slab above this line shall be placed not less than 45 minutes but not more than 90 minutes after diaphragm has been poured.  
 Roofing felt shall be bonded to side of beam embedded into diaphragm.



**SECTION B-B AT PIER**

(Dimensions along  $\phi$  of beam)



**SIDE RETAINER**

Equivalent rolled angle with stiffeners will be allowed in lieu of webbed plates.

**DIAPHRAGM DETAILS**  
 C.H. 28 OVER MACOUPIN CREEK  
 SECTION 03-00085-00-BR  
 MACOUPIN COUNTY  
 SECTION 03-00126-00-BR  
 MONTGOMERY COUNTY

\* Cost included with Concrete Structures

FILE NAME: MACROD (REV. 9/16/08)