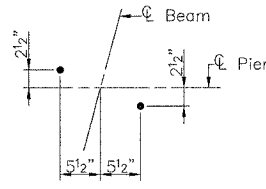


RTE.	SECTION	COUNTY	TOTAL SHEETS	SHEET NO.
C.H. 28	*	**	24	19

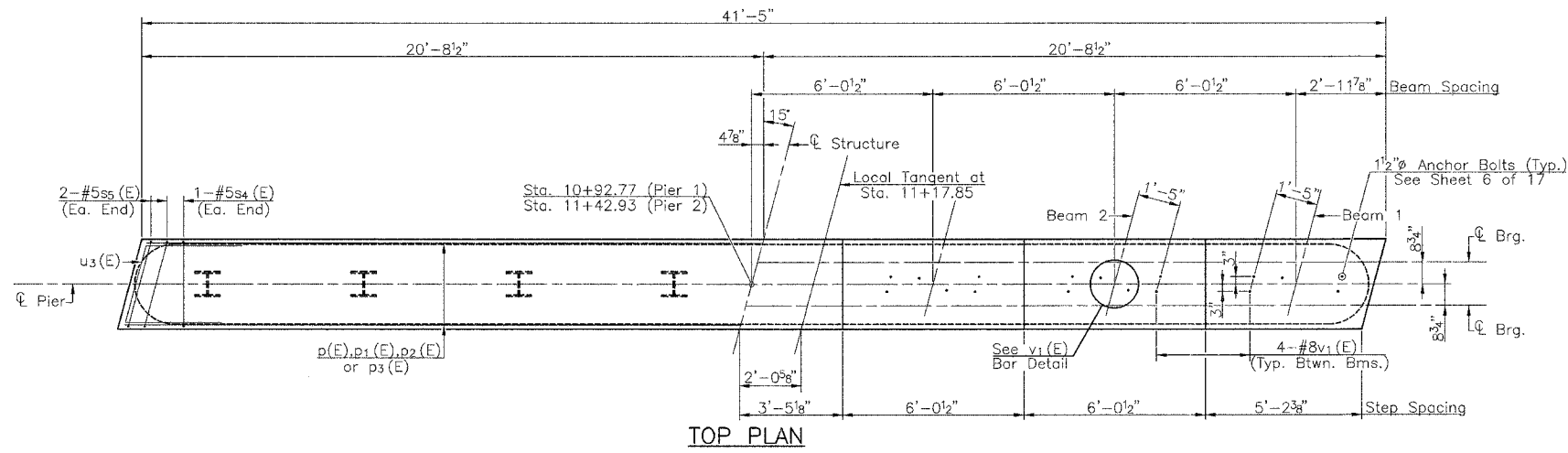
PROJECT BRS-1741(103)
 * 03-00085-00-BR & 03-00126-00-BR
 ** MACOUPIN COUNTY & MONTGOMERY COUNTY
 Sheet 15 of 17

PILE DATA

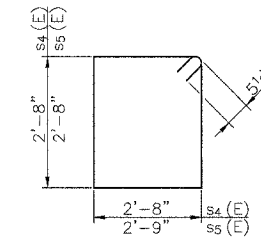
	Pier 1	Pier 2
Type:	Steel HP10x42	Steel HP10x42
Capacity:	Refusal	Refusal
Est. Length:	26'	26'
No. Req'd.:	7 + 1 Test Pile	8



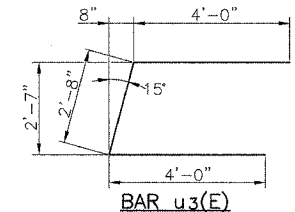
v1(E) BAR DETAIL
 (Omit outside bar at exterior beam locations)



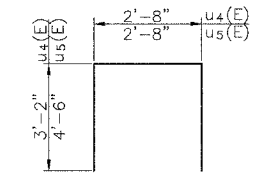
TOP PLAN



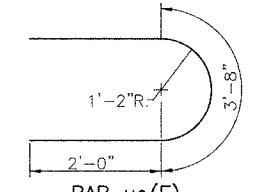
BARS s4(E) & s5(E)



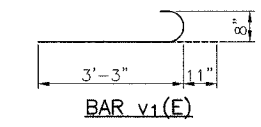
BAR u3(E)



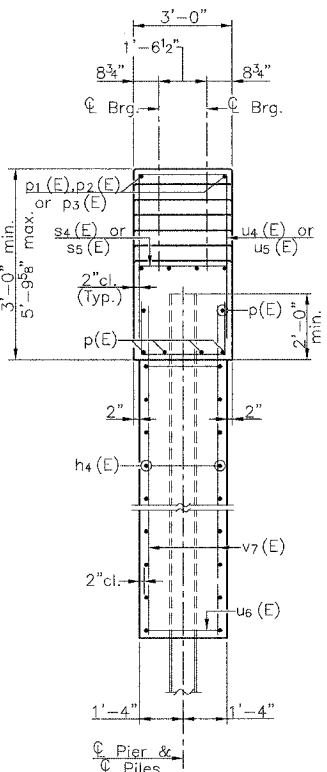
BARS u4(E) & u5(E)



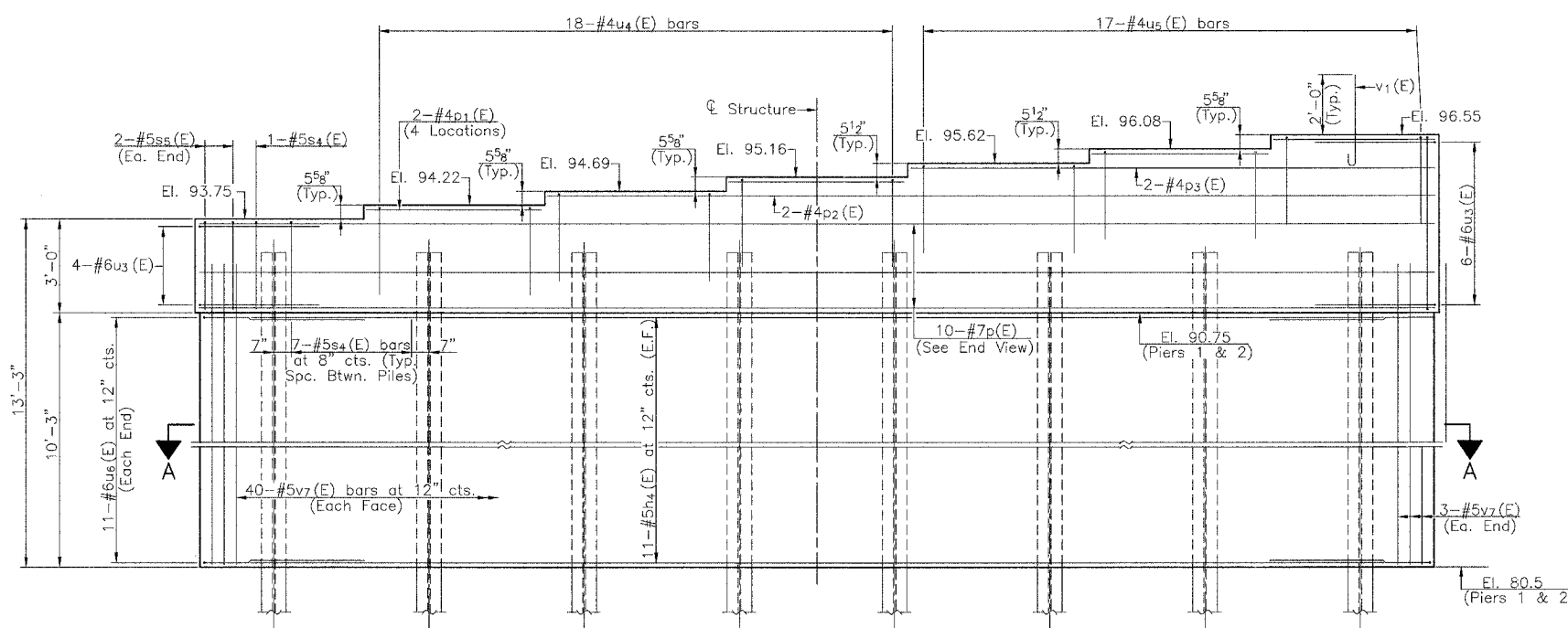
BAR u6(E)



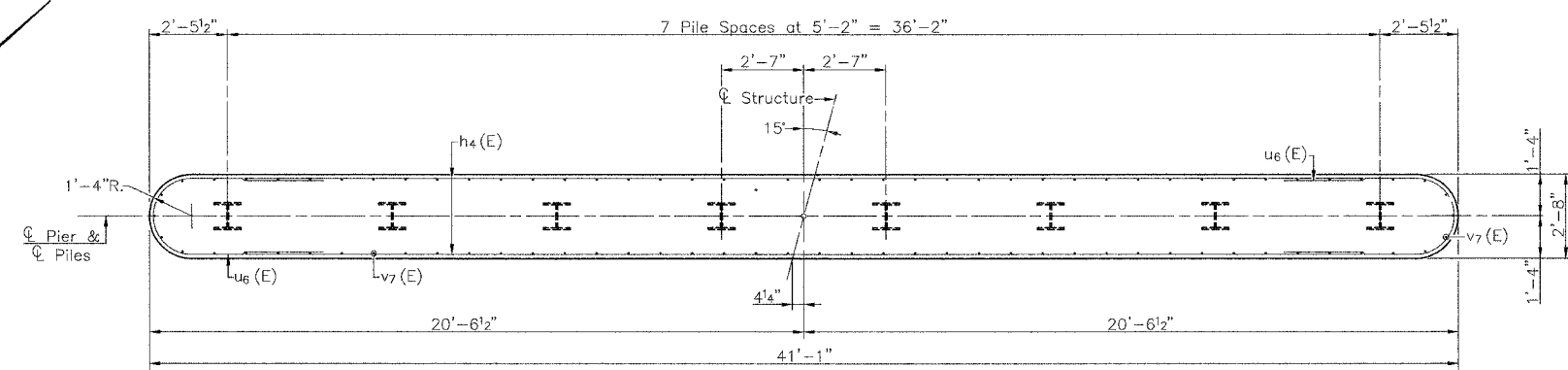
BAR v1(E)



END VIEW



ELEVATION
 (Looking West)



SECTION A-A

BILL OF MATERIAL - 2 PIERS

Bar	No.	Size	Length	Shape
h4(E)	44	#5	38'-5"	—
p(E)	20	#7	41'-1"	—
p1(E)	16	#4	6'-0"	—
p2(E)	4	#4	29'-0"	—
p3(E)	4	#4	17'-0"	—
s4(E)	102	#5	11'-7"	□
s5(E)	8	#5	11'-9"	□
u3(E)	20	#6	10'-8"	□
u4(E)	36	#4	9'-0"	□
u5(E)	34	#4	11'-8"	□
u6(E)	44	#6	7'-8"	□
v1(E)	72	#8	4'-2"	—
v7(E)	172	#5	12'-3"	—

Reinforcement Bars, Epoxy Coated	Pound	9270
Furnishing Steel Piles HP 10x42	Foot	390
Driving Steel Piles	Foot	390
Test Pile Steel HP 10x42	Each	1
Concrete Structures	Cu. Yd.	122.6
Structure Excavation Protection for Pile Bent No. 1	Each	1
Structure Excavation Protection for Pile Bent No. 2	Each	1
Structure Excavation	Cu. Yd.	67

Notes: All exposed edges shall have 3/4" chamfer.
 Pour steps monolithically with cap.

PIERS
 C.H. 28 OVER MACOUPIN CREEK
 SECTION 03-00085-00-BR
 MACOUPIN COUNTY
 SECTION 03-00126-00-BR
 MONTGOMERY COUNTY