

ROUTE NO.	SECTION	COUNTY	TOTAL SHEETS	SHEET NO.
C.H. 11	01-00081-00-BR	MACOUPIN	22	2
FED. ROAD DIST. NO. 7		ILLINOIS	FED. AID PROJECT-	

SUMMARY OF QUANTITIES CONSTRUCTION TYPE CODE X081-2A			
CODE NO.	ITEM	UNIT	QUANTITY
20200100	EARTH EXCAVATION	CU YD	125
20300100	CHANNEL EXCAVATION	CU YD	470
20400800	FURNISHED EXCAVATION	CU YD	200
20700400	* POROUS GRANULAR EMBANKMENT, SPECIAL	CU YD	154
25001000	* SEEDING CLASS 2 (SPECIAL)	ACRE	0.6
28000300	* TEMPORARY DITCH CHECKS	EACH	4
28100107	STONE RIPRAP, CLASS A4	SQ YD	559
28200200	FILTER FABRIC	SQ YD	559
40200800	AGGREGATE SURFACE COURSE, TYPE B	TON	91
40800050	INCIDENTAL HOT MIX ASPHALT SURFACING	TON	23
42001165	BRIDGE APPROACH PAVEMENT	SQ YD	160
50100100	REMOVAL OF EXISTING STRUCTURES	EACH	1
50200100	STRUCTURE EXCAVATION	CU YD	180
50300225	CONCRETE STRUCTURES	CU YD	87.8
50300255	CONCRETE SUPERSTRUCTURE	CU YD	459.6
50300260	BRIDGE DECK GROOVING	SQ YD	1652
50300280	CONCRETE ENCASEMENT	CU YD	39.0
50300300	* PROTECTIVE COAT	SQ YD	1676
50400905	* FURNISHING AND ERECTING PRECAST PRESTRESSED CONCRETE I-BEAMS, 42 IN.	FOOT	2454
50800205	REINFORCEMENT BARS, EPOXY COATED	POUND	116,450
50800515	BAR SPLICERS	EACH	48
50901050	STEEL RAILING, TYPE SM	FOOT	826
51201500	FURNISHING STEEL PILES HP 10X57	FOOT	3406
51202305	DRIVING PILES	FOOT	3406
51203500	TEST PILE STEEL HP 10X57	EACH	2
51204650	PILE SHOES	EACH	46
51500100	NAME PLATES	EACH	1
59100100	GEOCOMPOSITE WALL DRAIN	SQ YD	89
60109580	* PIPE UNDERDRAINS FOR STRUCTURES, 4"	FOOT	140
63100087+	TRAFFIC BARRIER TERMINAL, TYPE 6A	EACH	4
63100167+	* TRAFFIC BARRIER TERMINAL, TYPE 1 SPECIAL (TANGENT)	EACH	3
67100100	MOBILIZATION	L SUM	1
70101700	* TRAFFIC CONTROL AND PROTECTION	L SUM	1
78201000+	* TERMINAL MARKER-DIRECT APPLIED	EACH	4
LR631020+	TRAFFIC BARRIER TERMINAL, TYPE 1	EACH	1
X5020501	* UNDERWATER STRUCTURE EXCAVATION PROTECTION-LOCATION NO. 1	EACH	1
X5020502	* UNDERWATER STRUCTURE EXCAVATION PROTECTION-LOCATION NO. 2	EACH	1
X5020503	* UNDERWATER STRUCTURE EXCAVATION PROTECTION-LOCATION NO. 3	EACH	1
X5020504	* UNDERWATER STRUCTURE EXCAVATION PROTECTION-LOCATION NO. 4	EACH	1
Z0076600+	TRAINEES	HOUR	500

* SEE SPECIAL PROVISION
 Δ YORSO
 † SPECIALTY ITEMS

GENERAL NOTES

WHERE SECTION AND SUBSECTION MONUMENTS ARE ENCOUNTERED, THE ENGINEER SHALL BE NOTIFIED BEFORE SUCH MONUMENTS ARE REMOVED. THE CONTRACTOR SHALL PROTECT AND CAREFULLY PRESERVE ALL PROPERTY MARKS AND MONUMENTS UNTIL THE OWNER, AN AUTHORIZED SURVEYOR OR AGENT HAS WITNESSED OR OTHERWISE REFERENCED THEIR LOCATION.

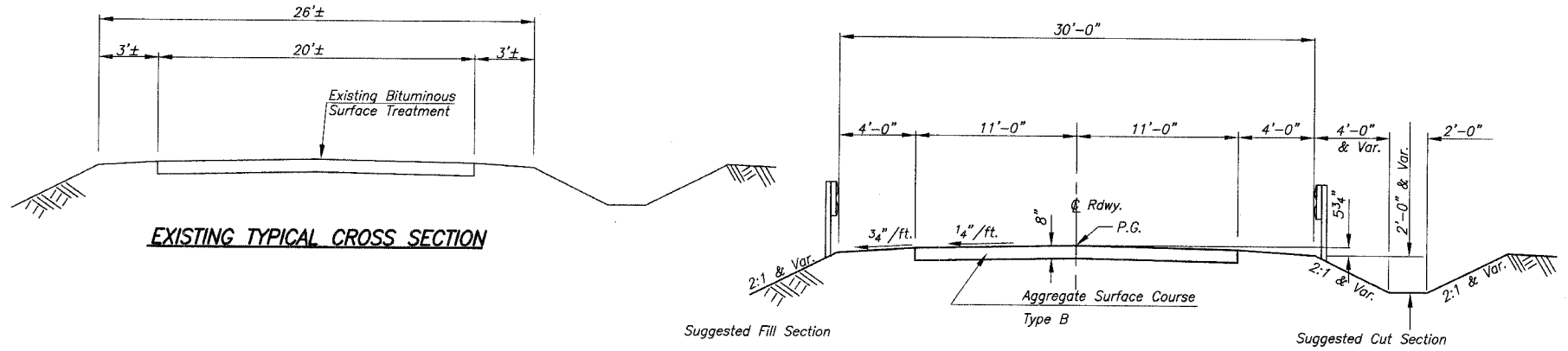
THE AREA TO BE SEEDED SHALL CONSIST OF ALL DISTURBED EARTH SURFACES WITHIN THE RIGHT OF WAY AND EASEMENTS AS DIRECTED BY THE ENGINEER.

SEEDING, CLASS 2 (SPECIAL) = 0.6 ACRES

ALL TREES THAT INTERFERE WITH CONSTRUCTION WITHIN THE R.O.W. AND EASEMENTS SHALL BE REMOVED ONLY AT THE DIRECTION OF THE ENGINEER.

THE COST OF REMOVAL OF ANY OBSTRUCTIONS OR CULVERTS NOT OTHERWISE INCLUDED IN REMOVAL OF EXISTING STRUCTURES WHICH INTERFERE WITH CONSTRUCTION WILL BE CONSIDERED INCIDENTAL TO THE COST OF EARTH EXCAVATION.

ALL PLAN ELEVATIONS REPRESENT U.S.G.S. DATUM.



APPLICATION RATES USED IN QUANTITY CALCULATIONS

GRANULAR MATERIALS 2.05 TON/CU. YD.

Road Classification: Local Road 0-250 ADT
 Current ADT 200

TYPICAL CROSS SECTION

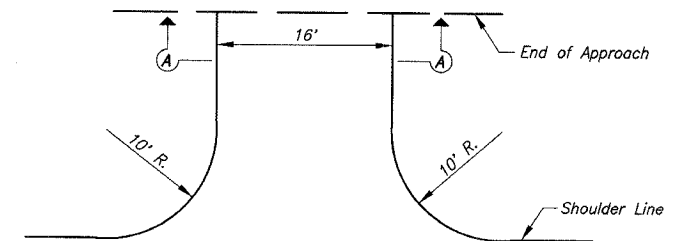
Sta. 165+00.00 to Sta. 165+18.61
 Transition from the proposed roadway to the existing roadway to be constructed from Sta. 164+50 to 165+00

GUARD RAIL SCHEDULE

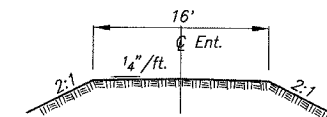
TRAFFIC BARRIER TERMINAL, TY. 6A
 LT. STA. 165+12.78 TO 165+47.00 = 1 EACH
 RT. STA. 165+33.56 TO 165+67.78 = 1 EACH
 LT. STA. 169+54.34 TO 169+88.56 = 1 EACH
 RT. STA. 169+75.12 TO 170+09.34 = 1 EACH
 TOTAL = 4 EACH

TRAFFIC BARRIER TERMINAL, TY.1 SPECIAL (TANGENT)
 LT. STA. 164+62.78 TO 165+12.78 = 1 EACH
 LT. STA. 169+88.56 TO 170+38.56 = 1 EACH
 RT. STA. 170+09.34 TO 170+59.34 = 1 EACH
 TOTAL = 3 EACH

TRAFFIC BARRIER TERMINAL, TY.1
 RT. STA. 165+08.56 TO 165+33.56 = 1 EACH



FIELD ENTRANCE DETAIL



SECTION A-A

SHEET TITLE		PROJECT NO.	
SUMMARY OF QUANTITIES & TYPICAL CROSS SECTION		04081	
PROJECT		SCALE	
SECTION 01-00081-00-BR C.H. 11/F.A.S. 1732 MACOUPIN COUNTY STATION 167+61.06		10-03-06	
DRAWN BY		CHECKED BY	
MRL		MCB	
DRAWING NO.		DATE	
COOMBE-BLOXDORF P.C. Engineers / Land Surveyors Springfield, Illinois Design Firm License No. 184-002703		2	
OF 22 SHTS			