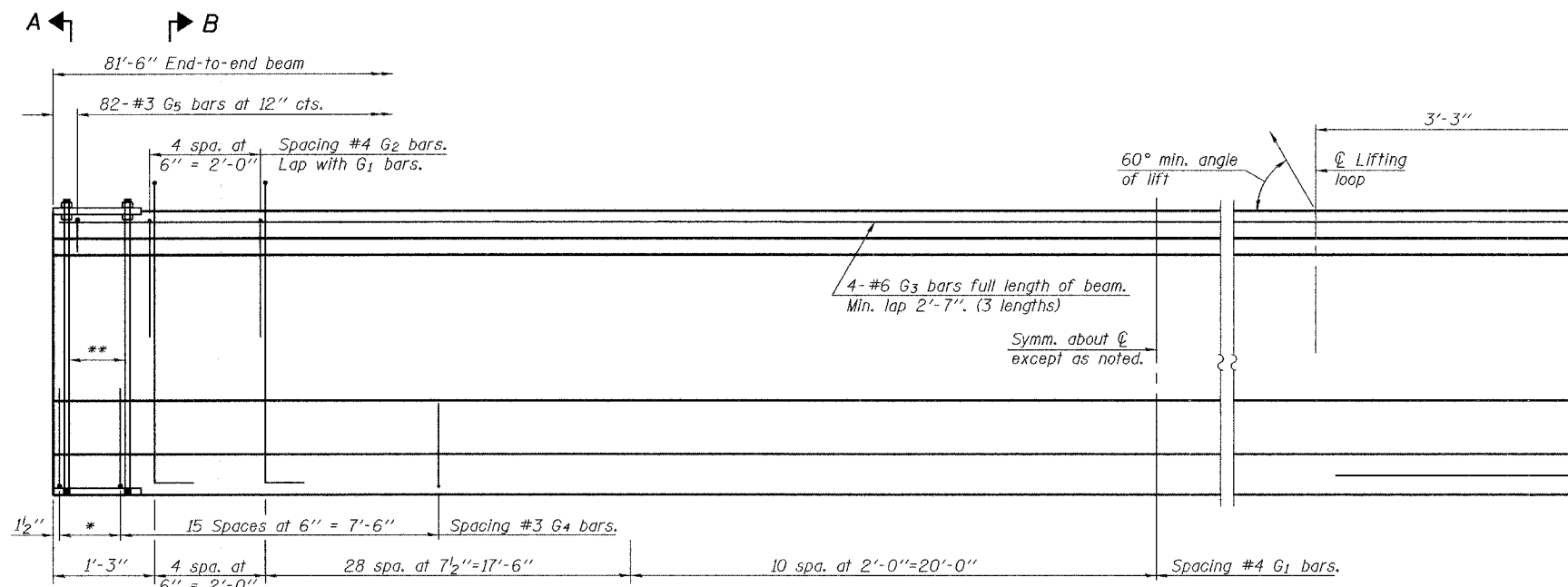


ROUTE NO.	SECTION	COUNTY	TOTAL SHEETS	SHEET NO.	SHEET NO. 10
FAS 1732	*	MACOUPIN	22	13	17 SHEETS
FED. ROAD DIST. NO. 7		ILLINOIS	FED. AID PROJECT-		

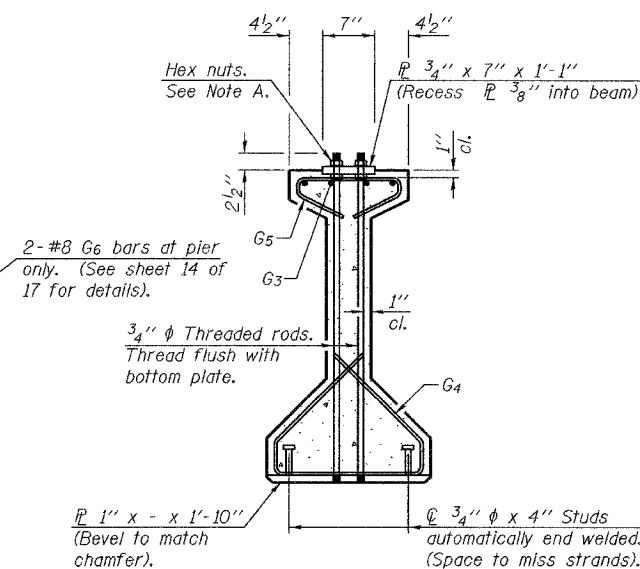
\*01-00081-00-BR



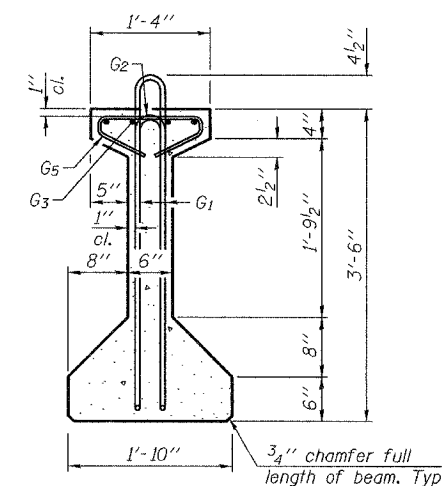
**ELEVATION OF BEAM**  
(Showing reinforcement & dimensions)

\* 3 spaces at 3" = 9".  
\*\* 4-3/4" φ threaded dowel rods at 3" cts., each face.

Note A:  
Hex nuts (top and bottom) with lock washers (top). Only tighten sufficiently to compress lock washers.



**SECTION A-A**

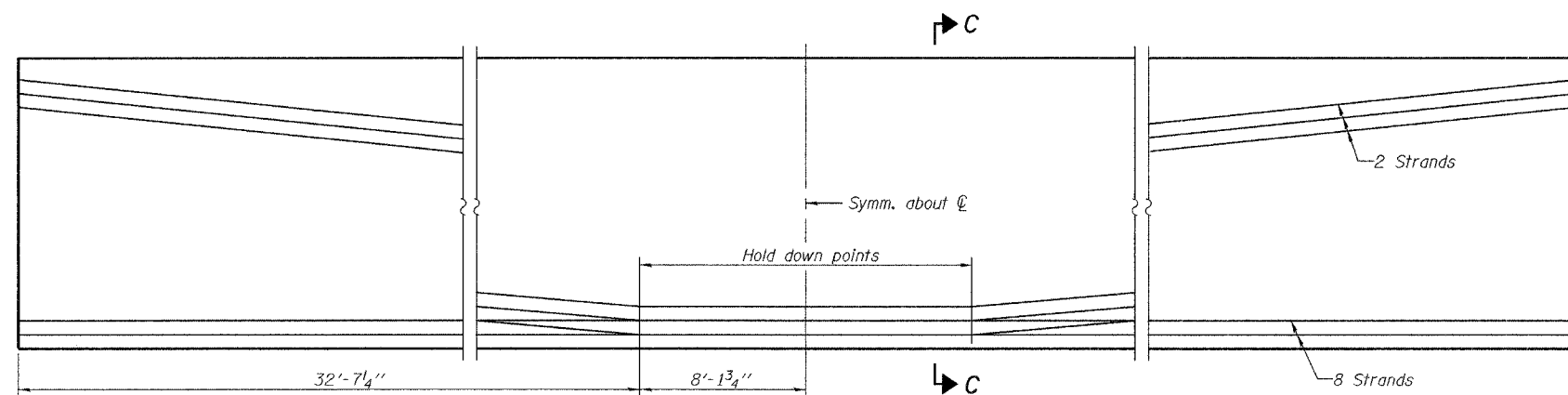


**SECTION B-B**

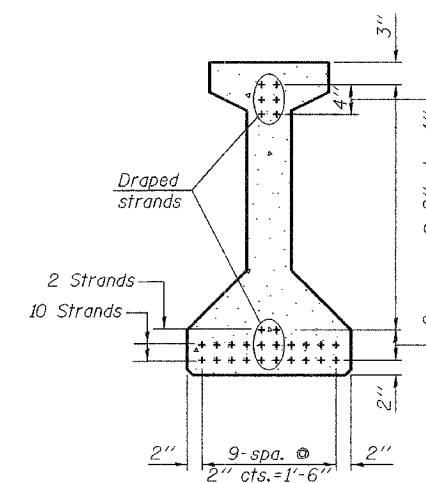
**BAR LIST-ONE BEAM ONLY**

Bar	No.	Size	Length	Shape
G1	85	#4	8'-5"	∩
G2	10	#4	4'-4"	∩
G3	12	#6	28'-10"	—
G4	38	#3	4'-11"	∩
G5	82	#3	2'-6"	∩
G6	4	#8	3'-9"	∩

Notes:  
See sheet 14 of 17 for additional details and Bill of Material.  
Required release strength, f'ci, shall be 5000 psi.



**ELEVATION OF BEAM**  
(Showing prestressing steel)  
Expected Camber=1"



**SECTION C-C**

PLOT DATE = 07/07/2006  
 PLOT SCALE = 0.00000 1" / 16"  
 USER NAME = TFC

ILLINOIS DEPARTMENT OF TRANSPORTATION	
SHEET TITLE BEAM DETAILS-SPANS 2, 3 & 4	
PROJECT FAS ROUTE 1732 (COUNTY ROUTE 11) SECTION 01-00081-00-BR MACOUPIN COUNTY STATION 167+61.06 STRUCTURE NUMBER 059-3331	PROJECT NO. 04081 SCALE DATE 07/07/06 DRAWN BY TFG CHECKED BY ML/MCB DRAWING NO.
COOMBE-BLOXDORF P.C. Engineers / Land Surveyors Springfield, Illinois Design Firm License No. 184-002703	
10 OF 17 SHTS	