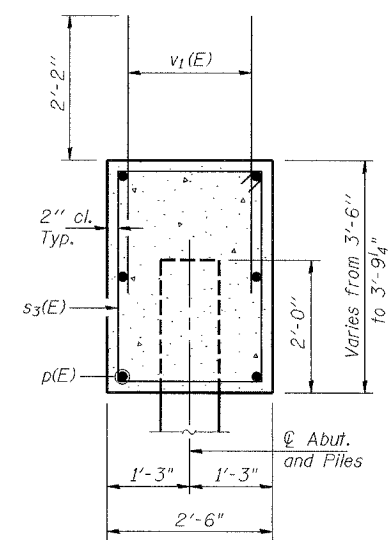
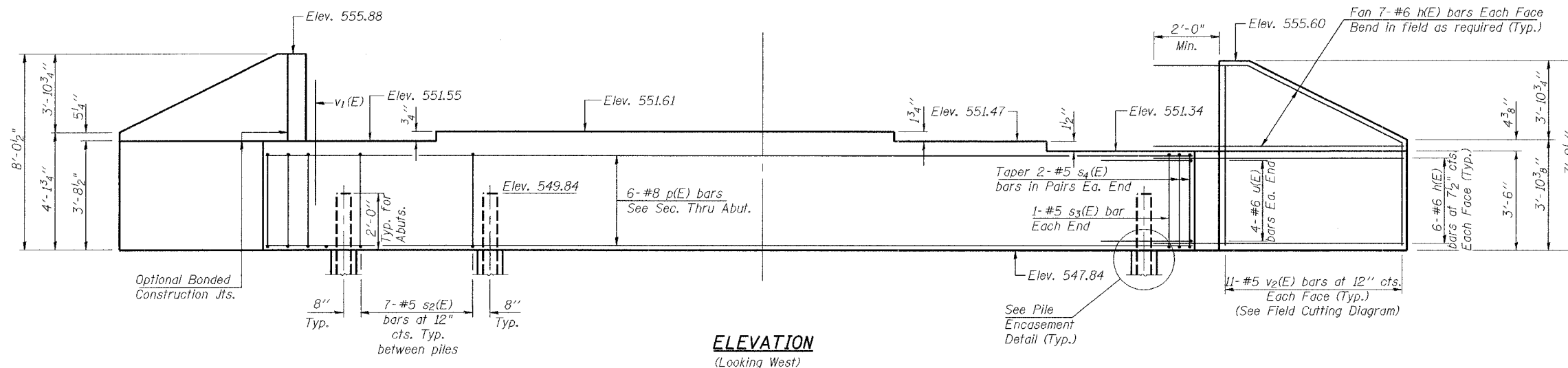


ROUTE NO.	SECTION	COUNTY	TOTAL SHEETS	SHEET NO.	SHEET TOTAL
FAS 1732	*	MACOUPIN	22	15	17 SHEETS
FED. ROAD DIST. NO. 7		ILLINOIS	FED. AID PROJECT		

*01-00081-00-BR

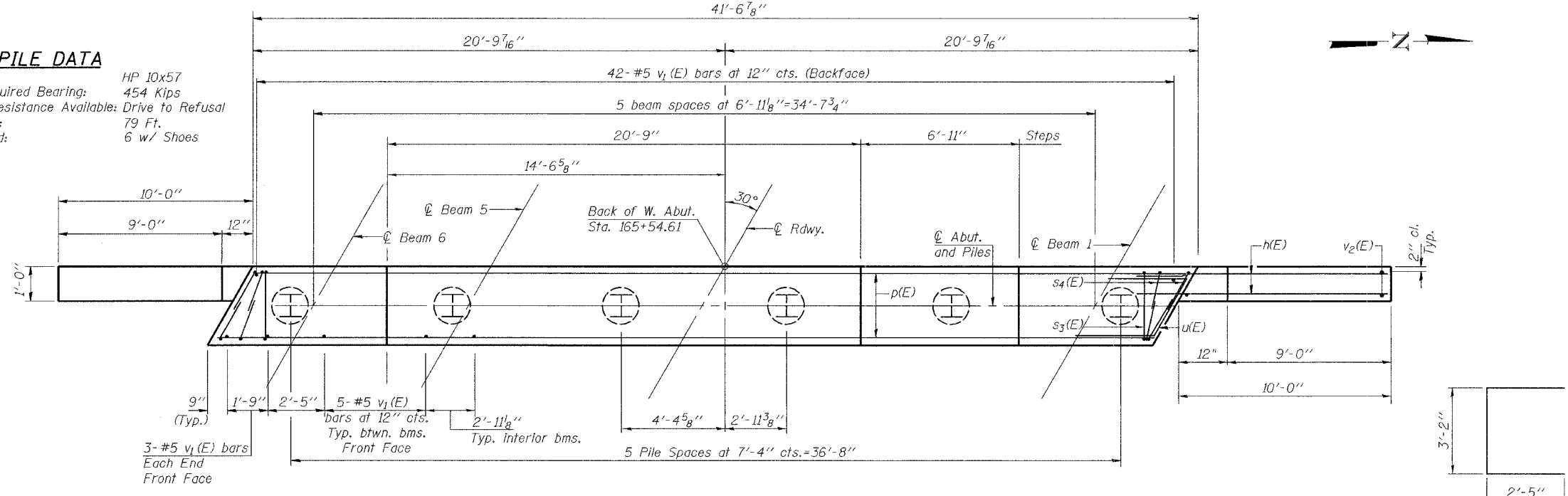
Notes: Four steps monolithically with cap.
Reinforcement bars designated (E)
shall be epoxy coated.



SEC. THRU ABUT.

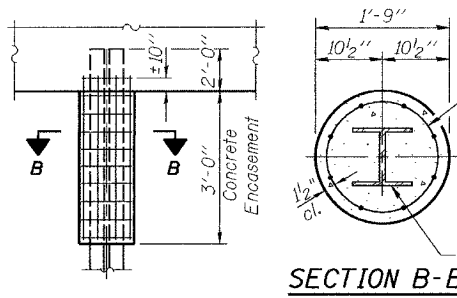
PILE DATA

Type: HP 10x57
Nominal Required Bearing: 454 Kips
Allowable Resistance Available: Drive to Refusal
Est. Length: 79 Ft.
No. Required: 6 w/ Shoes

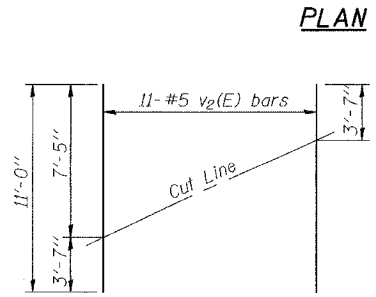


BILL OF MATERIAL
W. ABUTMENT

Bar	No.	Size	Length	Shape
h(E)	52	#6	12'-0"	—
p(E)	6	#8	41'-3"	—
s3(E)	37	#5	11'-7"	□
s4(E)	8	#5	8'-0"	□
u(E)	8	#6	12'-4"	▤
v1(E)	73	#5	4'-4"	—
v2(E)	22	#5	11'-0"	—
Concrete Structures Cu. Yd. 18.5				
Reinforcement Bars Pound 2850				
Epoxy Coated				
Structure Excavation Cu. Yd. 90				
Furnishing Steel Piles, HP 10x57 Foot 474				
Driving Piles Foot 474				
Pile Shoes Each 6				
Concrete Encasement Cu. Yd. 1.6				

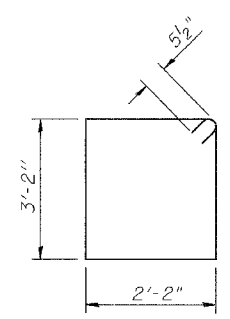


SECTION B-B

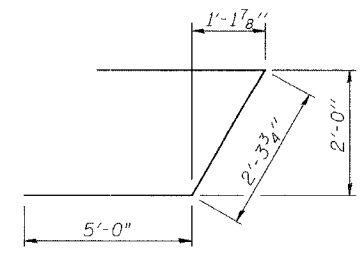


FIELD CUTTING DIAGRAM

MIN. BAR LAP
#5 bar=2'-2"



BARS s3(E)



BAR u(E)

BARS s4(E)

PLOT DATE = 10/03/2006
 PLOT SCALE = 0.00000 1" = 10'
 USER NAME = TFG

ILLINOIS DEPARTMENT OF TRANSPORTATION		
SHEET TITLE WEST ABUTMENT		
PROJECT FAS ROUTE 1732 (COUNTY ROUTE 11) SECTION 01-00081-00-BR MACOUPIN COUNTY STATION 167+61.06 STRUCTURE NUMBER 059-3331	PROJECT NO. 04081	SCALE 10/03/06 DRAWN BY TFG CHECKED BY GB/ML/MCB DRAWING NO.
COOMBE-BLOXDORF P.C. Engineers / Land Surveyors Springfield, Illinois		12
Design Firm License No. 184-002703		OF 17 SHTS