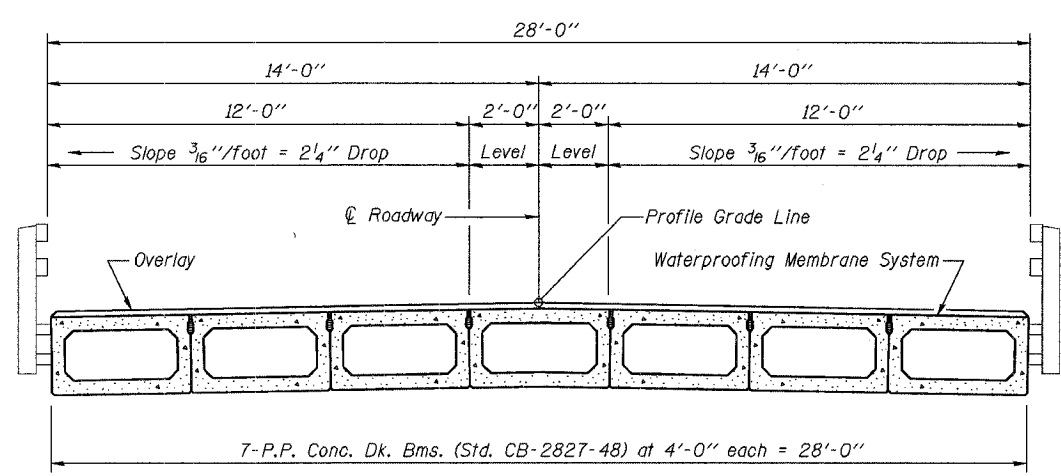
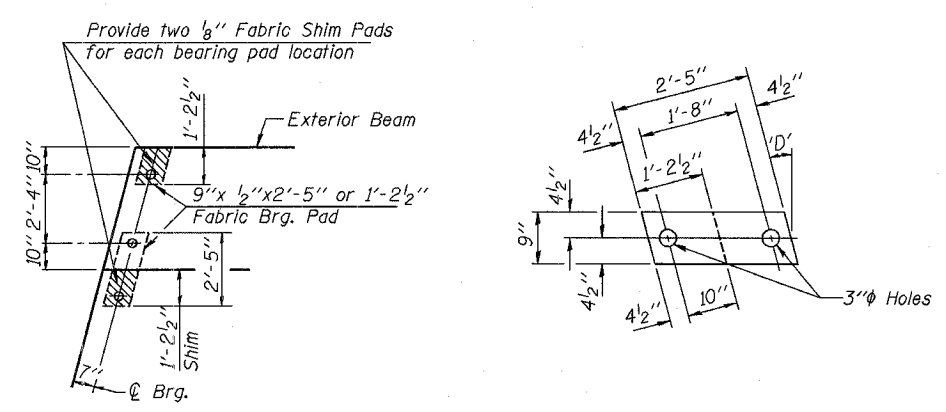


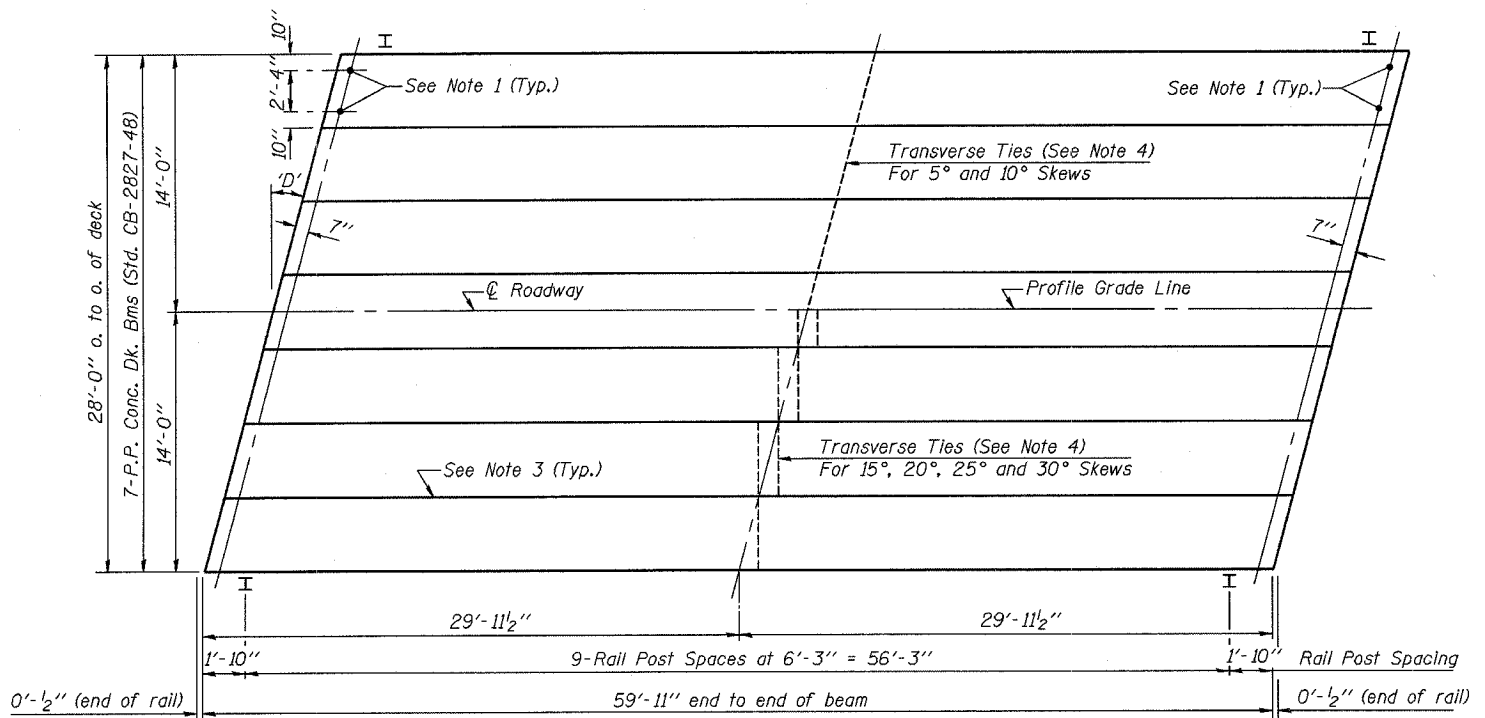
TYPICAL ELEVATIONS



CROSS SECTION

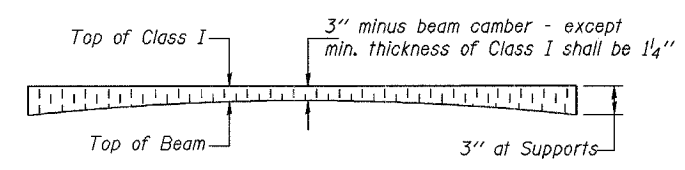


1/2" FABRIC BRG. PAD DETAILS



PLAN

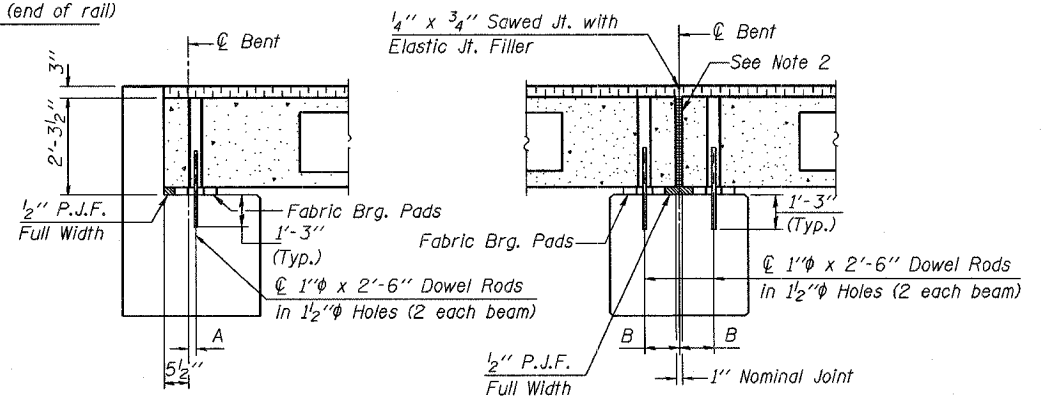
("D" = Designated Skew Angle)



PROFILE OF OVERLAY

DIMENSIONS 'A' AND 'B'

'D'	5°	10°	15°	20°	25°	30°
A	1 1/2"	1 5/8"	1 3/4"	1 7/8"	2 1/4"	2 5/8"
B	7 1/2"	7 5/8"	7 3/4"	8"	8 1/4"	8 5/8"



SECTION AT ABUTS.
(Along centerline Beams)

SECTION AT PIERS
(Along centerline Beams)

NOTES

- After beams have been erected, holes shall be drilled into substructure and anchor dowels placed. Dowel holes shall be filled with non-shrink grout to top of beam and allowed to cure min. 24 hrs. prior to grouting the shear keys.
- Nominal 1" joint at centerline Pier shall be filled with non-shrink grout.
- Longitudinal keys shall be grouted.
- The 1" diameter rods in the transverse tie assembly shall be tightened to a snug fit and the threads set. Pockets that receive transverse tie bar outside shall be filled with grout after transverse tie assembly is in place.

QUANTITIES FOR ONE SPAN

P.P. Conc. Dk. Bm. 27" Dp.	1680 Sq. Ft.
Steel Railing	120 Ft.
Waterproofing Membrane System	186.7 Sq. Yds.
Portland Cement Mortar - Fairing Course	360-Ft.

Note: Quantity of overlay for one span = 21.9 Tons

P.P.C. DECK BEAM SUPERSTRUCTURE			
28' RDWY.	27" BMS.	60' SPAN	LEFT
STANDARD CS-2827-60L			

Illinois Department of Transportation

PASSED APRIL 4, 2005

Thomas J. [Signature]

Engineer of Bridge Design

APPROVED APRIL 4, 2005

Ralph E. [Signature]

Engineer of Bridges and Structures

ISSUED 1-1-98/1