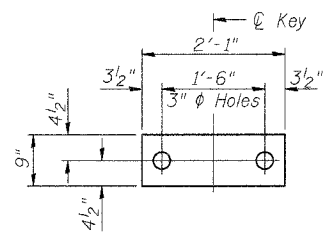
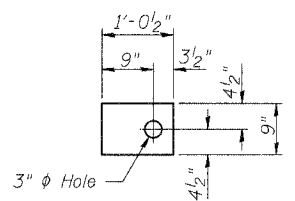


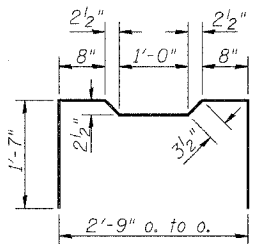
ROUTE	SECTION	COUNTY	TOTAL SHEET NO.
TR 442	05-08121-00-BR	FAYETTE	10
FED. ROAD DIST. NO. 7	ILLINOIS	FEDERAL AID PROJECT	8
			CONTRACT NO. 95489



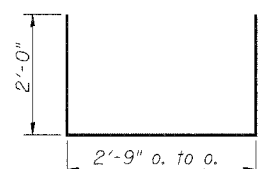
FABRIC BEARING PAD
(Interior)



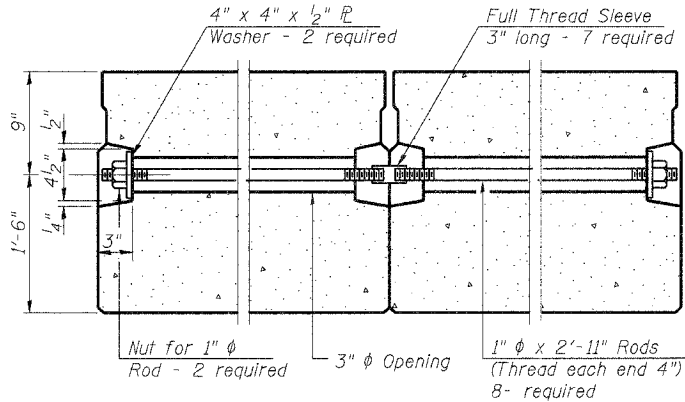
FABRIC BEARING PAD
(Exterior)



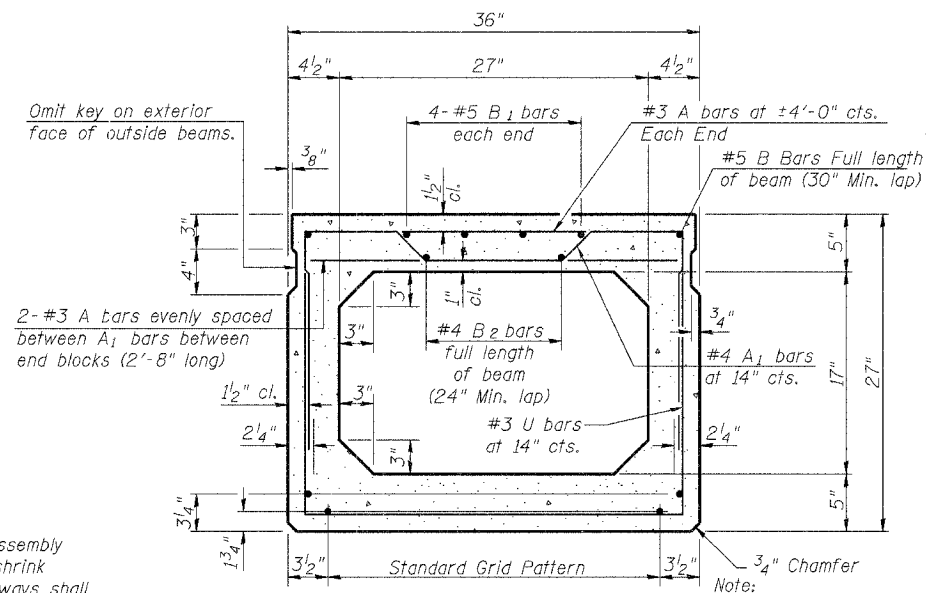
BAR A₁



BARS U & U₁

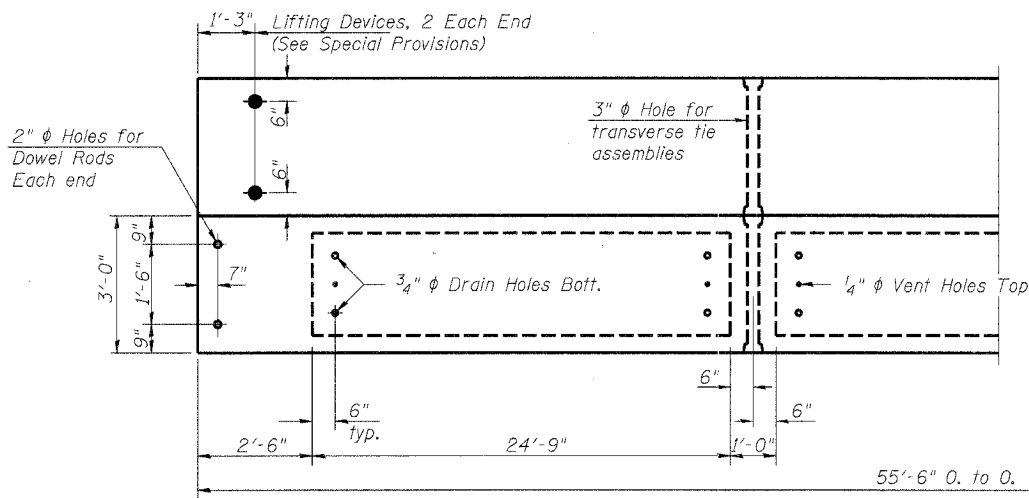


TYPICAL TRANSVERSE TIE ASSEMBLY

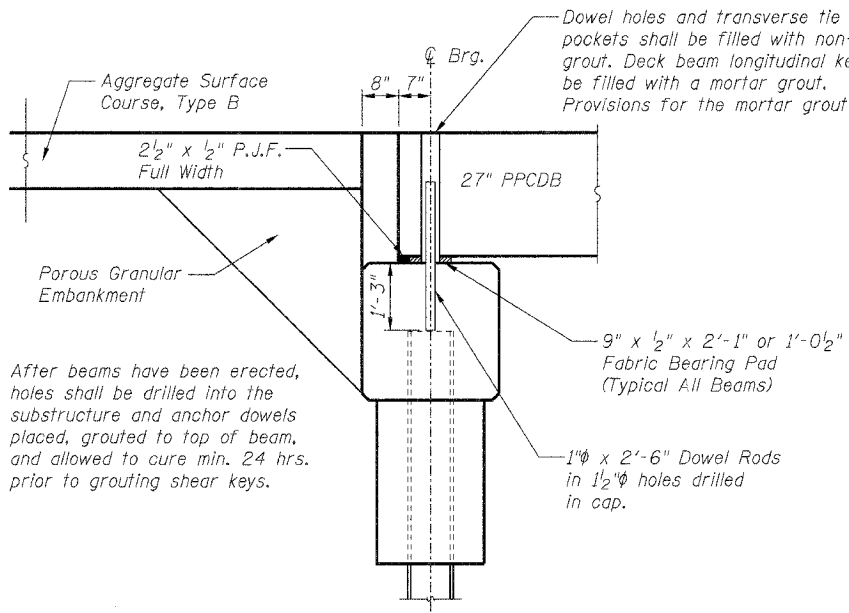


TYPICAL SECTION

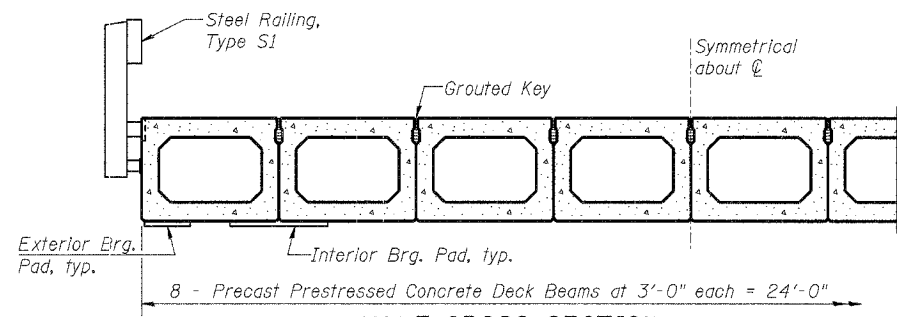
13 - 1/2" ϕ Strands, Each Strand Stressed to 28,900 Lbs.
9 - Strands 1 3/4" up, 4 - Strands 3/4" up



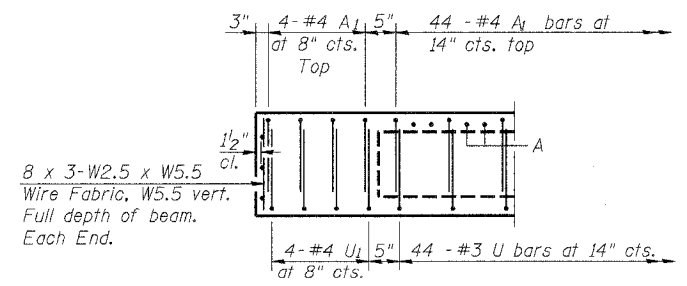
PLAN



FIXED ABUTMENT



HALF CROSS SECTION



END ELEVATION

NOTES

- Prestressing steel shall be uncoated high strength, stress-relieved 7-wire strand, Grade 270.
- The nominal diameter shall be 1/2" and the nominal cross-sectional area shall be 0.153 sq. in.
- See Special Provisions for lifting devices.
- The 1" rods in the transverse tie assembly shall be tightened to a snug fit and the threads set. Pockets that receive transverse tie bar on outside shall be filled with grout after transverse tie assembly is in place.
- The bearing seat surfaces shall be adjusted by shimming to assure firm and even bearing. Two 1/8" fabric adjusting shims of the dimensions of the Exterior Bearing Pad shall be provided for each bearing.
- Keyway surfaces shall be cleaned to remove form oil or other bond breaking material prior to shipment of the beams. Cleaning shall be done by sandblasting the keyway areas between top of the beam and the bottom edge of the key.
- Required Release Strength, f'ci, shall be 4,000 p.s.i.
- An equal substitution of the low-relaxation strands for the stress-relieved strands will be permitted. However, the initial prestressing force applied to each strand shall be a maximum of 28,900 pounds per strand.

BILL OF MATERIAL FOR ONE BEAM

Bar	No.	Size	Length	Shape
A	94	#3	2'-8"	—
A ₁	52	#4	6'-1"	⌒
B	4	#5	29'-0"	—
B ₁	8	#5	11'-3"	—
B ₂	4	#4	28'-9"	—
U	44	#3	6'-9"	⌒
U ₁	8	#4	6'-9"	⌒
Precast Prestressed Concrete Deck Beams		Sq. Ft.	167	
Reinforcement Bars		Pound	740	
Total Weight		Pound	33,460	

PRECAST PRESTRESSED CONCRETE DECK BEAM DETAILS
PROPOSED BRIDGE CARRYING TR 442 OVER TRIBUTARY TO BIG CREEK
SECTION 05-08121-00-BR
FAYETTE COUNTY, ILLINOIS

Sheet 8 of 10
Job No. 51105

08/14/2006