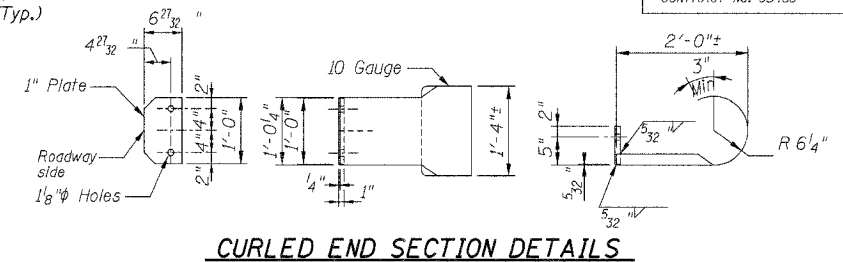
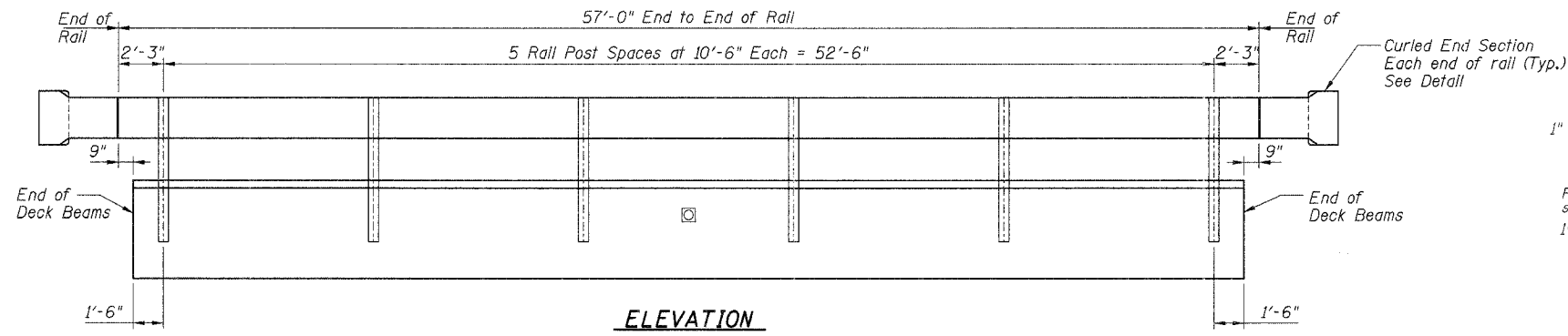
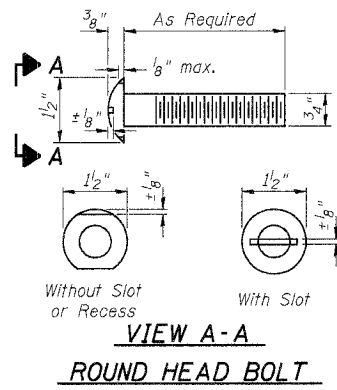


ROUTE	SECTION	COUNTY	TOTAL SHEETS	SHEET NO.
TR 442	05-08121-00-BR	FAYETTE	10	9
FED. ROAD DIST. NO. 7		ILLINOIS	FEDERAL AID PROJECT	
CONTRACT NO. 95489				



Curlled End Sections shall be included in the Contract unit price per foot for "STEEL RAILING, TYPE S1" and no additional compensation will be allowed.

NOTES

Hollow structural steel tubing shall conform to the requirements of ASTM designation A-500 Grade B Structural Steel Tubing and shall meet the longitudinal CVN requirements of 15 ft-lbs at 0° F.

All other steel shapes and plates shall conform to the requirements of AASHTO M-270 Grade 36 except posts and angles shall conform to AASHTO M-270, Grade 50.

Bolts, cap screws, and nuts shall conform to the requirement of ASTM designation A-307 except for high strength bolts, nuts and washers noted which shall conform to AASHTO M-164.

All bolts, nuts, cap screws, washers and lock washers shall be galvanized in accordance with AASHTO M-232.

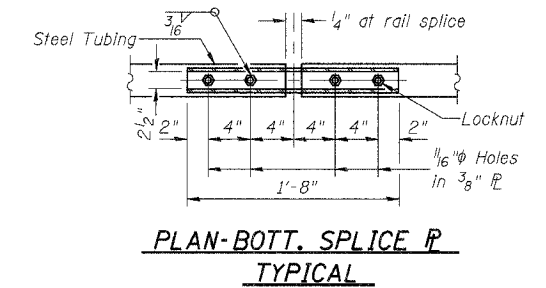
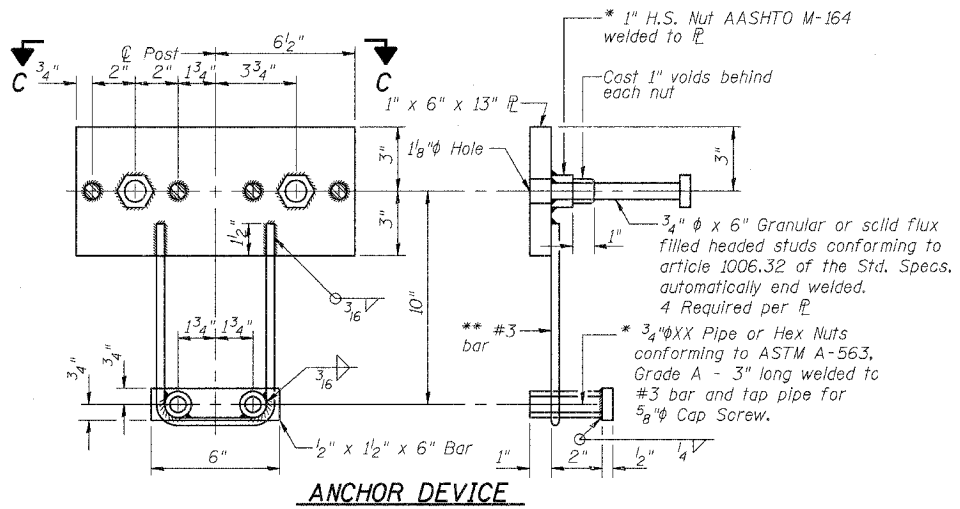
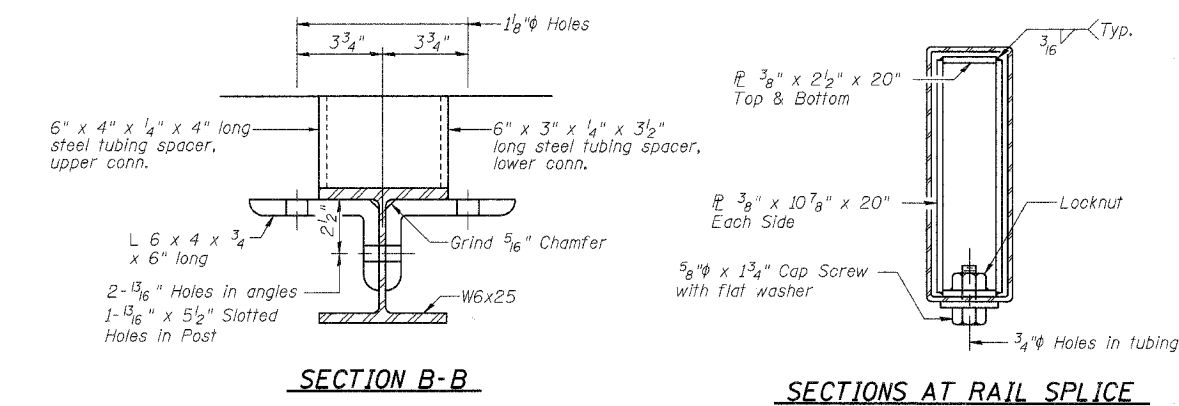
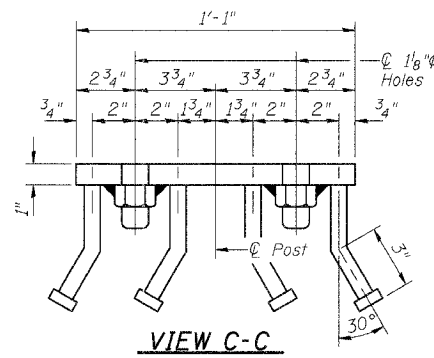
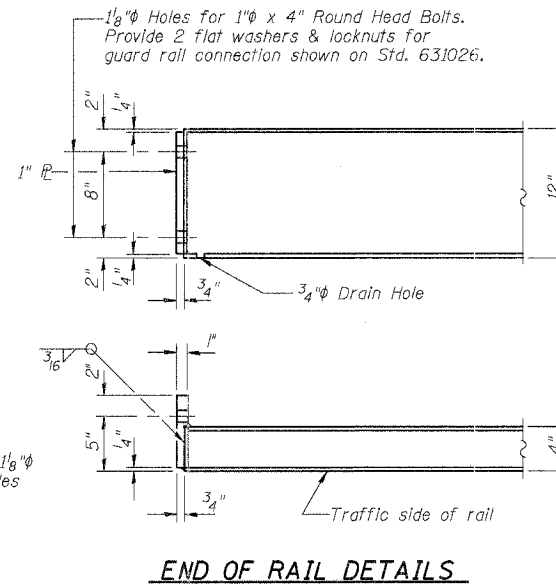
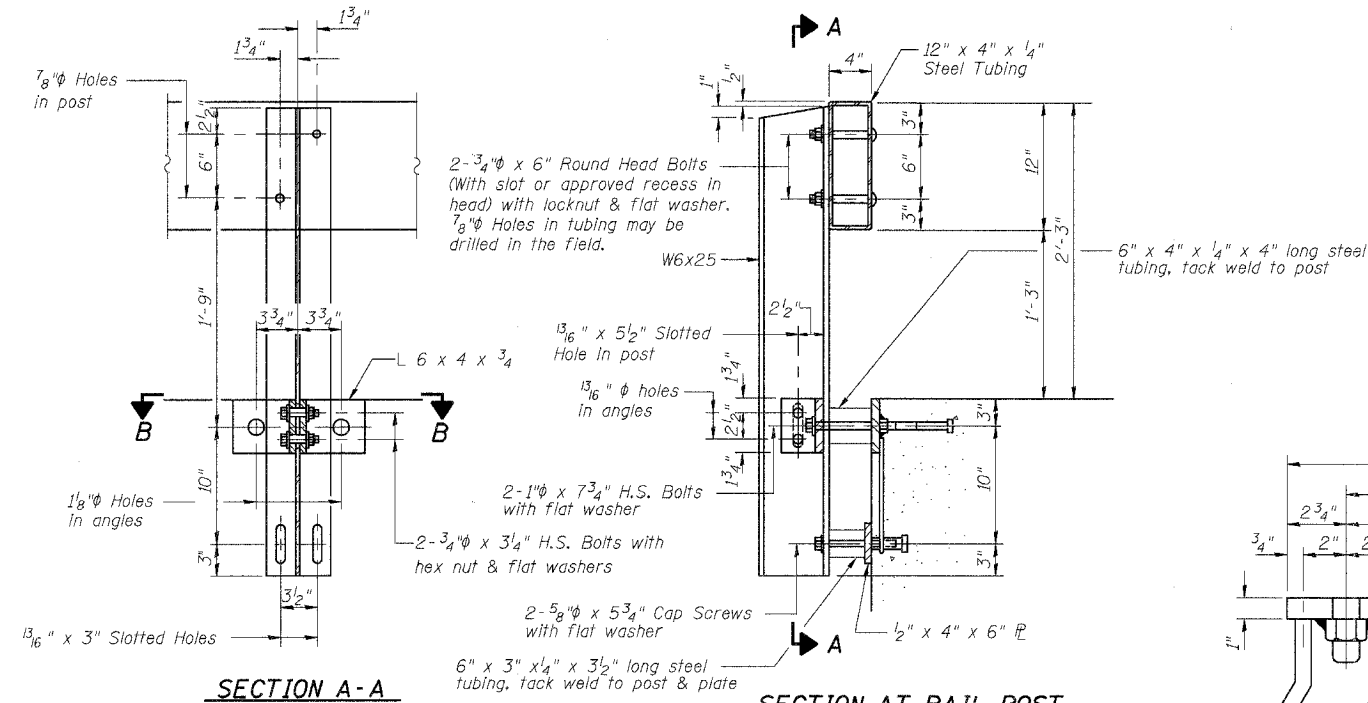
All posts, railing, rail splices, anchor devices and angles shall be galvanized after shop fabrication in accordance with AASHTO M-111 and ASTM A-385. Galvanized rail shall not be painted.

Railing shall be in accordance with Section 509 of the Standard Specifications, except as noted, and will be paid for at the contract unit price per foot for STEEL RAILING, TYPE S1.

All field drilled holes shall be coated with an approved zinc rich paint before erection.

The lower portion of the post flange in contact with concrete shall receive two coats of asphalt paint conforming to Section 1060.07 Type II or place 1/8" fabric bearing pad between the post and concrete.

The 3/4" high strength bolts used to connect the 6 x 4 x 3/4 angles to the post shall be tightened in accordance with Article 505.04(f)(2) of the Standard Specifications. The 1" high strength bolts connecting the angles to the concrete shall be tightened to a snug fit and given an additional 1/8 turn. The 5/8" cap screws in bottom of posts shall be tightened to a snug fit only.



BILL OF MATERIAL

Item	Unit	Quantity
Steel Railing, Type S1	Foot	114

STEEL RAILING, TYPE S1 DETAILS
PROPOSED BRIDGE CARRYING TR 442
OVER TRIBUTARY TO BIG CREEK
SECTION 05-08121-00-BR
FAYETTE COUNTY, ILLINOIS

Sheet 9
of 10
Job No. 51105

08/14/2006

* Threaded areas shall be plugged or blocked off during casting of beam.
** Whenever the lower insert assemblies interfere with strand locations, the #3 bars shall be cut and adjusted in order to allow raising or lowering of the lower inserts. Maximum adjustment not to exceed 1/2".