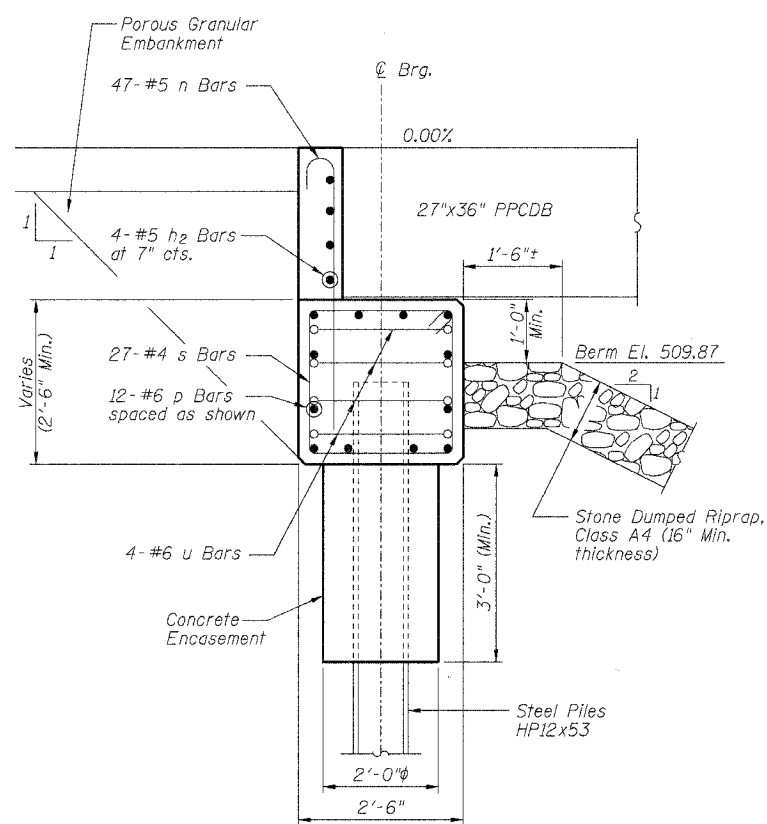
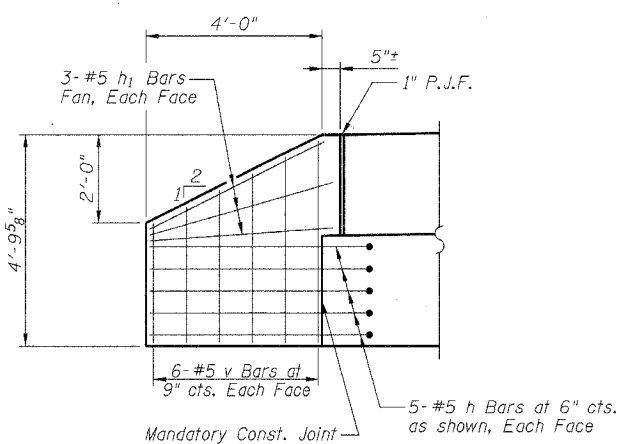


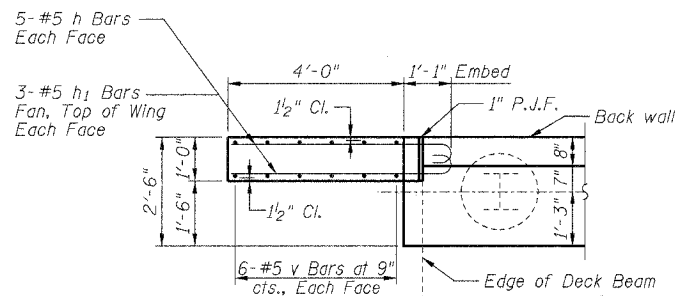
ROUTE	SECTION	COUNTY	TOTAL SHEETS	SHEET NO.
TR 442	05-08121-00-BR	FAYETTE	10	10
FED. ROAD DIST. NO. 7		ILLINOIS	FED. AID PROJECT	
CONTRACT NO. 95489				



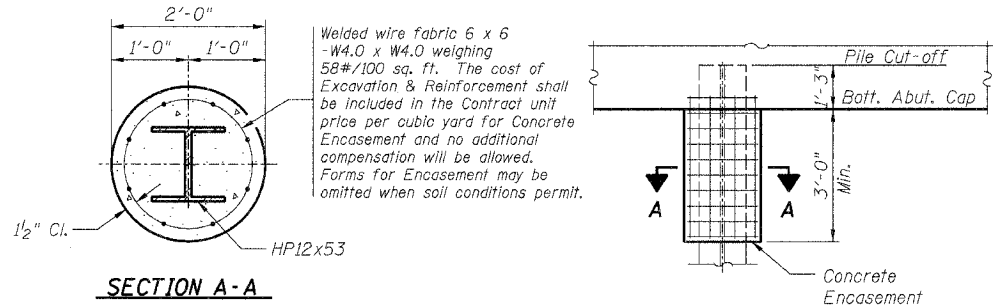
SECTION THRU ABUTMENT
Normal to Abutment



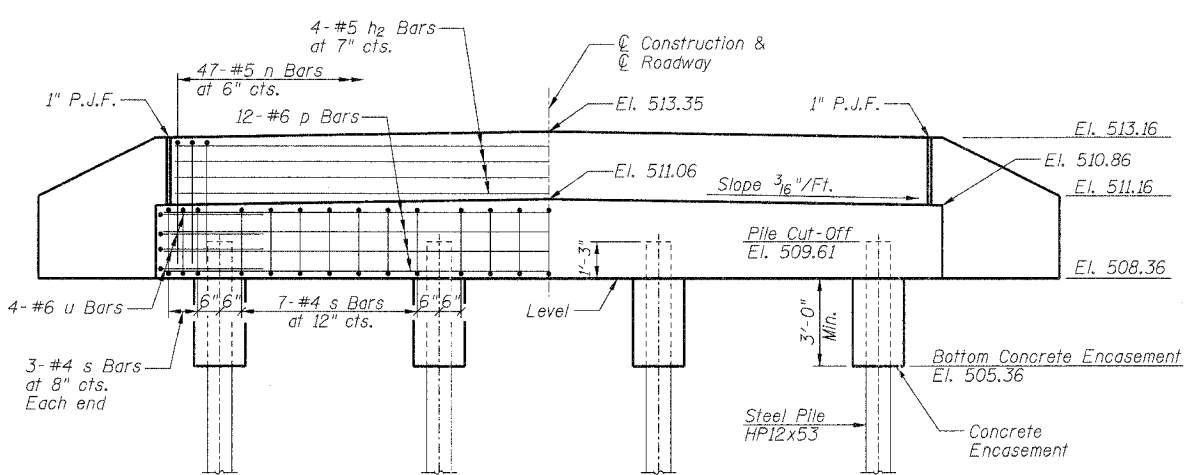
ELEVATION OF WINGWALL



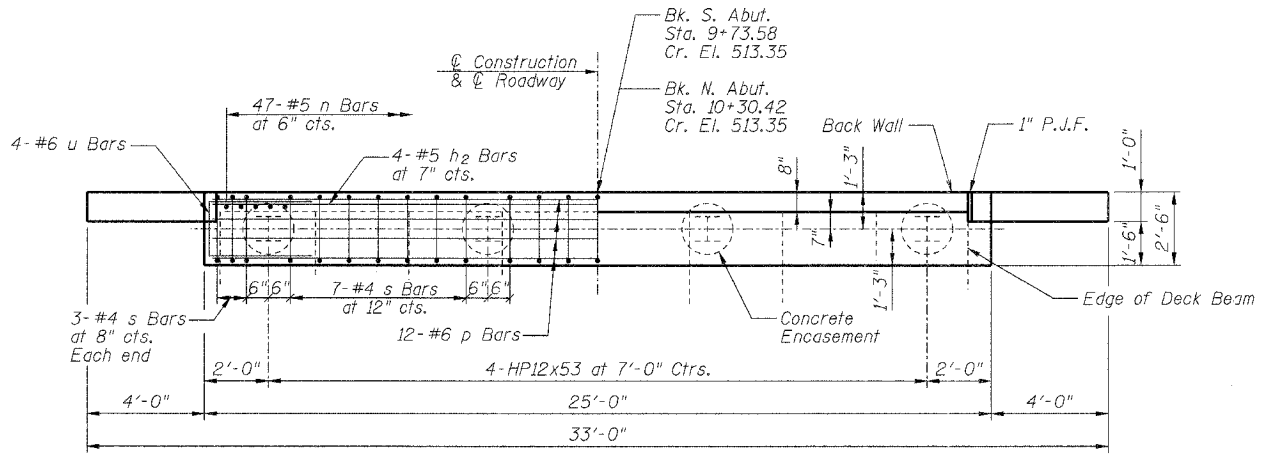
WINGWALL CONNECTION DETAIL



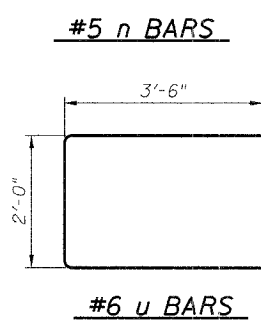
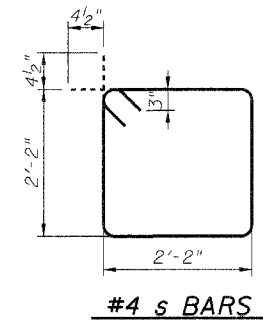
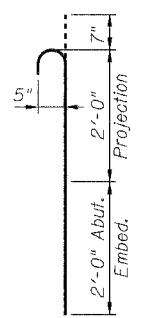
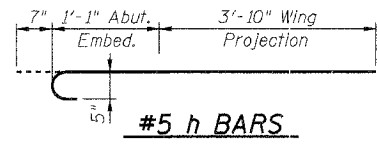
PILE ENCASEMENT DETAIL



ELEVATION



PLAN



PILE DATA

Type:
South Abutment Steel HP12x53
North Abutment Steel HP12x53

Estimated Length:
South Abutment 45 Foot
North Abutment 45 Foot

Number Required:
South Abutment 3+1 Test Pile
North Abutment 4

Total Estimated Length for Both Abutments:
(Does not include Test Pile) Steel HP12x53 315 Foot

Capacity: Drive to Refusal (See Note below)

BILL OF MATERIALS
ONE ABUTMENT w/ WINGWALLS

Bar	No.	Size	Length	Shape
h	20	#5	5'-6"	U
h1	12	#5	4'-3"	U
h2	4	#5	23'-8"	U
n	47	#5	4'-7"	U
p	12	#6	24'-8"	U
s	27	#4	9'-5"	U
u	8	#6	9'-0"	U
v	24	#5	4'-6"	CUT IN FIELD
Concrete Structures		Cu Yd	8.6	
Reinforcement Bars		Pound	1330	
Concrete Encasement		Cu Yd	1.4	

GENERAL NOTES

All exposed edges shall have standard 3/4" chamfer, unless otherwise noted.

All clearances between reinforcement bars and form surface shall be 2", unless otherwise noted.

The Contractor shall drive one (1) Steel HP12x53 Test Pile in a permanent location at the South Abutment as directed by the Engineer before ordering the remainder of the piles.

The Contractor is advised that some upper level layers of stiff soils may be encountered prior to the location of anticipated refusal. See the Soil Borings for further information.

Space reinforcement in cap to miss PPCDB dowel rods.

ABUTMENT DETAILS
PROPOSED BRIDGE CARRYING TR 442
OVER TRIBUTARY TO BIG CREEK
SECTION 05-08121-00-BR
FAYETTE COUNTY, ILLINOIS

Sheet 10 of 10
Job No. 51105

08/14/2006