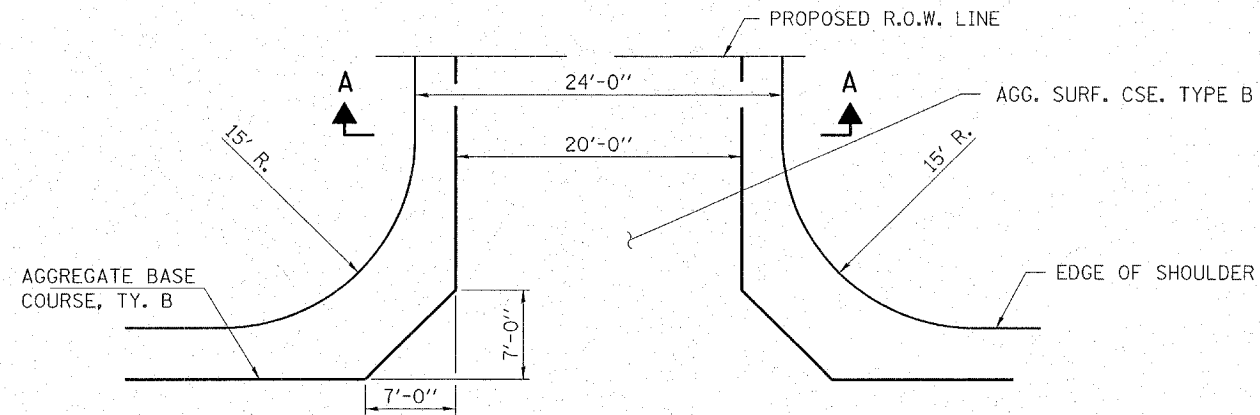
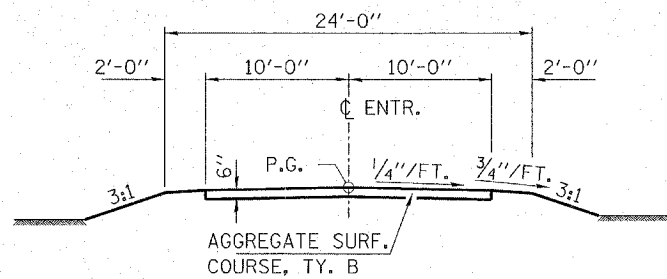


|                     |                |                  |           |              |
|---------------------|----------------|------------------|-----------|--------------|
| ROUTE NO.           | SECTION        | COUNTY           | SHEET NO. | TOTAL SHEETS |
| T.R. 101            | 03-03127-00-BR | MOULTRIE         | 15        | 3            |
| FED. ROAD DIST. NO. | ILLINOIS       | FED. AID PROJECT |           |              |

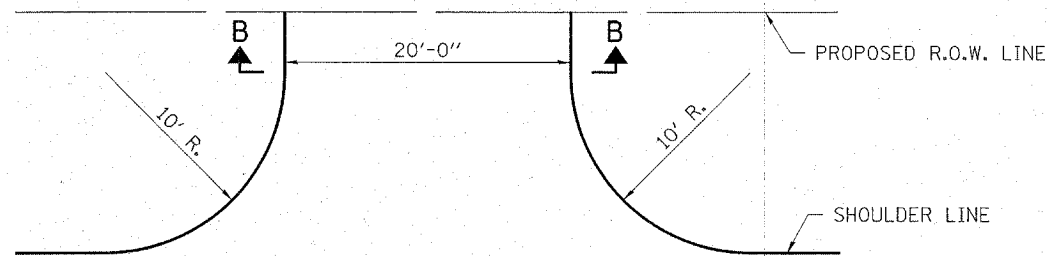
CONTRACT NO. 95490



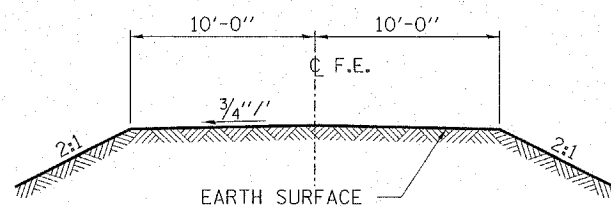
**PRIVATE ENTRANCE DETAIL**



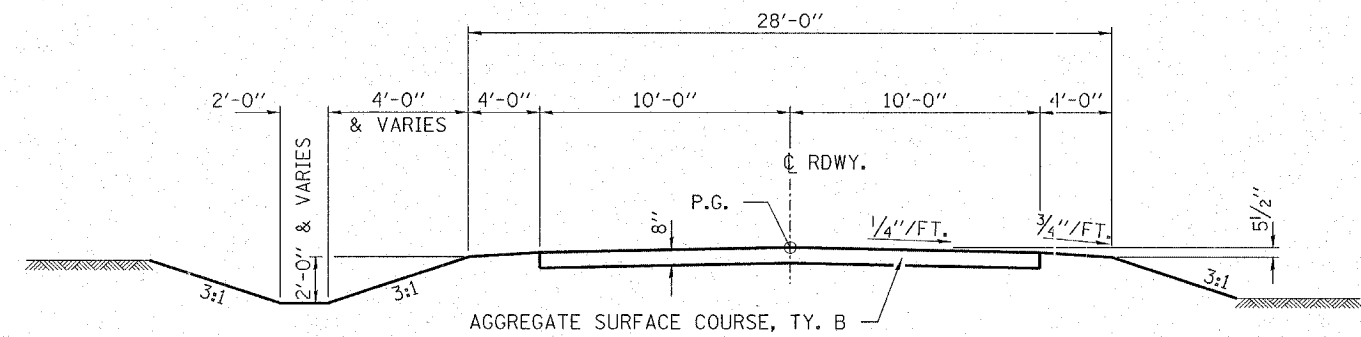
**SECTION A-A**



**FIELD ENTRANCE DETAIL**



**SECTION B-B**



SUGGESTED CUT SECTION  
CONSTRUCT AS SHOWN IN  
STATION CROSS SECTIONS

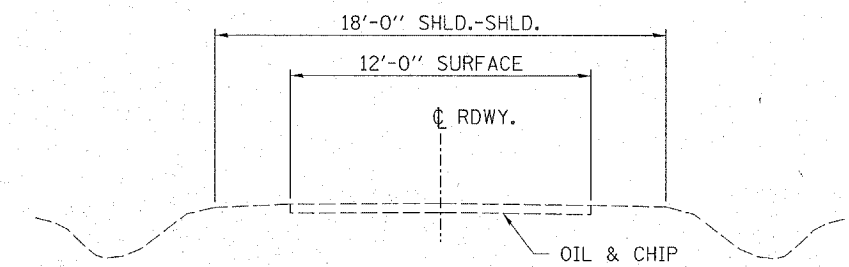
SUGGESTED FILL SECTION  
CONSTRUCT AS SHOWN IN  
STATION CROSS SECTIONS

ROAD CLASSIFICATION - LOCAL ROAD 0-250 ADT  
CURRENT ADT 29  
DESIGN SPEED: 30 M.P.H.

**TYPICAL CROSS SECTION**

STA. 8+50 TO 12+00

TRANSITION FROM THE PROPOSED ROADWAY TO THE EXISTING ROADWAY IS TO BE CONSTRUCTED FROM STA. 8+00 TO 8+50 AND STA. 12+00 TO 12+50. SEE SHEET 9 FOR TRANSITION AT BRIDGE.



**EXISTING CROSS SECTION**

**HAMPTON, LENZINI & RENWICK, INC.**  
CIVIL & STRUCTURAL ENGINEERS

3085 STEVENSON DRIVE, SUITE 201  
SPRINGFIELD, ILLINOIS 62703  
(217) 546-3400

**ELGIN • SPRINGFIELD**

PROJECT NUMBER: 12-72-0015-1 DATE: 07/12/06  
DESIGNED: T.P.L. CHECKED: S.W.M. DRAWN: D.T.M.

**TYPICAL CROSS SECTIONS**  
JONATHAN CREEK ROAD DISTRICT  
SECTION 03-03127-00-BR  
MOULTRIE COUNTY