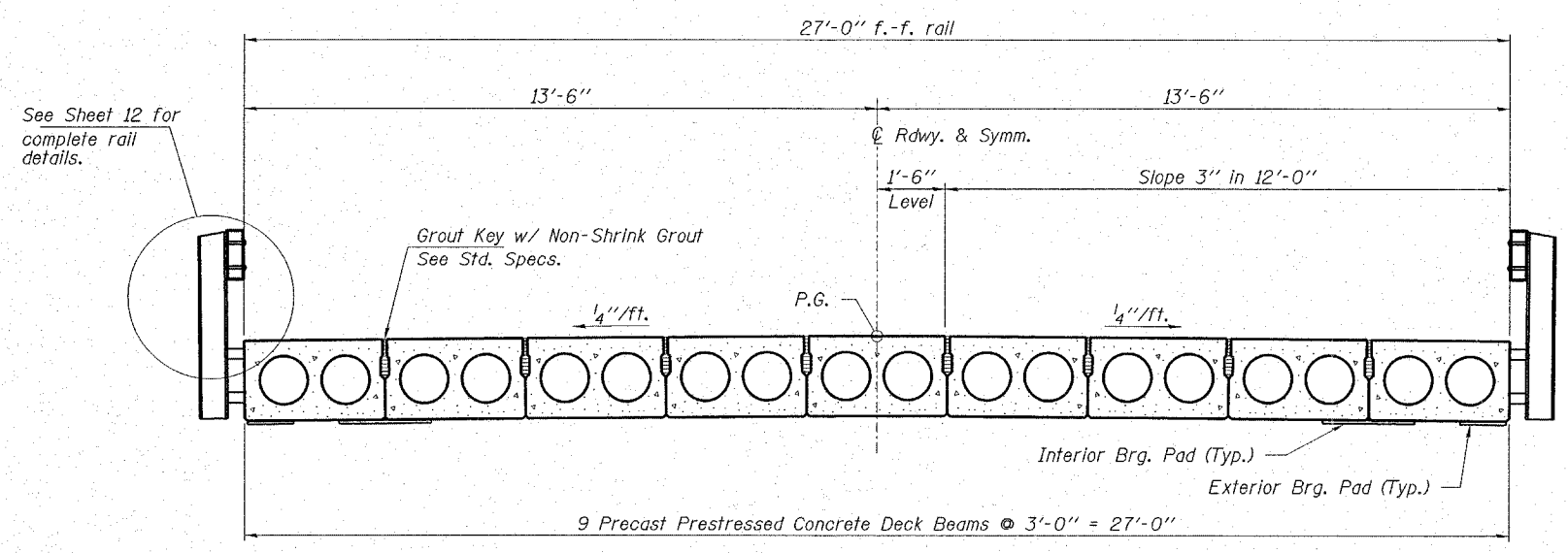
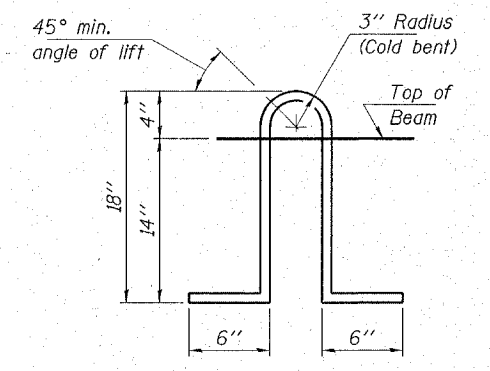


ROUTE NO.	SECTION	COUNTY	TOTAL SHEETS	SHEET NO.
T.R. 101	03-03127-00-BR	MOULTRIE	15	10
FED. ROAD DIST. NO.	ILLINOIS	FED. AID PROJECT	CONTRACT NO. 95490	



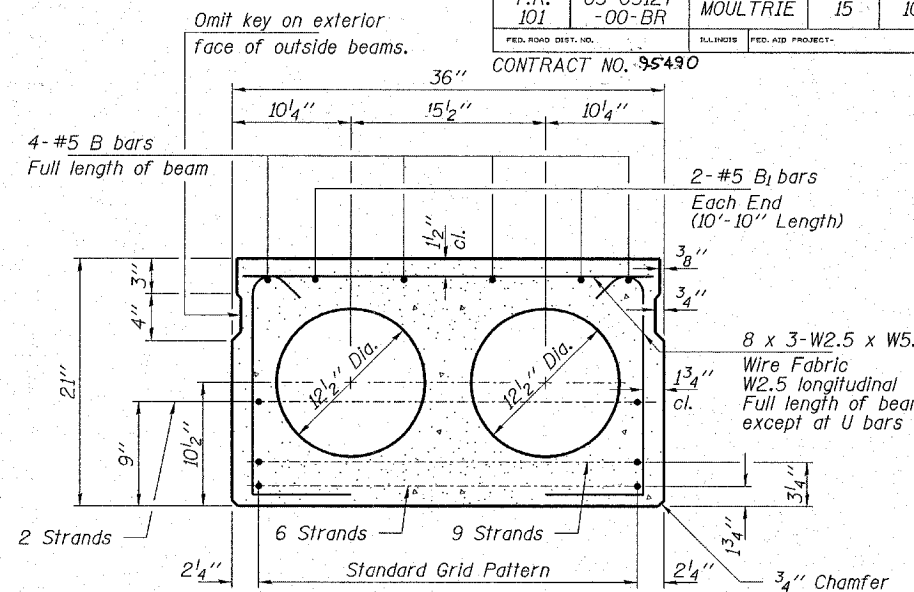
**CROSS SECTION**



**LIFTING LOOP DETAIL**

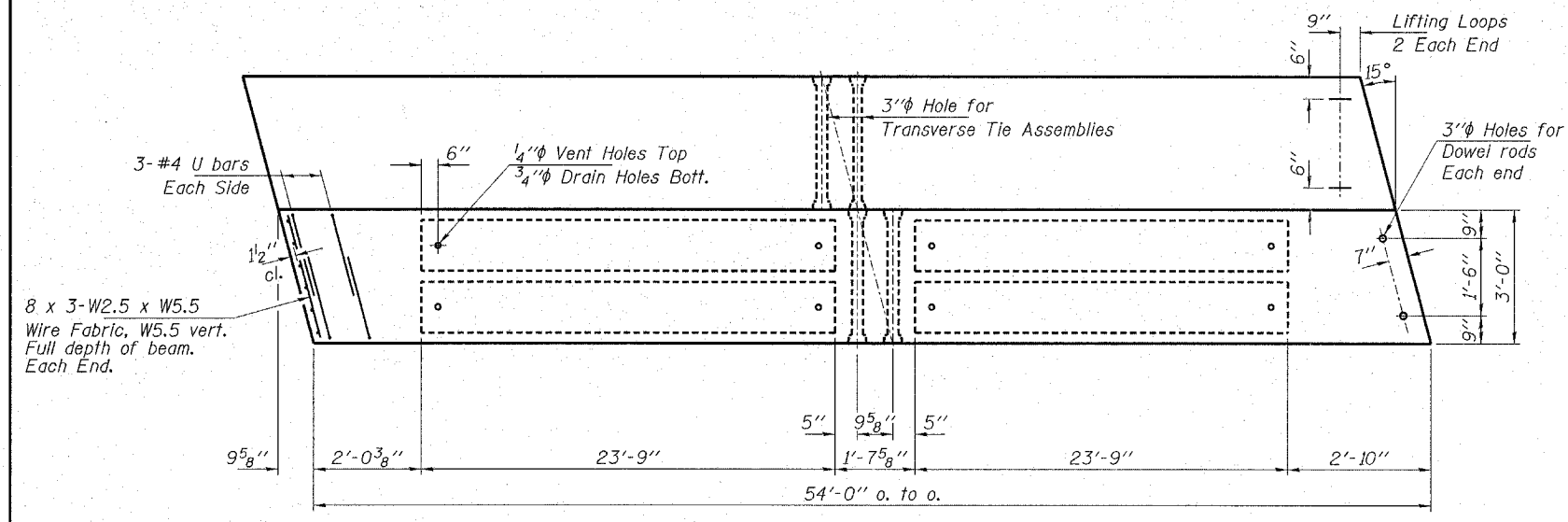
Approved alternate may be substituted for the above.  
Approx. Weight of 1 Beam = 29,700 lbs.

Note:  
The loop shall be formed in a manner such that all strands are engaged during lifting. Loops shall be burned off after beams have been erected.

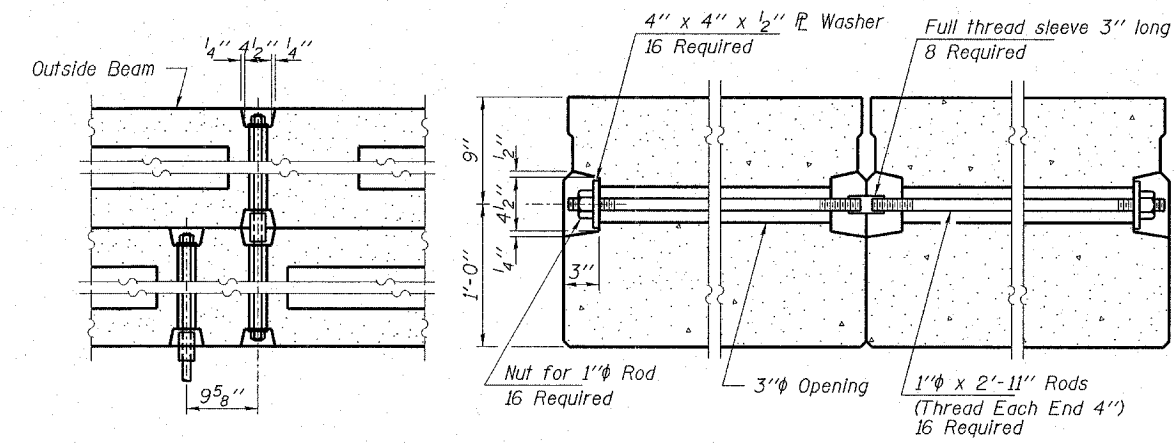


**TYPICAL SECTION**

Note: Place strands symmetrically about C of beam.  
16-1/2" φ Strands, Each Strand Stressed to 30,900 Lbs.  
6-Strands 1 3/4" up, 8-Strands 3/4" up, 2 Strands 9" up



**PLAN**



**TYPICAL TRANSVERSE TIE ASSEMBLY**

**NOTES**

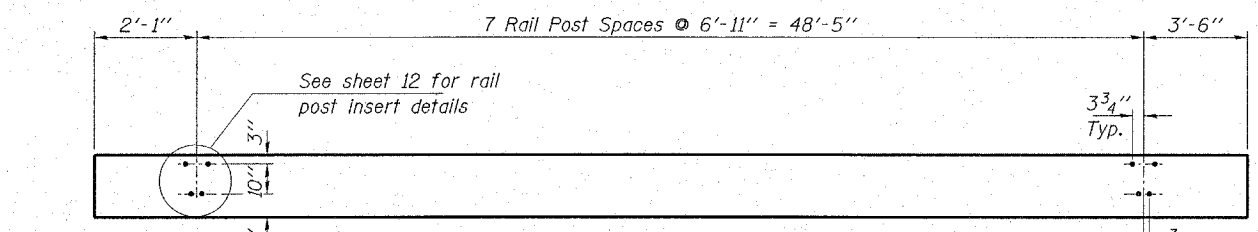
Prestressing steel shall be non-galvanized high strength, low-relaxation 7-wire strand, Grade 270. The nominal diameter shall be 1/2" and the nominal cross-sectional area shall be 0.153 sq. in. Lifting loops shall be 2-2" φ-270 ksi strands, as shown. Reinforcement bars shall conform to the requirements of AASHTO M-31 or M-322 Grade 60. The bearing seat surfaces shall be adjusted by shimming to assure firm and even bearing. Two 8" fabric adjusting shims of the dimensions of the Exterior Bearing Pad shall be provided for each bearing. Keyway surfaces shall be cleaned to remove form oil or other bond breaking material prior to shipment of the beams. Cleaning shall be done by sandblasting the keyway areas between top of the beam and the bottom edge of the key. Required Release Strength, f'ci, shall be 4,000 p.s.i. The 1" φ rods in the transverse tie assembly shall be tightened to a snug fit and the threads set. Pockets that receive transverse tie bar on outside shall be filled with grout after transverse tie assembly is in place.

**BILL OF MATERIAL**

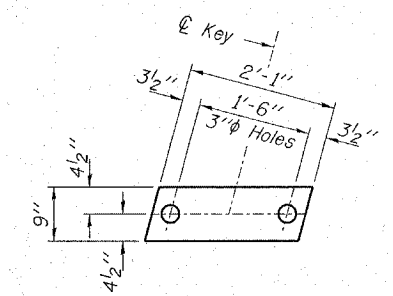
ITEM	UNIT	QUANTITY
Precast Prestressed Concrete Deck Beams (21" Depth)	Sq. Ft.	1,458

**HAMPTON, LENZINI & RENWICK, INC.**  
CIVIL & STRUCTURAL ENGINEERS  
**HLR**  
3085 STEVENSON DRIVE, SUITE 201  
SPRINGFIELD, ILLINOIS 62703  
(217) 548-3400  
ELGIN • SPRINGFIELD  
PROJECT NUMBER: 12-72-0015-1 DATE: 07/12/06  
DESIGNED: T.P.L. CHECKED: S.W.M. DRAWN: D.T.M.

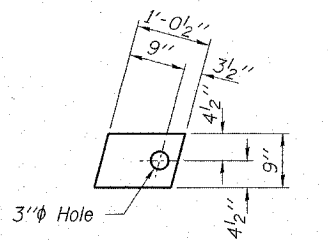
**SUPERSTRUCTURE**  
JONATHAN CREEK ROAD DISTRICT  
SECTION 03-03127-00-BR  
MOULTRIE COUNTY  
STR. NO. 070-4333 / STATION 9+95



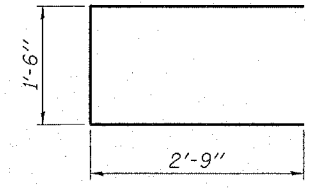
**ELEVATION OF OUTSIDE BEAMS**  
Showing Rail Post Spacing



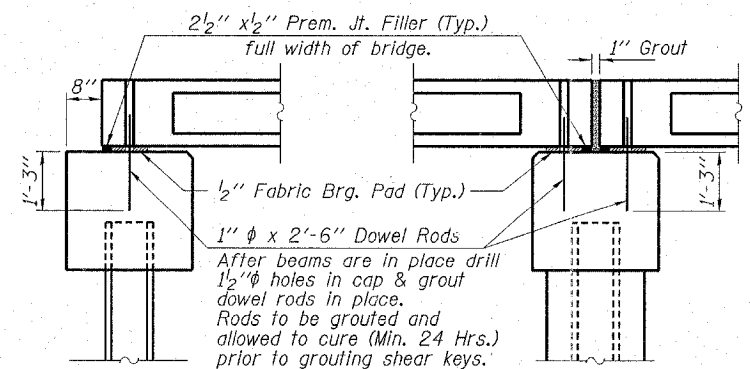
**FABRIC BEARING PAD**  
(Interior - 16 Req'd)



**FABRIC BEARING PAD**  
(Exterior - 4 Req'd)



**BAR U**



**SECTION AT ABUTMENTS**  
© Rt. L's

**SECTION AT PIERS**  
© Rt. L's