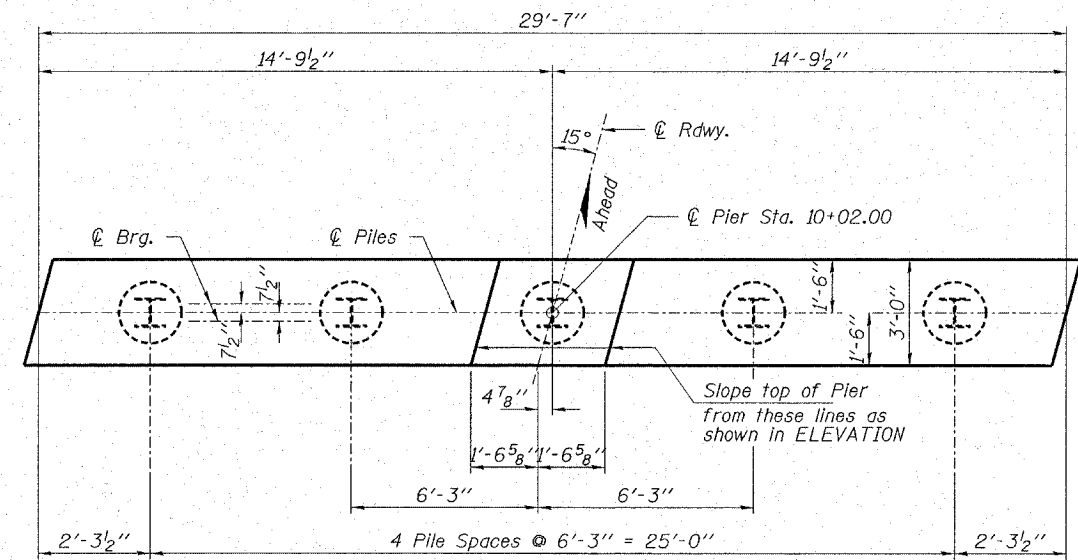
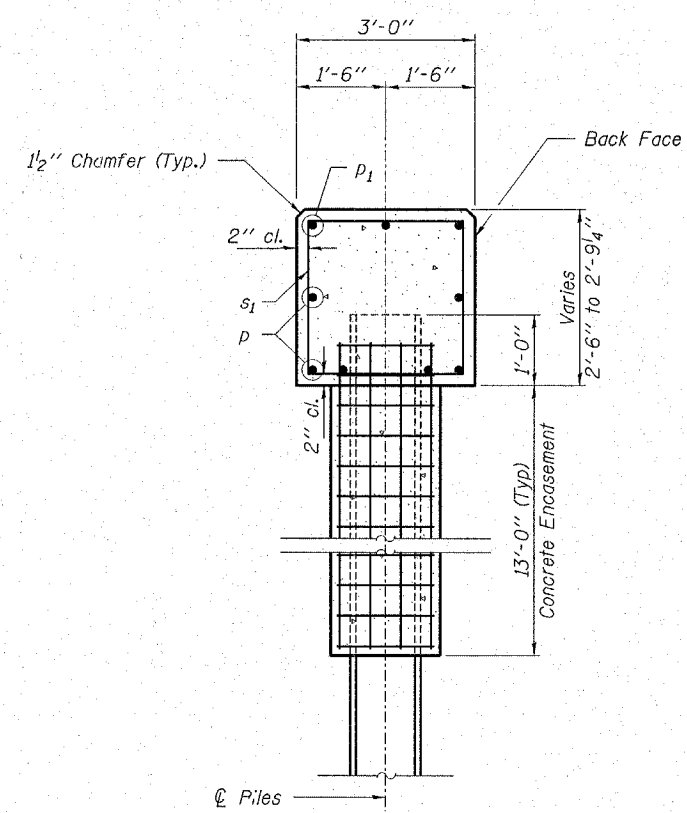


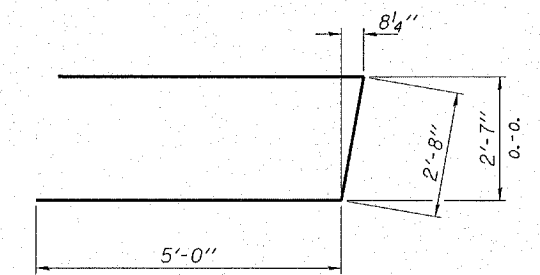
CONTRACT NO. 9549D



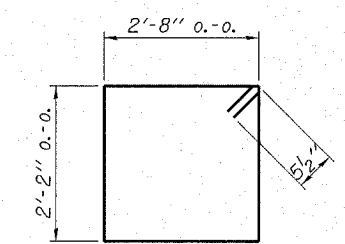
PLAN



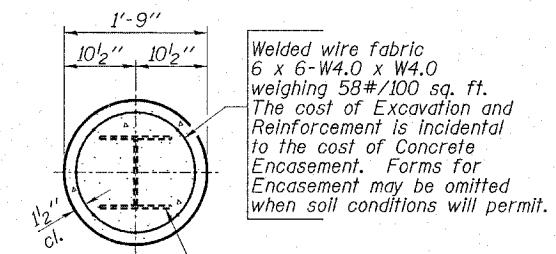
SECTION A-A



BAR u1

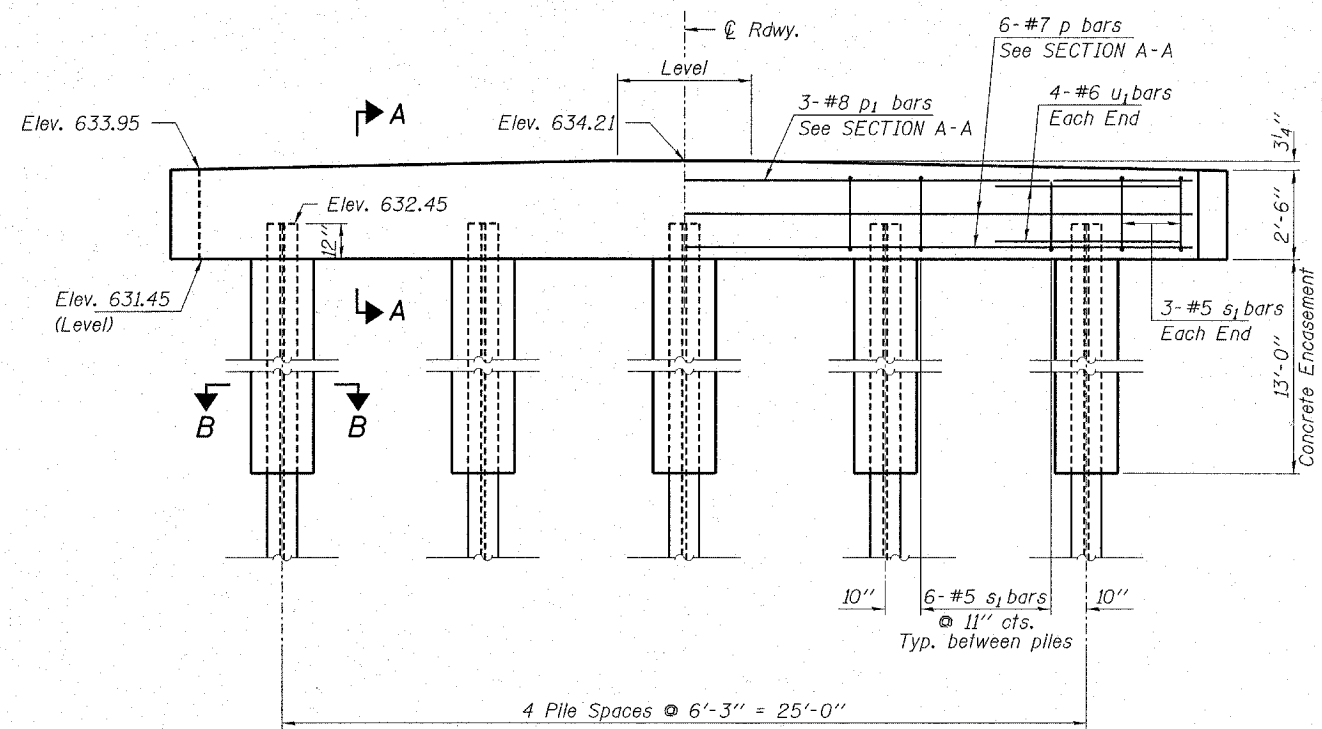


BAR s1



SECTION B-B

Welded wire fabric  
6 x 6-W4.0 x W4.0  
weighing 58#/100 sq. ft.  
The cost of Excavation and  
Reinforcement is incidental  
to the cost of Concrete  
Encasement. Forms for  
Encasement may be omitted  
when soil conditions will permit.



ELEVATION  
(Looking North)

PILE DATA

Type.....Steel HP10x42  
No. Req'd. (1 Pier) .....5  
Capacity.....46 Ton/Pile  
Est. Length.....30 Feet/Pile

BILL OF MATERIAL - PIER

BAR	NO.	SIZE	LENGTH	SHAPE
p	6	#7	29'-4"	—
p1	3	#8	29'-4"	—
s1	50	#5	10'-7"	□
u1	8	#6	12'-8"	U
Concrete Structures			Cu. Yd.	8.7
Reinforcement Bars			Pound	1,300
Steel Piles HP10x42			Foot	150
Concrete Encasement			Cu. Yd.	5.8

**HAMPTON, LENZINI & RENWICK, INC.**  
CIVIL & STRUCTURAL ENGINEERS

3085 STEVENSON DRIVE, SUITE 201  
SPRINGFIELD, ILLINOIS 62703  
(217) 546-3400

ELGIN • SPRINGFIELD

PROJECT NUMBER: 12-72-0015-1 DATE: 07/12/06  
DESIGNED: T.P.L. CHECKED: S.W.M. DRAWN: D.T.M.

PIER

JONATHAN CREEK ROAD DISTRICT

SECTION 03-03127-00-BR

MOULTRIE COUNTY

STR. NO. 070-4333 / STATION 9+95