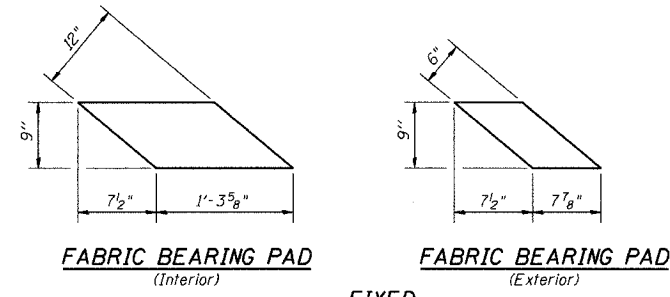


ROUTE NO.	SECTION	COUNTY	TOTAL SHEETS	SHEET NO.
T.R. 34	05-07157-00-BR	MACON	II	8
FED. ROAD DIST. NO.		ILLINOIS PROJECT: BR05-115(89)		

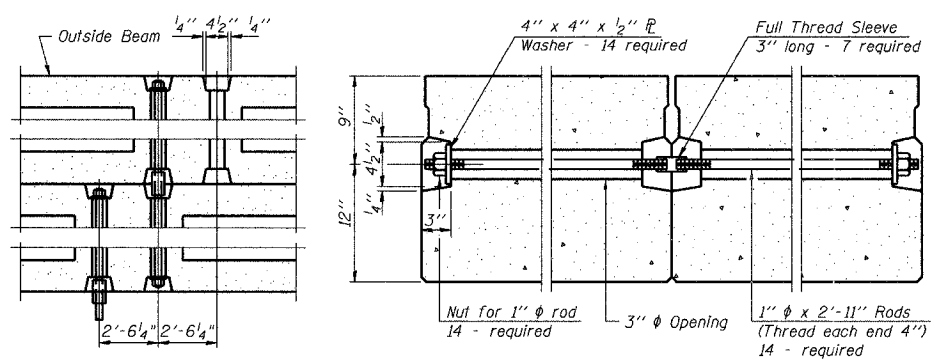
CONTRACT NO. 95494



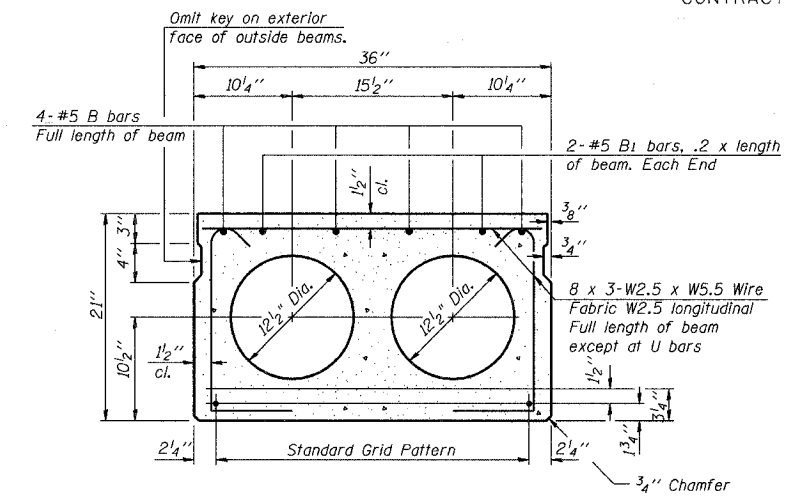
**FABRIC BEARING PAD**  
(Interior)      **FABRIC BEARING PAD**  
(Exterior)

**FIXED**

Note: Alternate Bearing Pads Required for Skews > 30°  
(See Fig. 2.3.25 of IDOT Prestressed Manual)



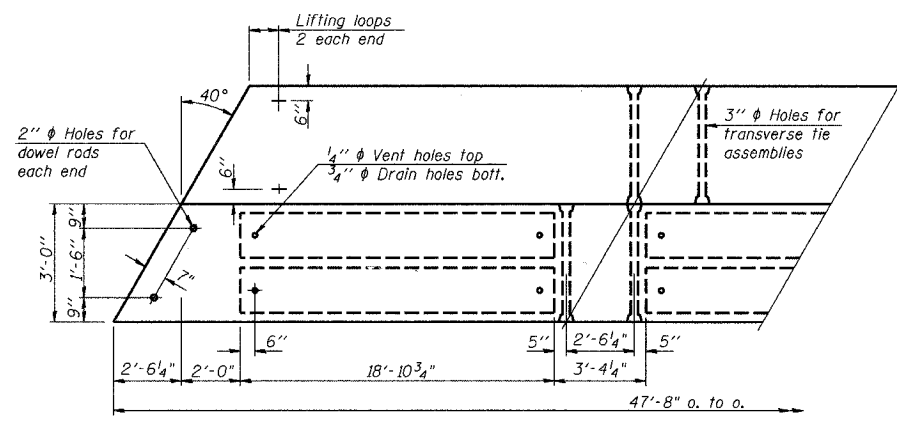
**TYPICAL TRANSVERSE TIE ASSEMBLY**



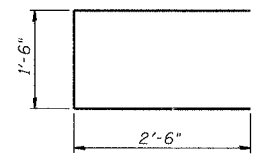
**TYPICAL SECTION**

1/2" phi Strands, Each Strand Stressed to 30,900 Lbs.  
8-Strands 1 3/4" up, 4-Strands 3/4" up,  
and 2-Strands 12" up

Note:  
Place strands symmetrically  
about center of beam.

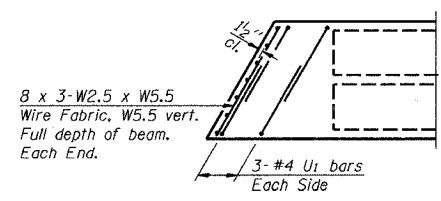
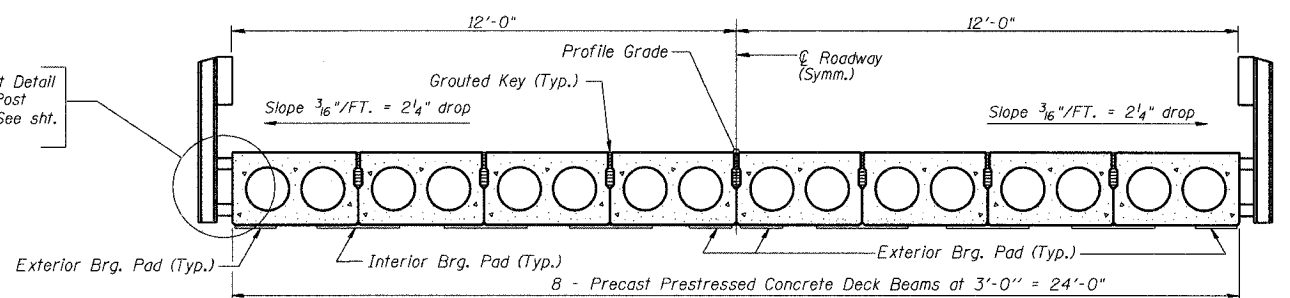


**PLAN**

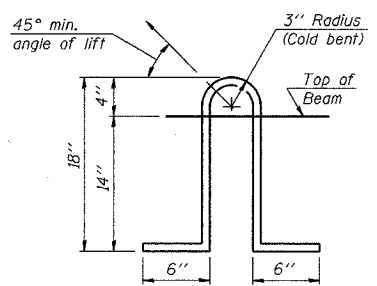


**BAR U1**

For Insert Detail and Rail Post Spacing, See sht. 3 of 5.



**END PLAN**



**LIFTING LOOP DETAIL**

**NOTES**

Prestressing steel shall be uncoated high strength, low relaxation 7-wire strand, Grade 270. The nominal diameter shall be 1/2" and the nominal cross-sectional area shall be 0.153 sq. in. Lifting loops shall be 2 - 1/2" phi-270 ksi strands, as shown. The 1" phi rods in the transverse tie assembly shall be tightened to a snug fit and the threads set. Pockets that receive transverse tie bar on outside shall be filled with grout after transverse tie assembly is in place. Non prestressing steel shall conform to AASHTO M-31 or M-322, Grade 60. The bearing seat surfaces shall be adjusted by shimming to assure firm and even bearing. Two 1/8" fabric adjusting shims of the dimensions of the Exterior Bearing Pad shall be provided for each bearing. Keyway surfaces shall be cleaned to remove form oil or other bond breaking material prior to shipment of the beams. Cleaning shall be done by sandblasting the keyway areas between top of the beam and the bottom edge of the key. Corrosion inhibitor, as covered in the Special Provisions, shall be used in the concrete for precast prestressed concrete deck beams. Required Release Strength, f'cl, shall be 4000 p.s.i. Longitudinal Keys shall be grouted.

**BILL OF MATERIAL**

Bar	No.	Size	Length	Shape
Precast Prestressed Conc. Deck Bms.		Sq. Ft.	1144	

**SUPERSTRUCTURE**

Date	Designed MJP	T.R. 34 OVER UNNAMED DRAINAGE DITCH SECTION 05-07157-00-BR MACON COUNTY STA. 14+99.74 PROP. STR. NO. 058-3380	Sheet No.
Revisions	Drawn BKN		<b>2</b>
	Checked TDN		
	Approved TDN		
Prepared by:	<b>URS</b> 345 East Ash Avenue Decatur, IL 62526		
			URS Job No. 36431679