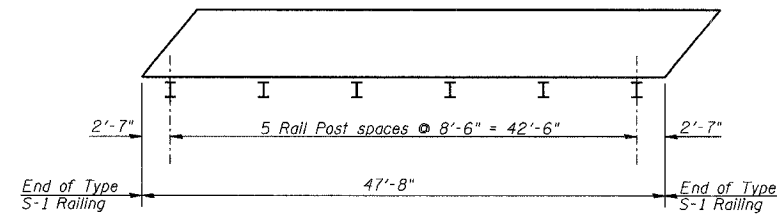
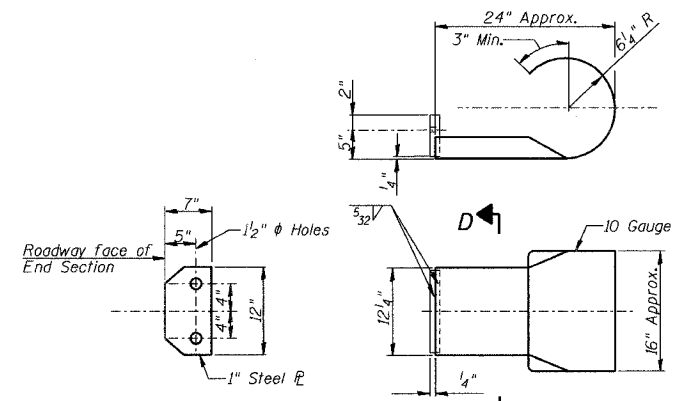


ROUTE NO.	SECTION	COUNTY	TOTAL SHEETS	SHEET NO.
T.R. 34	05-07157-00-BR	MACON	II	9
FED. ROAD DIST. NO.		ILLINOIS PROJECT: BROS-115(59)		

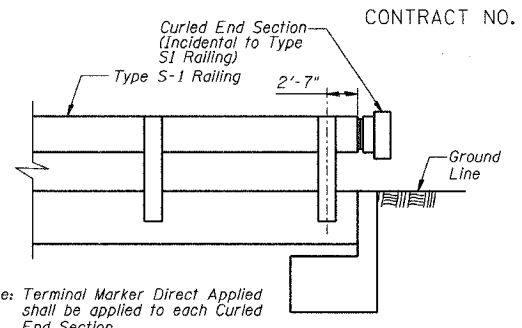
CONTRACT NO. 95494



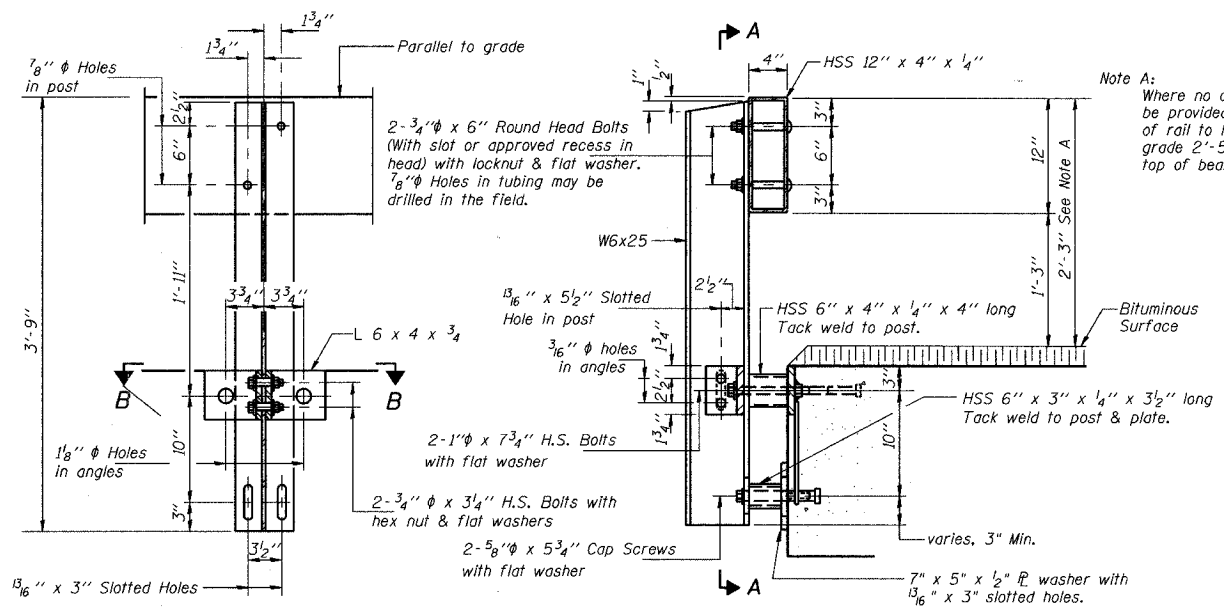
PLAN VIEW - EXTERIOR BEAM
(Showing Rail Post Spacing)



SECTION D-D
CURLLED END SECTION DETAILS
(4 Required)

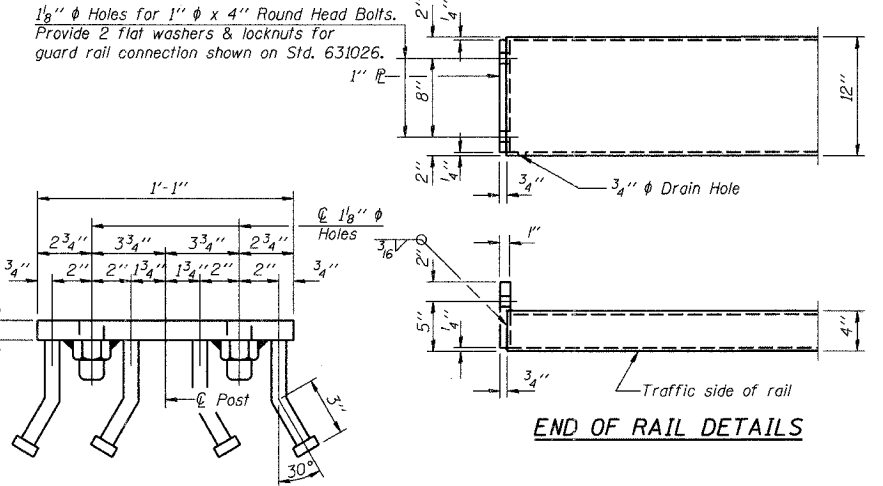


Note: Terminal Marker Direct Applied shall be applied to each Curled End Section.

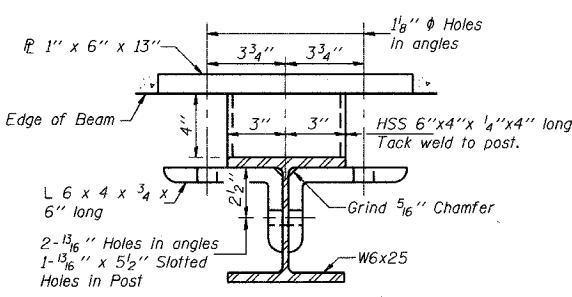


SECTION A-A
SECTION AT RAIL POST

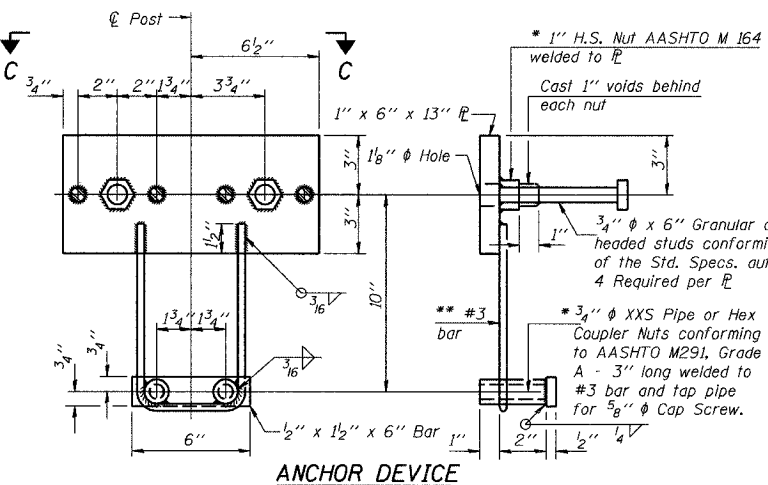
Note A: Where no overlay is to be provided adjust top of rail to lay parallel to grade 2'-5" max. above top of beam.



VIEW C-C
END OF RAIL DETAILS

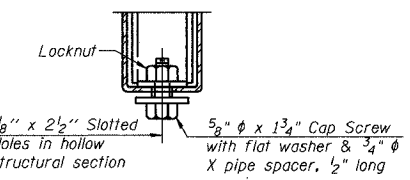


SECTION B-B

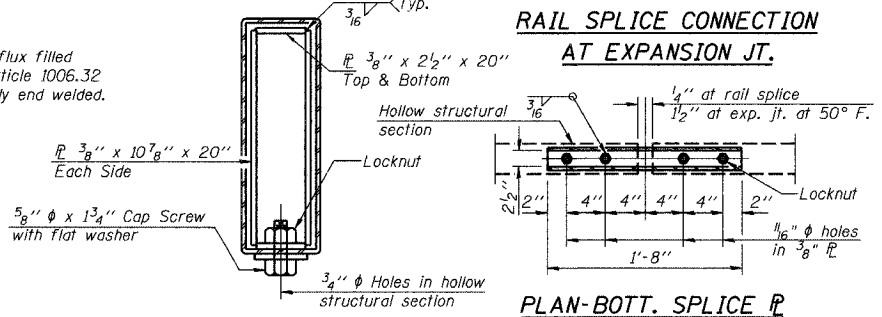


ANCHOR DEVICE
* Threaded areas shall be plugged or blocked off during casting of beam.

** Whenever the lower insert assemblies interfere with strand locations, the #3 bars shall be cut and adjusted in order to allow raising or lowering of the lower inserts. Maximum adjustment not to exceed 1/2".



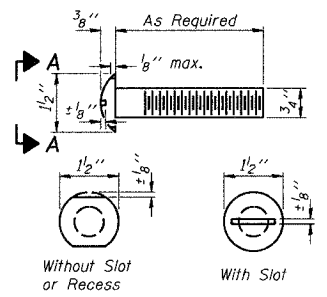
RAIL SPLICE CONNECTION AT EXPANSION JT.



SECTIONS AT RAIL SPLICE
PLAN-BOTT. SPLICE TYPICAL

BILL OF MATERIAL

Item	Unit	Quantity
Steel Railing Type S-1	Foot	96



VIEW A-A ROUND HEAD BOLT

STEEL RAILING

Date	Designed MJP	T.R. 34 OVER UNNAMED DRAINAGE DITCH SECTION 05-07157-00-BR MACON COUNTY STA. 14+99.74 PROP. STR. NO. 058-3380	Sheet No.
Revisions	Drawn BKN		3
	Checked TDN		of 5
	Approved TDN		URS Job No.
Prepared by: URS	345 East Ash Avenue Decatur, IL 62526		36431679