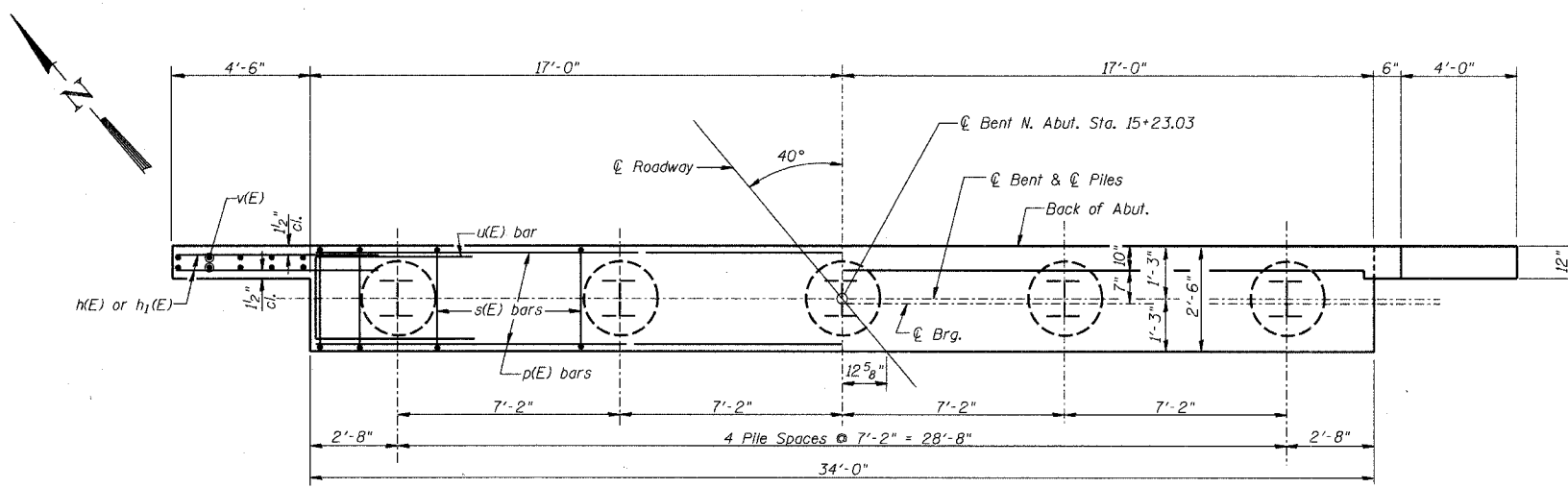


ROUTE NO.	SECTION	COUNTY	TOTAL SHEETS	SHEET NO.
T.R. 34	05-07157-00-BR	MACON	II	II
FED. ROAD DIST. NO.		ILLINOIS PROJECT: BROS-115(29)		

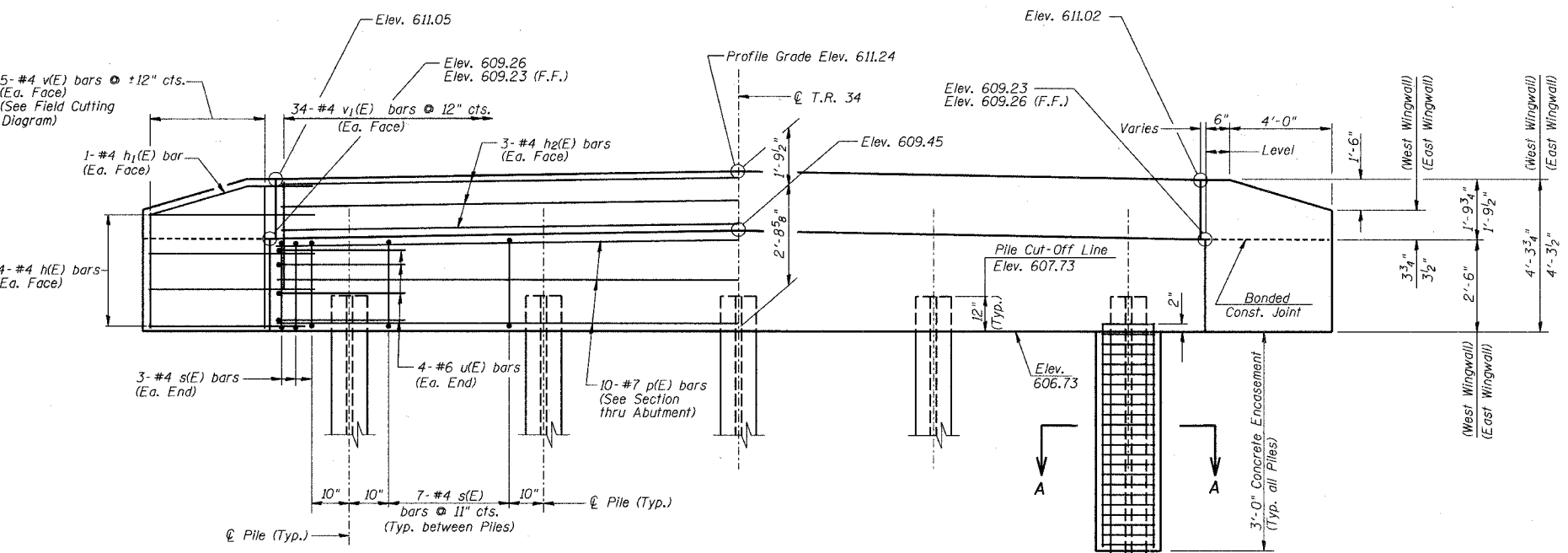
CONTRACT NO. 95494



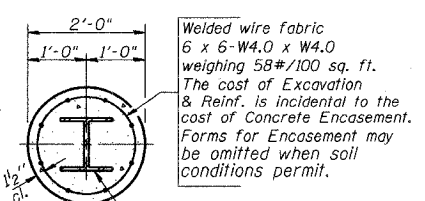
PLAN

**PILE DATA**

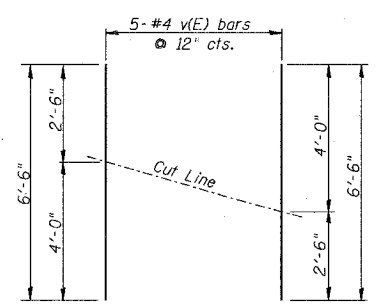
Type: Steel HP10x42  
 Nominal Required Bearing: 103 Kips  
 Allowable Resistance Available: 61 Kips  
 Est. Length: 29'-0"  
 No. Required: 5



ELEVATION



SECTION A-A

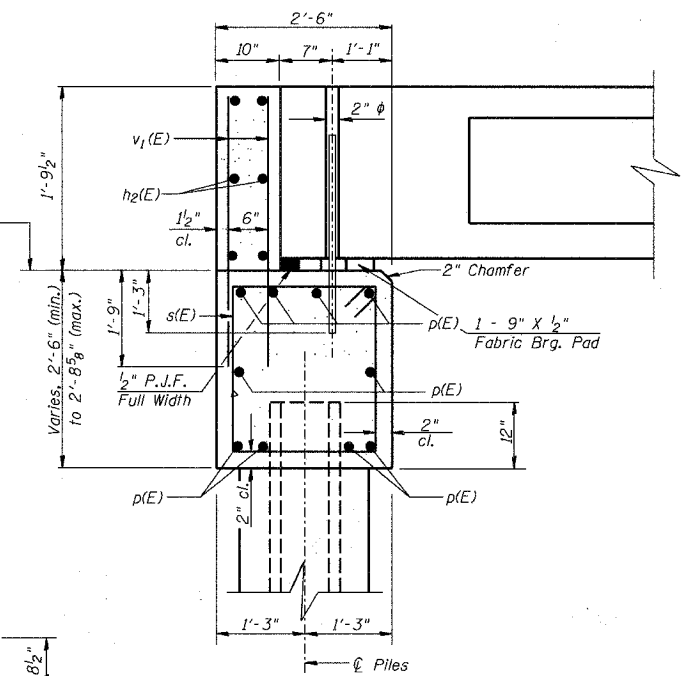


FIELD CUTTING DIAGRAM

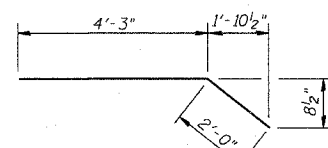
Order bars full length. Cut to fit as shown and use remainder of bars in other face.

**NOTES**

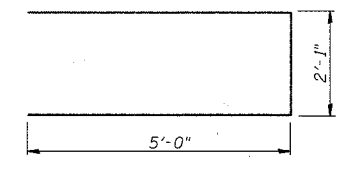
- The Backwall and the portion of the Wingwalls above the bonded construction joint shall be cast against the in-place beam.
- 1" dia. x 2'-6" dowel rods in 1 1/2" dia. holes drilled in cap (4 each beam). Dowel rods to be grouted after beams are in place and allowed to cure (min. 24 hrs.) prior to grouting the shear keys. The grout shall be an approved non-shrink grout.
- Reinforcement bars designated (E) shall be Epoxy coated.
- Space reinforcement in cap to miss dowel rods.
- All Elev. given at Bk. of Abut. Bonded Const. Jt. unless otherwise noted.
- F.F. = Front Face
- The Steel H-Piles shall be according to AASHTO M270, Grade 50.
- The Test Pile shall be driven to 110 percent of the Nominal Required Bearing indicated in the Pile Data information.



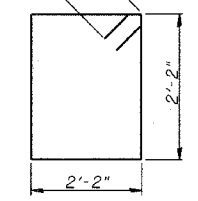
SECTION THRU ABUT.  
(At Rt. Angles)



BAR h1(E)



BAR u(E)



BAR s(E)

**BILL OF MATERIAL  
SOUTH ABUTMENT**

Bar	No.	Size	Length	Shape
h(E)	16	#4	6'-0"	—
h1(E)	4	#4	6'-3"	—
h2(E)	6	#4	33'-8"	—
p(E)	10	#7	33'-8"	—
s(E)	34	#4	9'-5"	□
u(E)	8	#6	12'-1"	—
v(E)	10	#4	6'-6"	—
v1(E)	68	#4	3'-5"	—
Concrete Structures			Cu. Yd.	11.3
Reinforcement Bars, Epoxy Coated			Pound	1470
Furnishing Steel Piles HP10x42			Foot	145
Driving Piles			Foot	145
Concrete Encasement			Cu. Yd.	1.7

**NORTH ABUTMENT**

Date	Designed MJP	T.R. 34 OVER UNNAMED DRAINAGE DITCH SECTION 05-07157-00-BR MACON COUNTY STA. 14+99.74 PROP. STR. NO. 058-3380	Sheet No.
Revisions	Drawn BKN		5
	Checked TDN		
	Approved TDN		
Prepared by:	URS 345 East Ash Avenue Decatur, IL 62526		
		URS Job No.	36431679