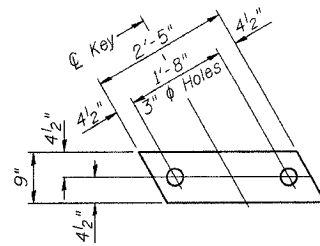
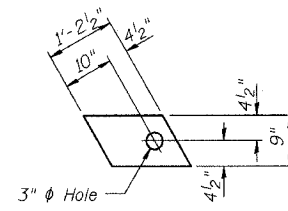


STATE OF ILLINOIS
DEPARTMENT OF TRANSPORTATION

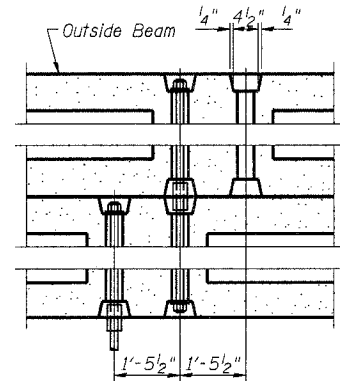
ROUTE	SECTION	COUNTY	TOTAL SHEETS	SHEET NO.
CH 16	00-00115-00-BR	MARION	14	12
		ILLINOIS	FEDERAL AID PROJECT	
CONTRACT NO. 97287				



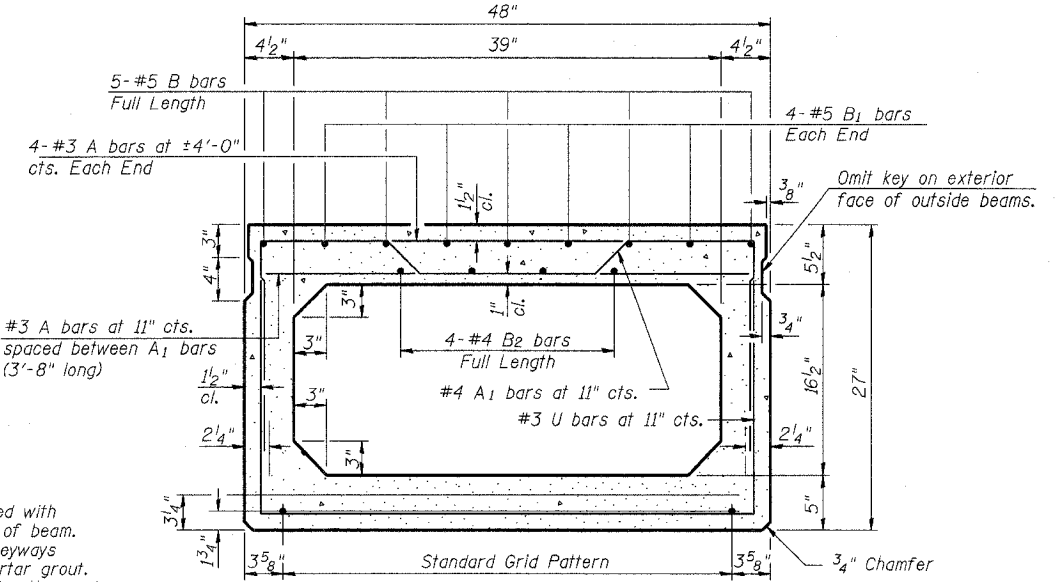
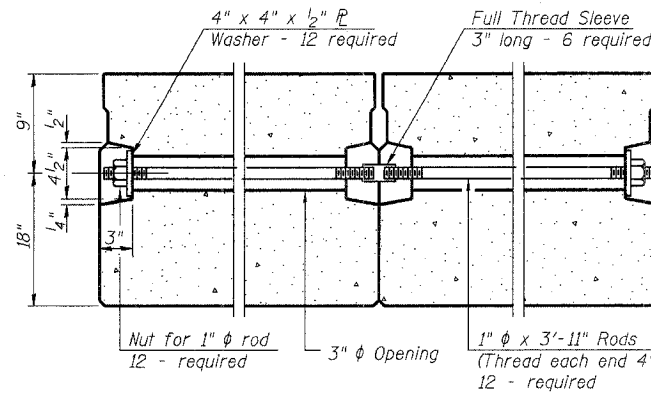
FABRIC BEARING PAD
(Interior)



FABRIC BEARING PAD
(Exterior)



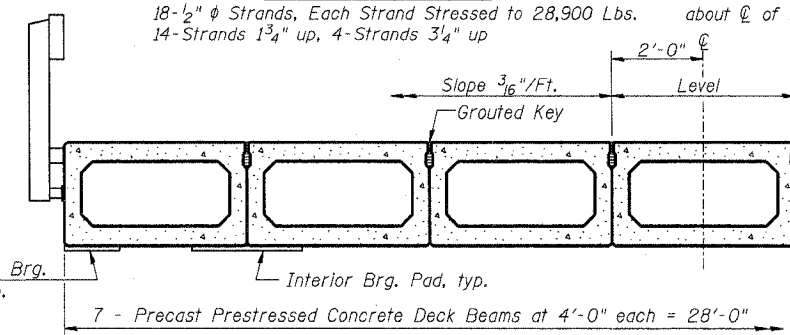
TYPICAL TRANSVERSE TIE ASSEMBLY



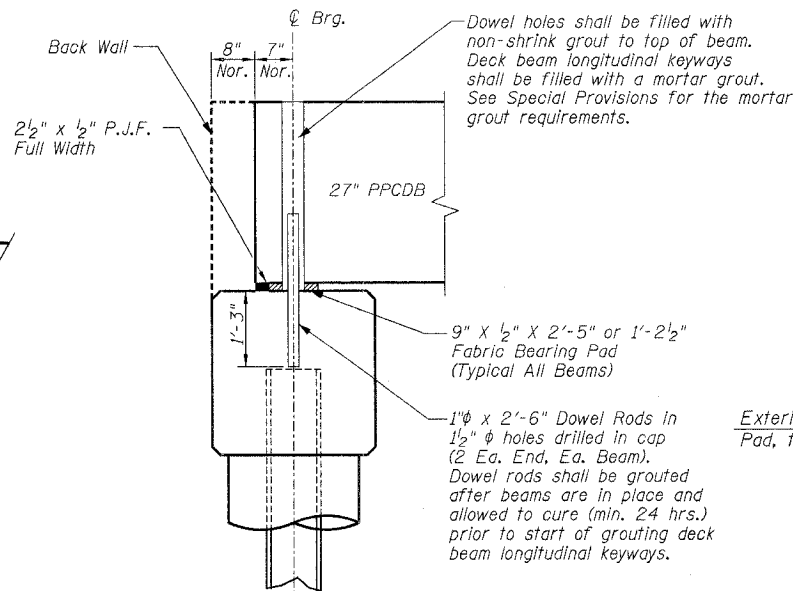
TYPICAL SECTION

18-1/2" phi Strands, Each Strand Stressed to 28,900 Lbs.
14-Strands 1 3/4" up, 4-Strands 3/4" up

Note:
Place strands symmetrically about C of beam.



HALF CROSS SECTION



FIXED BEARING ABUTMENT

NOTES

Prestressing steel shall be uncoated high strength, stress relieved 7-wire strand, Grade 270.

The nominal diameter shall be 1/2" and the nominal cross-sectional area shall be 0.153 sq. in.

Lifting loops shall be 3 - 1/2" phi - 270 ksi strands, as shown.

The 1" phi rods in the transverse tie assembly shall be tightened to a snug fit and the threads set. Pockets that receive transverse tie bar on outside shall be filled with grout after transverse tie assembly is in place.

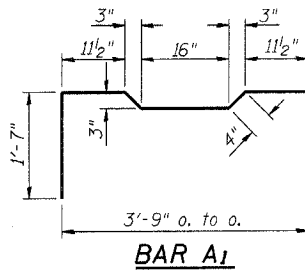
Non-prestressing steel shall conform to AASHTO M-31, M-42 or M-53 Grade 60.

The bearing seat surfaces shall be adjusted by shimming to assure firm and even bearing. As required, 1/8" fabric adjusting shims of the dimensions of the Exterior Bearing Pad shall be provided for each bearing.

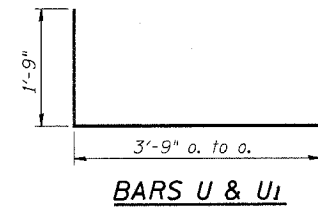
Keyway surfaces shall be cleaned to remove form oil or other bond breaking material prior to shipment of the beams. Cleaning shall be done by sandblasting the keyway areas between top of the beam and the bottom edge of the key.

Required Release Strength, f'ci, shall be 4000 p.s.i.

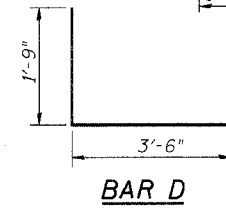
An equal substitution of the low-relaxation strands for the stress-relieved strands will be permitted. However, all strands shall be stressed to a maximum of 28,900 pounds per strand.



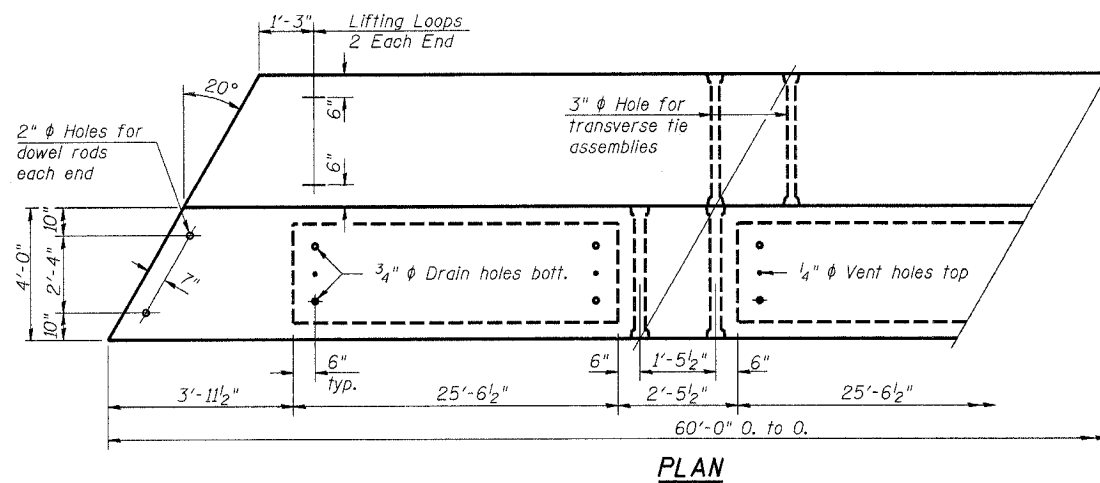
BAR A1



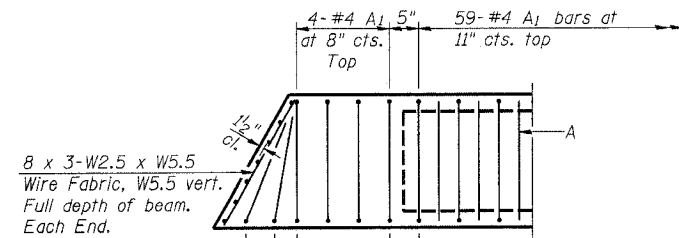
BARS U & U1



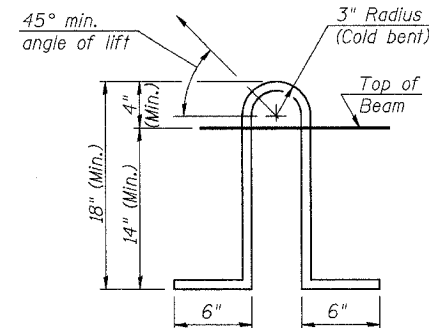
BAR D



PLAN



END PLAN



LIFTING LOOP DETAIL

BILL OF MATERIAL FOR ONE BEAM

Bar	No.	Size	Length	Shape
A	66	#3	3'-8"	—
A1	67	#4	7'-1"	⌒
B	10	#5	31'-6"	—
B1	8	#5	12'-0"	—
B2	8	#4	31'-0"	—
D	8	#4	5'-3"	⌒
U	59	#3	7'-3"	⌒
U1	8	#4	7'-3"	⌒
Precast Prestressed Conc. Deck Bms.	Sq. Ft.	240		
Reinforcement Bars	Pound	1230		
Beam Weight	Pound	47,750		

PRECAST PRESTRESSED CONCRETE DECK BEAM DETAILS
PROPOSED BRIDGE CARRYING CH 16 OVER CROOKED CREEK
SECTION 00-00115-00-BR
MARION COUNTY, ILLINOIS

Sheet 12 of 14
Job No. 50705

10/13/2006