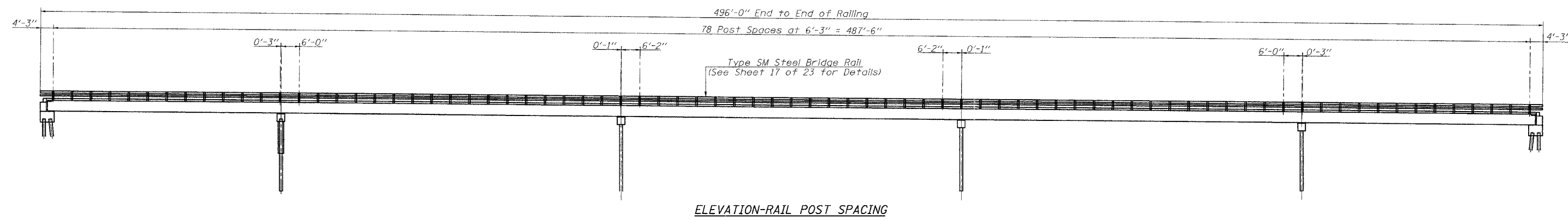
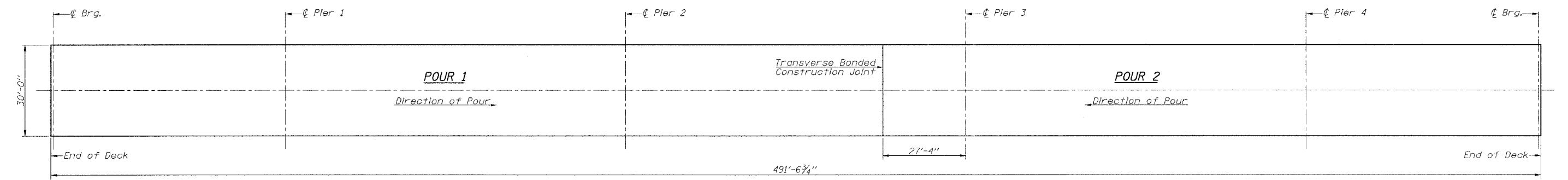


ROUTE NO.	SECTION	COUNTY	TOTAL SHEETS	SHEET NO.
F.A.P. 731	*	GREENE	30	11
FED. ROAD DIST. NO.		ILLINOIS	FED. AID PROJECT	
FEDERAL AID PROJECT				

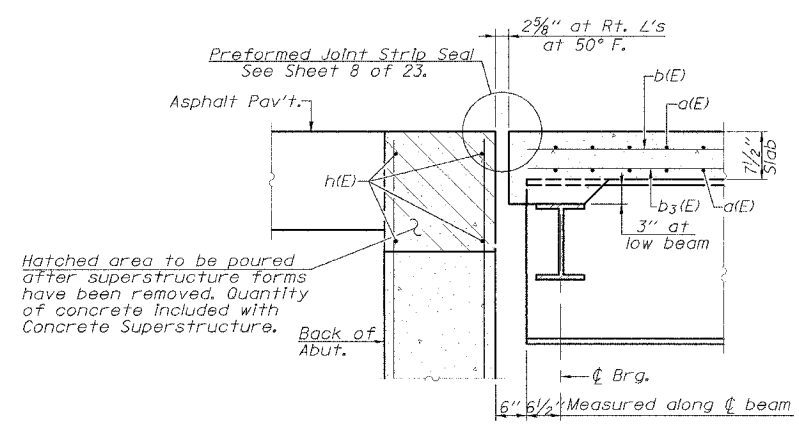
* 01-00071-00-BR
CONTRACT NO. 97289 Sheet No. 7 of 23 Sheets



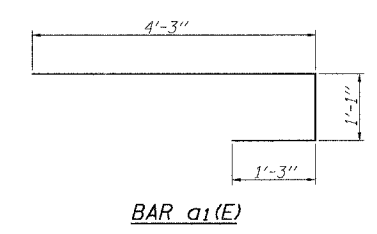
ELEVATION-RAIL POST SPACING



DECK POURING SEQUENCE
 The Contractor may alter the pouring sequence with the approval of the Engineer.



SECTION A-A



BAR a1(E)

SUPERSTRUCTURE BILL OF MATERIAL

Bar	No.	Size	Length	Shape	
a(E)	1435	#5	29'-8"	—	
a1(E)	1688	#5	6'-7"	—	
b(E)	465	#5	34'-6"	—	
b1(E)	180	#6	21'-7"	—	
b2(E)	180	#6	23'-10"	—	
b3(E)	480	#5	32'-5"	—	
Reinforcement Bars, Epoxy Coated				Lbs.	101230
Concrete Superstructure				Cu. Yds.	409.7

SUPERSTRUCTURE DETAILS
 F.A.S. 731 - C.H. 2
 OVER APPLE CREEK
 SECTION 01-00071-00-BR
 GREENE COUNTY

FILE NAME: STRUCTURE PLANS (REV. 10/18/03)