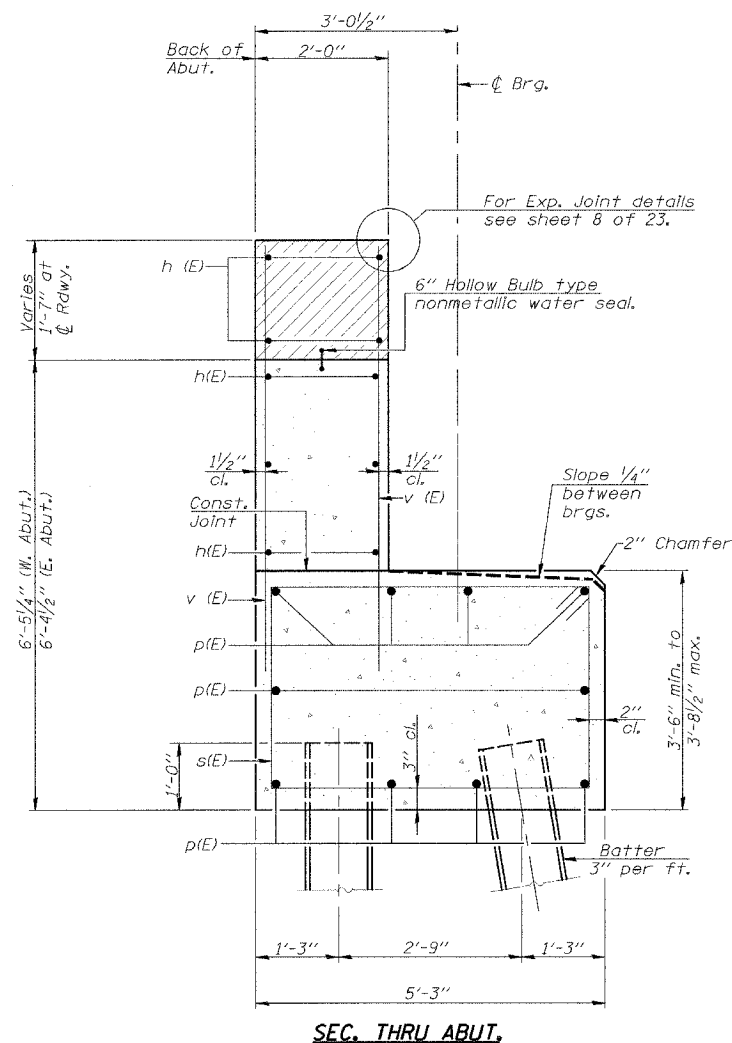
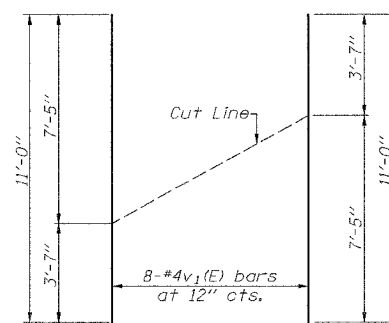
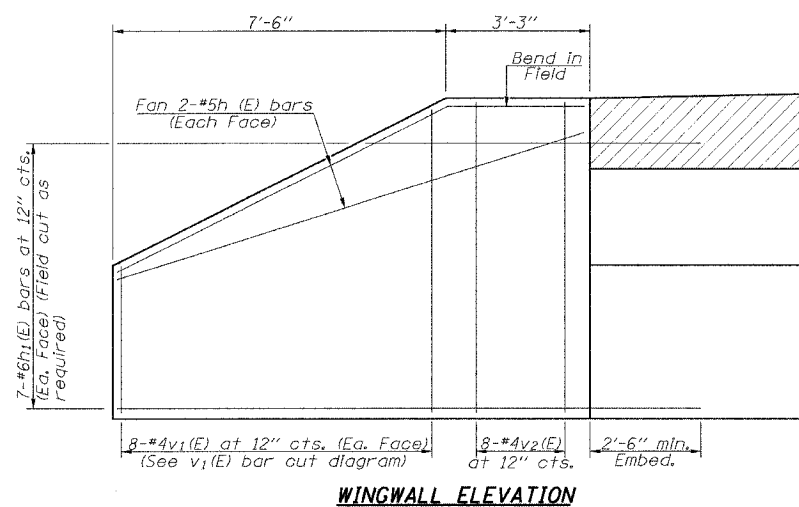
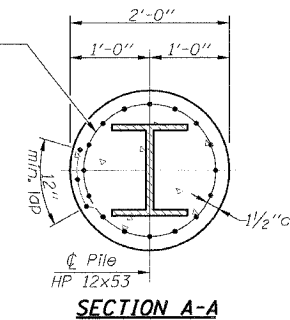


ROUTE NO.	SECTION	COUNTY	TOTAL SHEETS	SHEET NO.
F.A.P. 731	*	GREENE	30	20
FED. ROAD DIST. NO.	ILLINOIS	FED. AID PROJECT		
FEDERAL AID PROJECT				

* 01-00071-00-BR
CONTRACT NO. 97289 Sheet No. 16 of 23 Sheets



Welded Wire Fabric 6x6-W4.0-W4.0 weighing 58#/100 sq.ft. The cost of Excavating, Concrete Encasement and Reinforcement is included with furnishing piles. Forms for Encasement may be omitted when soil conditions permit.



v₁(E) BAR CUT DIAGRAM
 Order v₁(E) bars full length; Layout in field according to diagram. Cut v₁(E) bars along cut line. Use remainder of each bar in opposite face.

Notes: Hatched area to be poured after superstructure forms have been removed. Quantity of concrete included with Concrete Superstructure. Space reinforcement in cap to miss anchor bolts. Pour steps monolithically with cap. Reinforcement bars designated (E) shall be epoxy coated. Quantity of concrete in end post included with Concrete Superstructure on sheet 7 of 23. Work this sheet with Sheet 15 of 23.

ABUTMENTS
F.A.S. 731 - C.H. 2
OVER APPLE CREEK
SECTION 01-00071-00-BR
GREENE COUNTY