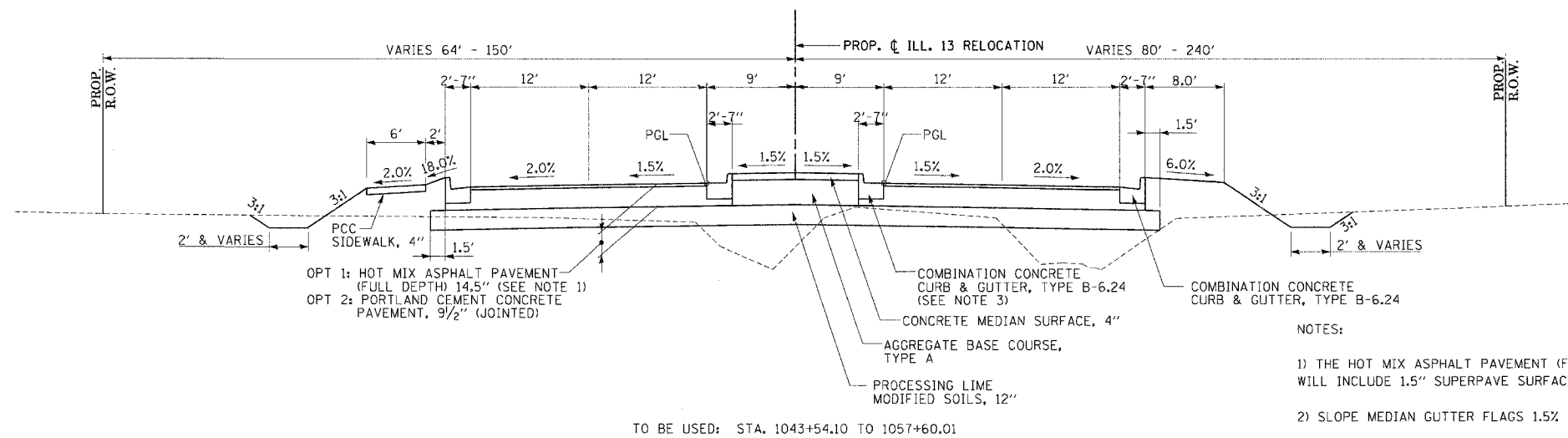
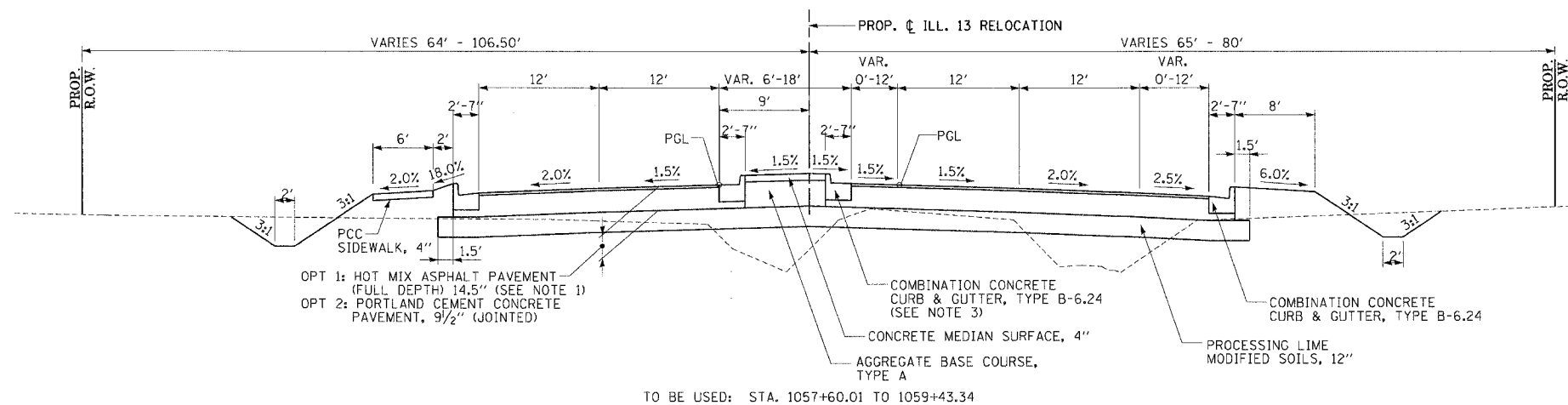
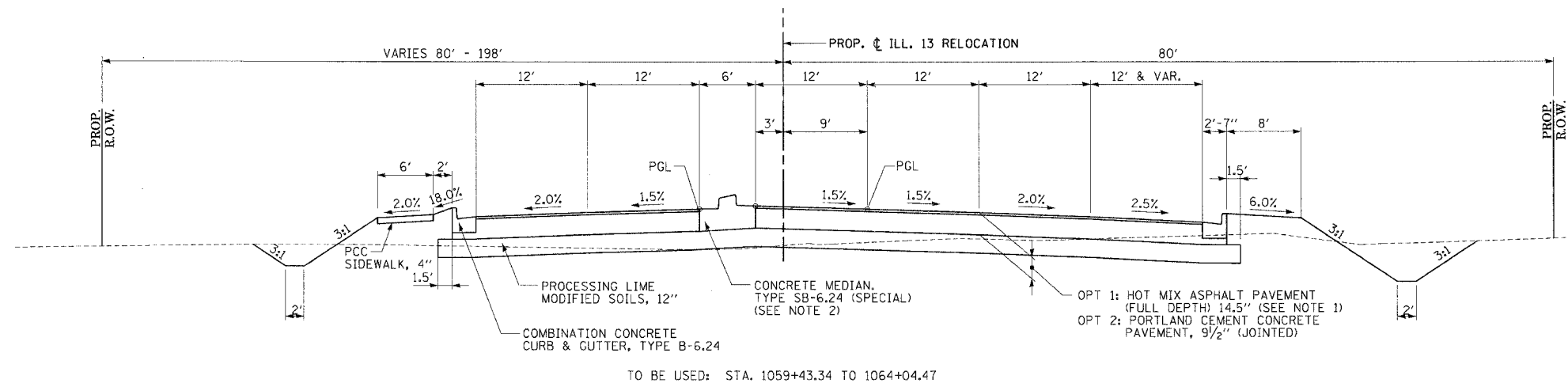


FAP RTE.	SECTION	COUNTY	TOTAL SHEETS	SHEET NO.
331	3-2, 8X-1, 4-2	SALINE	233	14
STA.		TO STA.		
FED. ROAD DIST. NO.		ILLINOIS FED. AID PROJECT		

TYPICAL SECTIONS
PROP. ILL. 13 RELOCATION



- NOTES:
- 1) THE HOT MIX ASPHALT PAVEMENT (FULL DEPTH) WILL INCLUDE 1.5" SUPERPAVE SURFACE COURSE, MIX D.
 - 2) SLOPE MEDIAN GUTTER FLAGS 1.5% TOWARD THE PAVEMENT
 - 3) SLOPE MEDIAN GUTTER FLAGS 1.5% TOWARD THE MEDIAN
 - 4) CLEAR ZONE IS 1.5' BEHIND CURB AND GUTTER

DRAWN BY
CHECKED BY

NO.	PROJECT/PROJUSEG/ROADWAY/COMMON/
ACT.	FILE/REFERENCE DESIG.