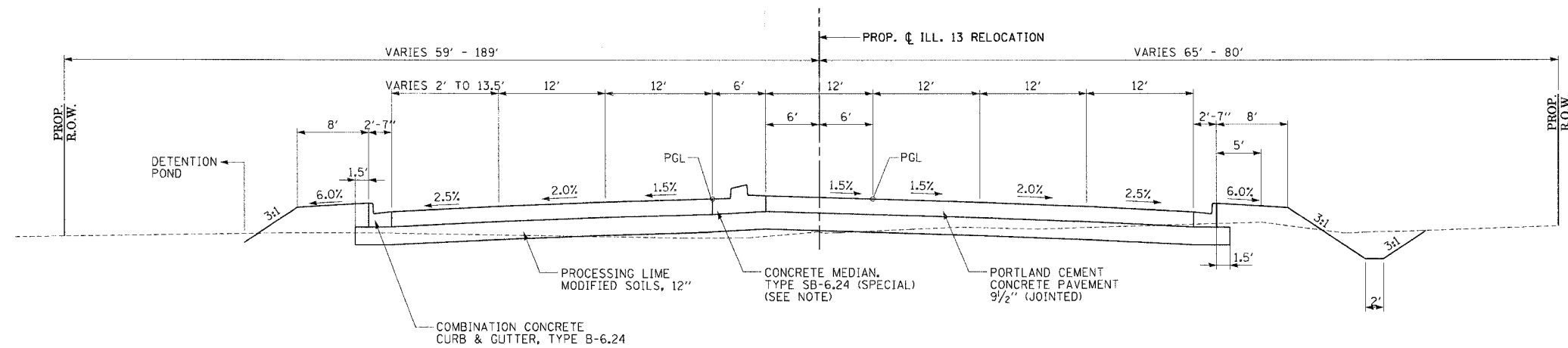
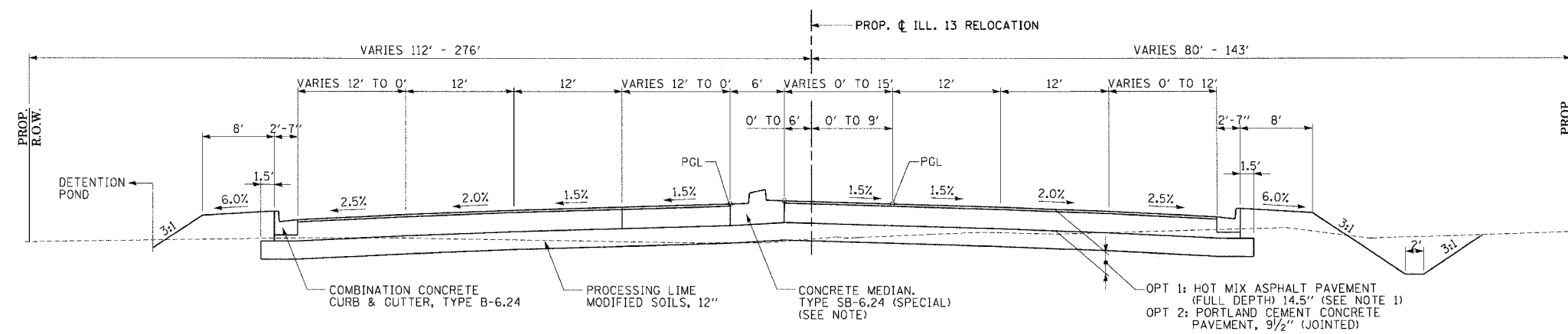


FAP R.T.E.	SECTION	COUNTY	TOTAL SHEETS	SHEET NO.
331	3-2, 8X-1, 4-2	SALINE	233	15
STA.		TO STA.		
FED. ROAD DIST. NO.		ILLINOIS FED. AID PROJECT		

TYPICAL SECTIONS
PROP. ILL. 13 RELOCATION



TO BE USED: STA. 1069+70.25 TO 1071+82.00



TO BE USED: STA. 1066+33.92 TO 1069+70.25

NOTE:

- 1) SLOPE MEDIAN GUTTER FLAGS 1.5% TOWARD THE PAVEMENT
- 2) CLEAR ZONE IS 1.5' BEHIND CURB AND GUTTER

DRAWN BY
CHECKED BY

M:\PROJECTS\PROJECTS\ROADWAY\COMMON\REFERENCE FILES
ACT. FILES