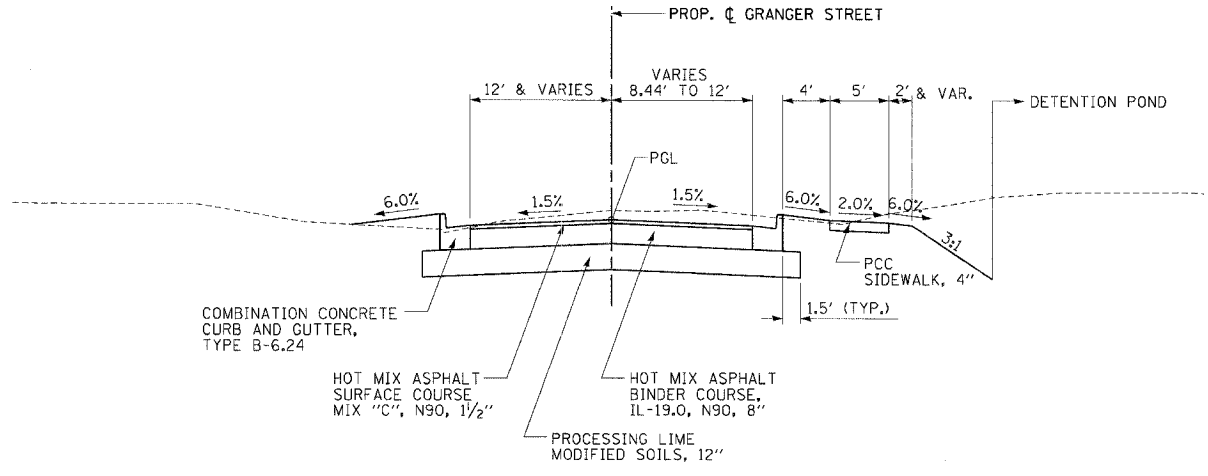
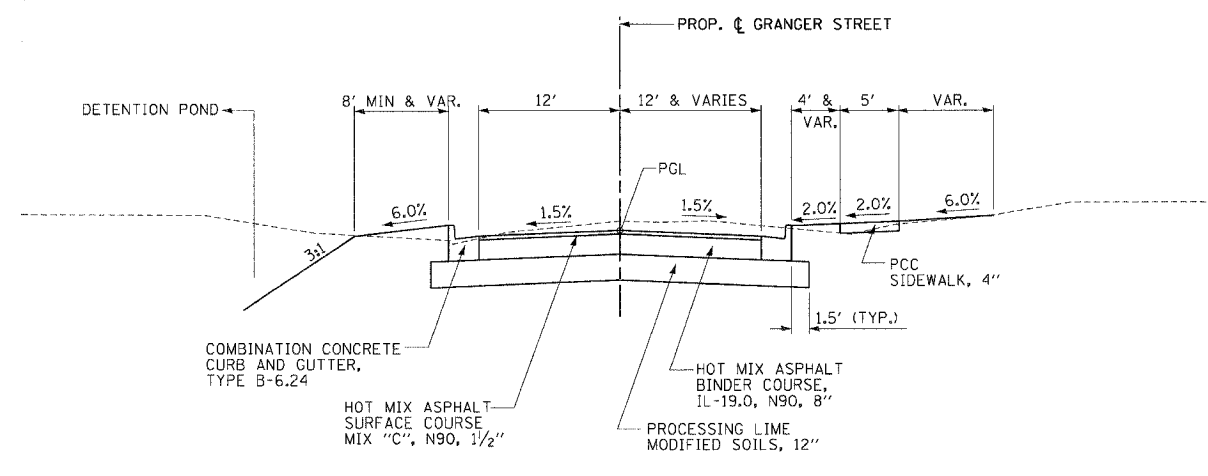


FAP RTE.	SECTION	COUNTY	TOTAL SHEETS	SHEET NO.
331	3-2, 8X-1, 4-2	SALINE	233	16
STA.		TO STA.		
FED. ROAD DIST. NO.		ILLINOIS FED. AID PROJECT		

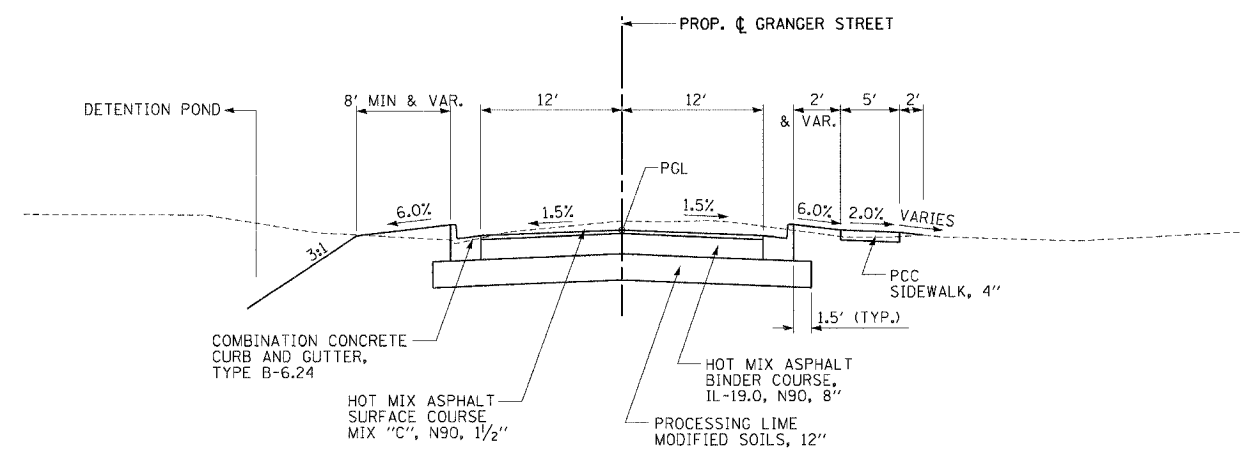
TYPICAL SECTIONS
GRANGER STREET



GRANGER STREET
TO BE USED: STA. 7+55.00 TO 9+17.08



GRANGER STREET
TO BE USED: STA. 10+82.92 TO 13+25.00



GRANGER STREET
TO BE USED: STA. 13+25.00 TO 15+19.42

NOTE:
CLEAR ZONE IS 1.5' BEHIND CURB AND GUTTER.

DRAWN BY
CHECKED BY

PROJECTS/PROJ0356/ROADWAY/CADD/	
Reference Files	
Sub	
ACT	