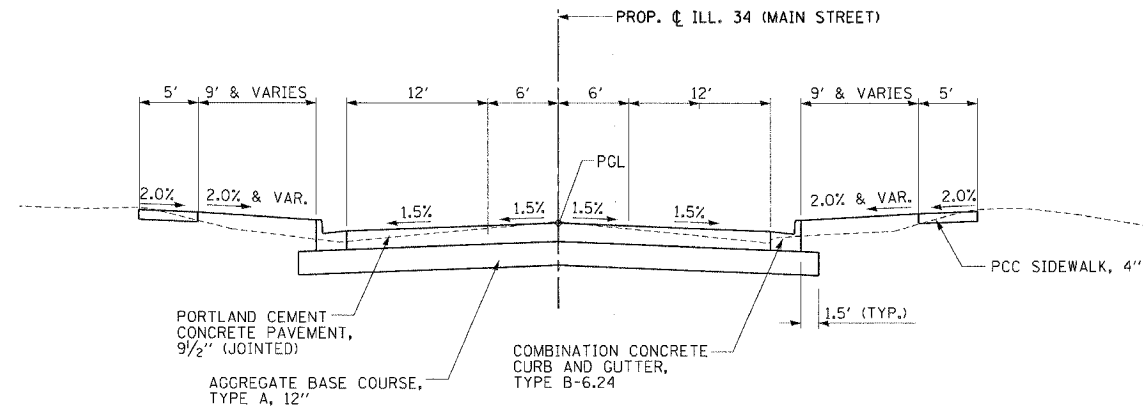
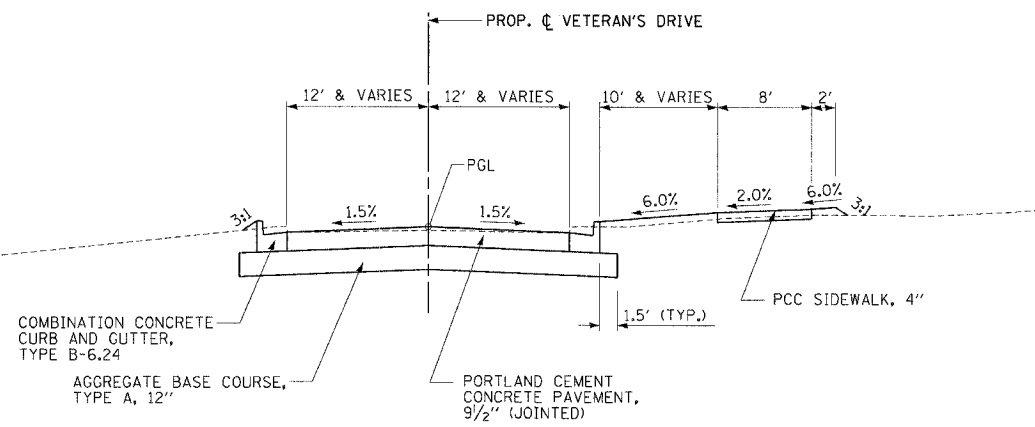


FAP RTE.	SECTION	COUNTY	TOTAL SHEETS	SHEET NO.
331	3-2, 8X-1, 4-2	SALINE	233	17
STA.		TO STA.		
FED. ROAD DIST. NO.		ILLINOIS FED. AID PROJECT		

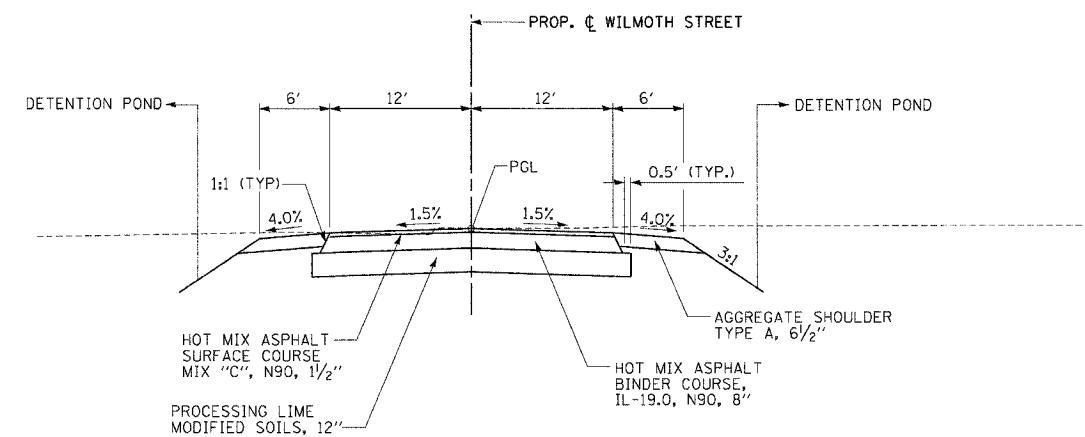
TYPICAL SECTIONS
 ILL. 34 (MAIN STREET)
 VETERAN'S DRIVE
 WILMOTH STREET



ILL. 34 (MAIN STREET)
 TO BE USED: STA. 1668+91.59 TO 1670+89.48
 STA. 1672+84.51 TO 1675+18.38



VETERAN'S DRIVE
 TO BE USED: STA. 48+24.34 TO 48+99.41
 STA. 51+08.17 TO 51+62.24



WILMOTH STREET
 TO BE USED: STA. 20+61.87 TO STA. 25+46.00

NOTE:
 CLEAR ZONE IS 1.5' BEHIND CURB AND GUTTER.

DRAWN BY
 CHECKED BY

M:\PROJECTS\RD03526\ROADWAY\COMMON\REF\REF108.TIBS
ACI