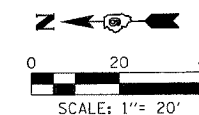
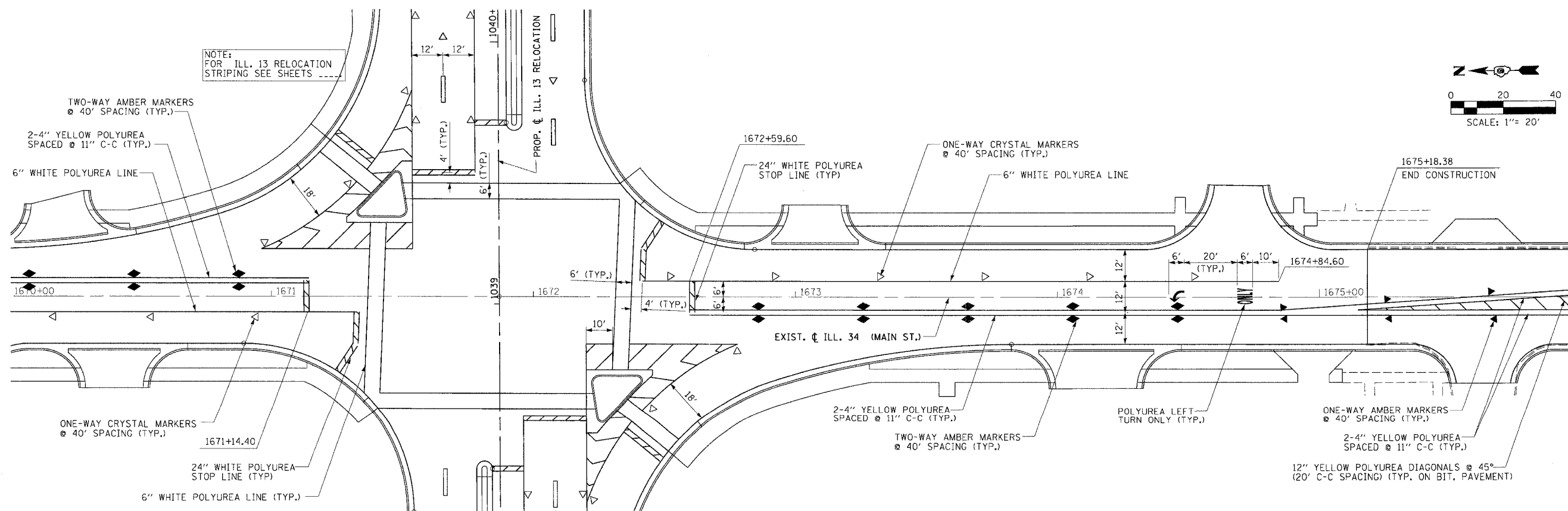
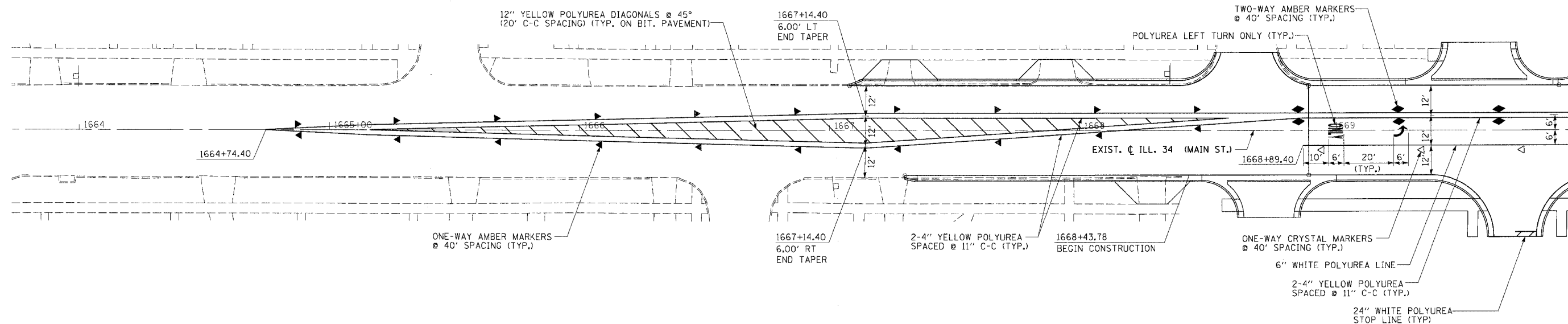
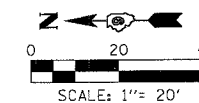


FAP RTE.	SECTION	COUNTY	TOTAL SHEETS	SHEET NO.
331	3-2, 8X-1, 4-2	SALINE	233	126
STA.		TO STA.		
FED. ROAD DIST. NO.		ILLINOIS FED. AID PROJECT		



PAVEMENT MARKING - ILL. 34 (MAIN ST.) - STA. 1664 + 74.40 TO STA. 1676 + 00.00

DRAWN BY JS
CHECKED BY JS

PROJECTS/PROJ526/ROADWAY/CONTRACT 1/STRIPING/
Act of File