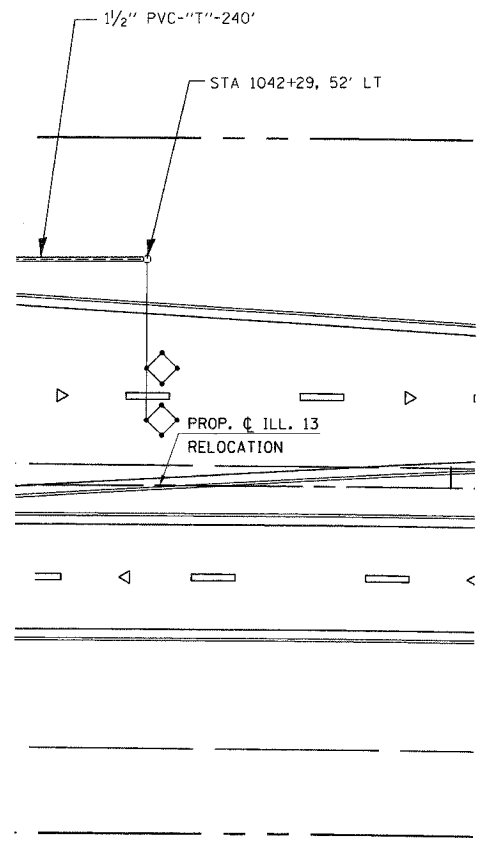
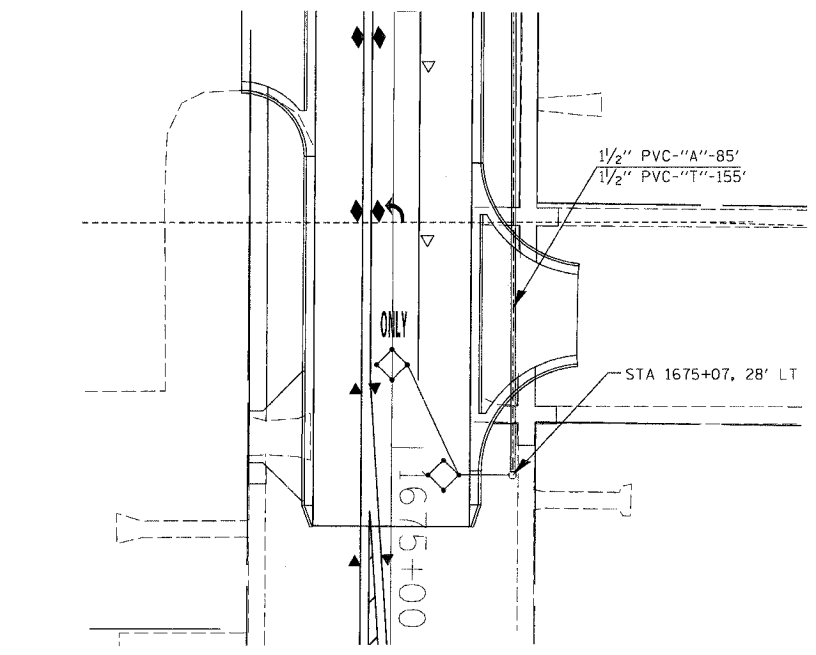
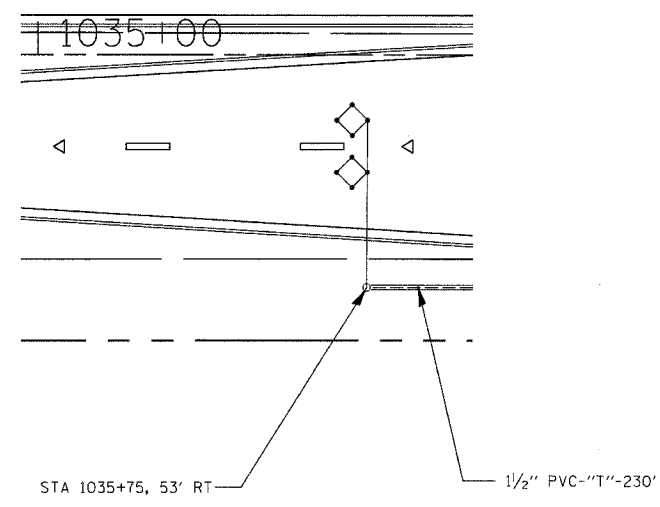
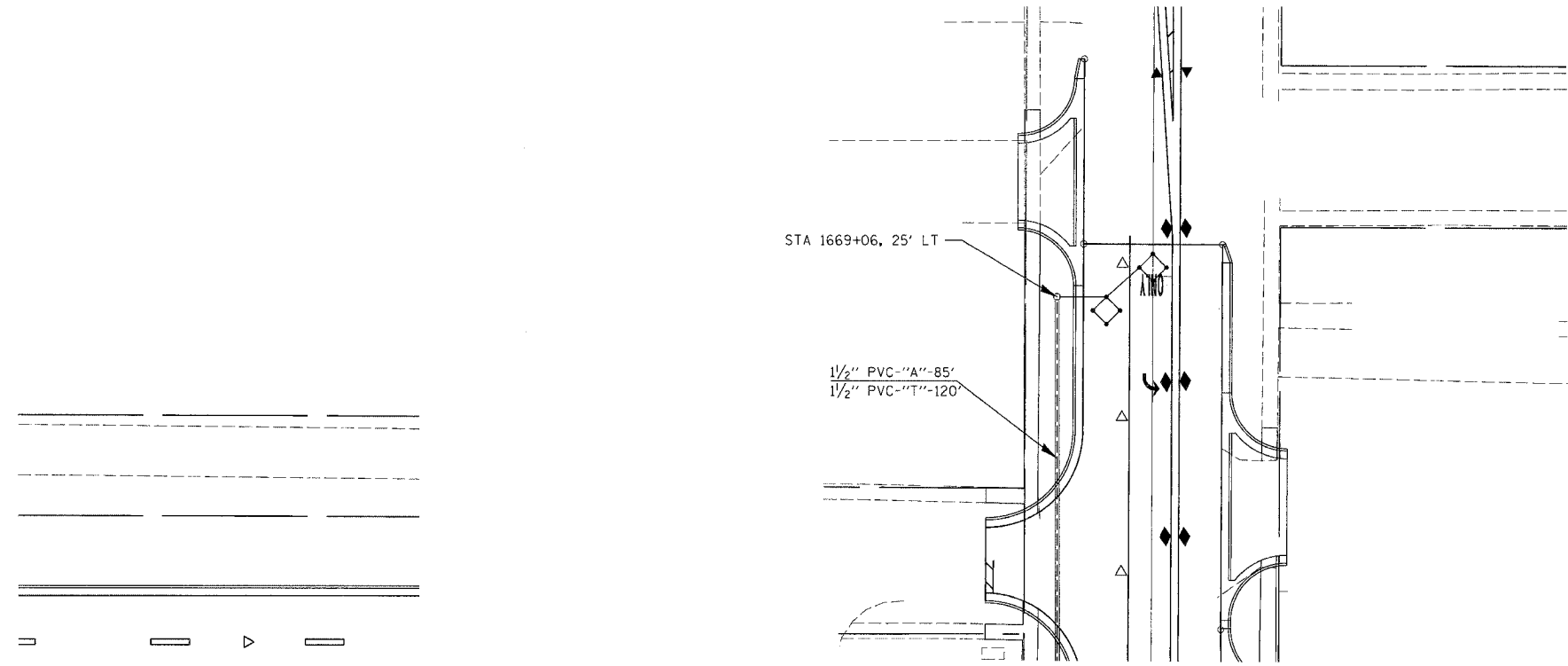
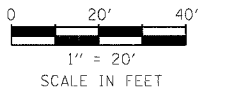


FAP RTE.	SECTION	COUNTY	TOTAL SHEETS	SHEET NO.
331	3-2, 8X-1, 4-2	SALINE	233	130
STA.		TO STA.		
FED. ROAD DIST. NO.		ILLINOIS FED. AID PROJECT		



- LEGEND**
- PROPOSED GULFBOX JUNCTION
 - ◇ PROPOSED 5' X 5' DETECTOR LOOPS WITH 2" CORE-DRILLED CORNERS
 - PROPOSED PVC CONDUIT

NOTES:

- THE 5'X5' DETECTOR LOOPS SHALL HAVE FOUR TURNS OF LOOP WIRE OR AS DIRECTED BY THE MANUFACTURER.

REVISIONS	
NAME	DATE

ILLINOIS DEPARTMENT OF TRANSPORTATION

IL RTE 34 & IL RTE 13

TRAFFIC SIGNAL PLAN

SCALE: VERT. DRAWN BY MCV
 HORIZ. CHECKED BY MAR
 DATE 03/27/06

DRAWN BY
CHECKED BY

PROJECTS/PROJES/PROJ/CONTRACT/	
ACTIVE FILE:	