

FAP. RTE.	SECTION	COUNTY	TOTAL SHEETS	SHEET NO.
331	3-2, 8X-1, 4-2	SALINE	233	136

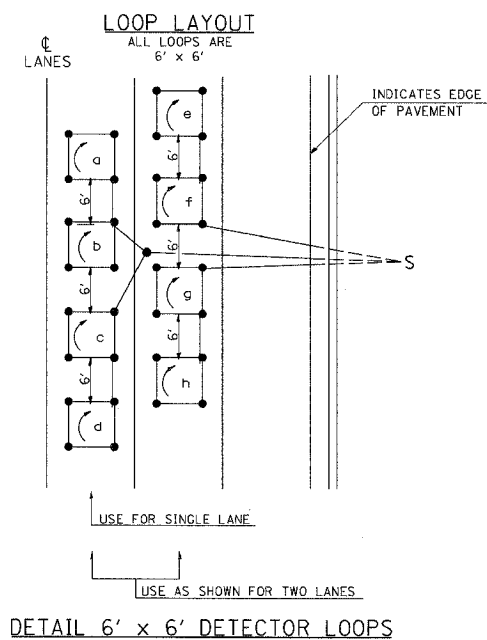
STA.	TO STA.
FED. ROAD DIST. NO.	ILLINOIS FED. AID PROJECT

DETAIL OF DETECTOR LOOPS

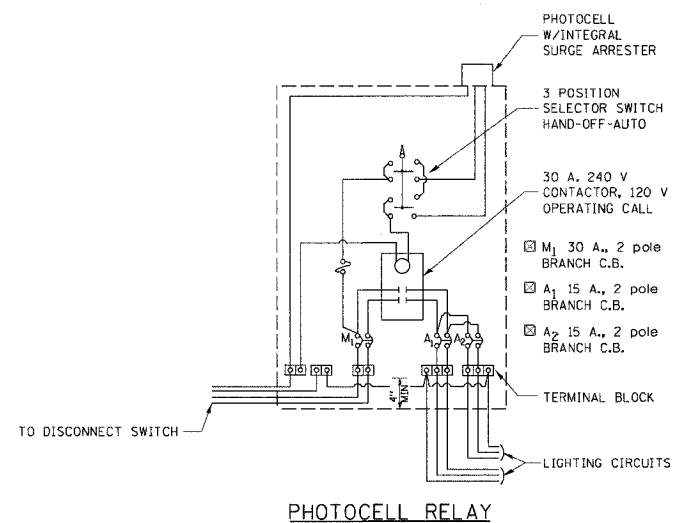
- NOTES**
(APPLIES TO 6' x 6' LOOPS ONLY)
1. THE DETECTOR LOOPS SHALL BE TYPE I. EACH DETECTOR LOOP SHALL HAVE 3 TURNS OF LOOP WIRE AND BE INSTALLED IN ACCORDANCE WITH THE APPLICABLE PORTIONS OF SECTION 886 OF THE STANDARD SPECIFICATIONS FOR TRAFFIC CONTROL ITEMS.
 2. BEGINNING LEAD WIRES SHALL BE CONNECTED TO THE BLACK LEAD AND THE ENDING LEAD WIRES SHALL BE CONNECTED TO THE WHITE LEAD OF THE TWIN TWISTED FEED CABLES AT THE SPLICE POINT.
 3. WHERE THE LOOPS ARE INSTALLED PRIOR TO RESURFACING, THE LOOP CORNERS SHALL BE DIAGONALLY CUT.

LOOP LEGEND

- () CLOCKWISE ROTATION FOR LOOP WIRES
- S INDICATES SPLICE POINT FOR DETECTOR LOOP LEAD
- INDICATES 2" CORE-DRILL



OUTDOOR LIGHTING CONTROL CABINET (GROUND MOUNT CABINET ONLY)



REVISIONS

REVISION	DATE	BY	REASON
1	5-13-92
2	5-13-92
3	5-13-92
4	5-13-92
5	5-13-92
6	5-13-92
7	5-13-92
8	5-13-92
9	5-13-92
10	5-13-92

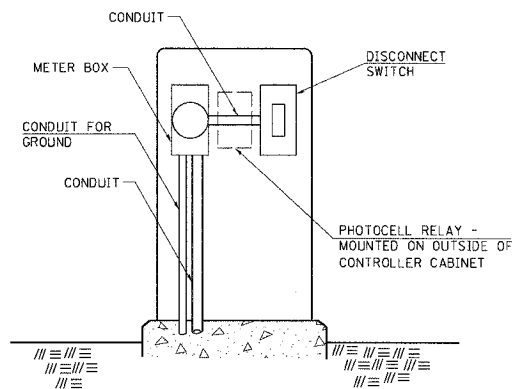
STD. 9-76

REVISIONS

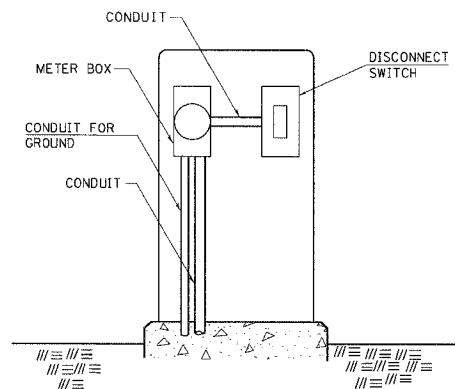
REVISION	DATE	BY	REASON
1	5-18-90
2	5-13-92
3	5-13-92
4	5-13-92
5	5-13-92
6	5-13-92
7	5-13-92
8	5-13-92
9	5-13-92
10	5-13-92

STD. 9-76

SERVICE INSTALLATION DETAILS



SERVICE INSTALLATION (SPECIAL)
WITH PHOTOCELL RELAY



SERVICE INSTALLATION (SPECIAL)

NOTE:
MATERIAL AND SIZE OF CONDUIT
AND CABLE AS REQUIRED BY
UTILITY COMPANY

REVISIONS

REVISION	DATE	BY	REASON
1	1-21-90
2	2-24-90
3
4
5
6
7
8
9
10

STD. 9-76

DRAWN BY
CHECKED BY

M/PROJECTS/PROJ/326/ROADWAY/COMMON/Reference Files