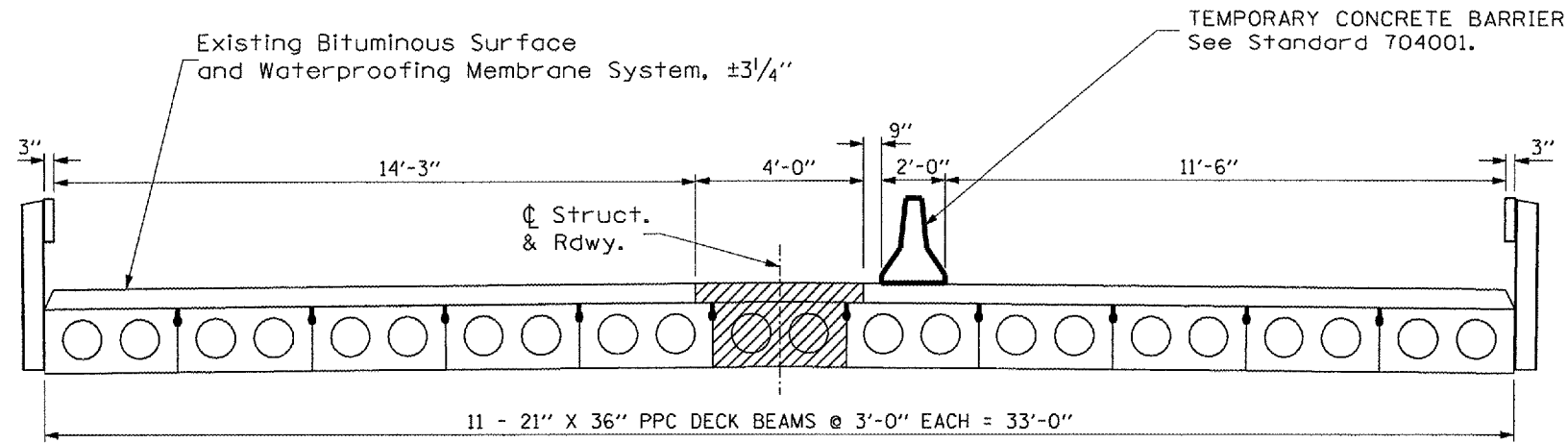


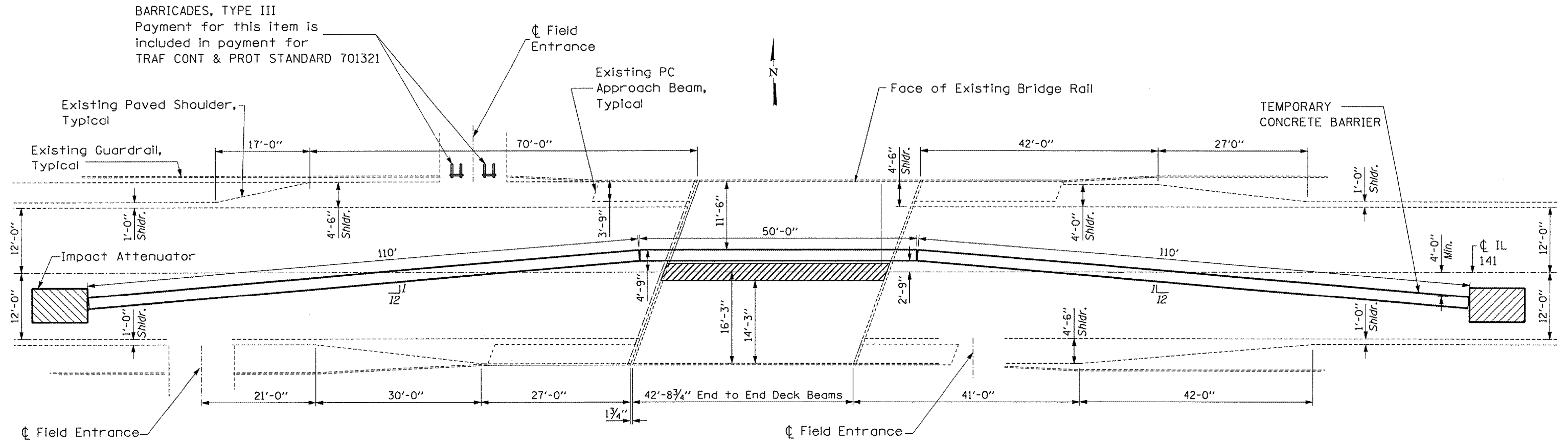
STATE OF ILLINOIS
DEPARTMENT OF TRANSPORTATION

ROUTE NO. F.A.P. 877	SECTION .	COUNTY WHITE	SHEET 7	TOTAL SHEETS 6
FED. ROAD DIST. NO. 7		ILLINOIS	PROJECT	

•(101BR-3) 1-1



**TEMPORARY CONCRETE BARRIER
LOOKING WEST**



PLAN - TEMPORARY CONCRETE BARRIER