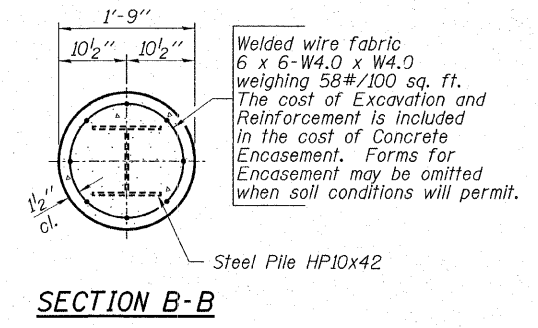
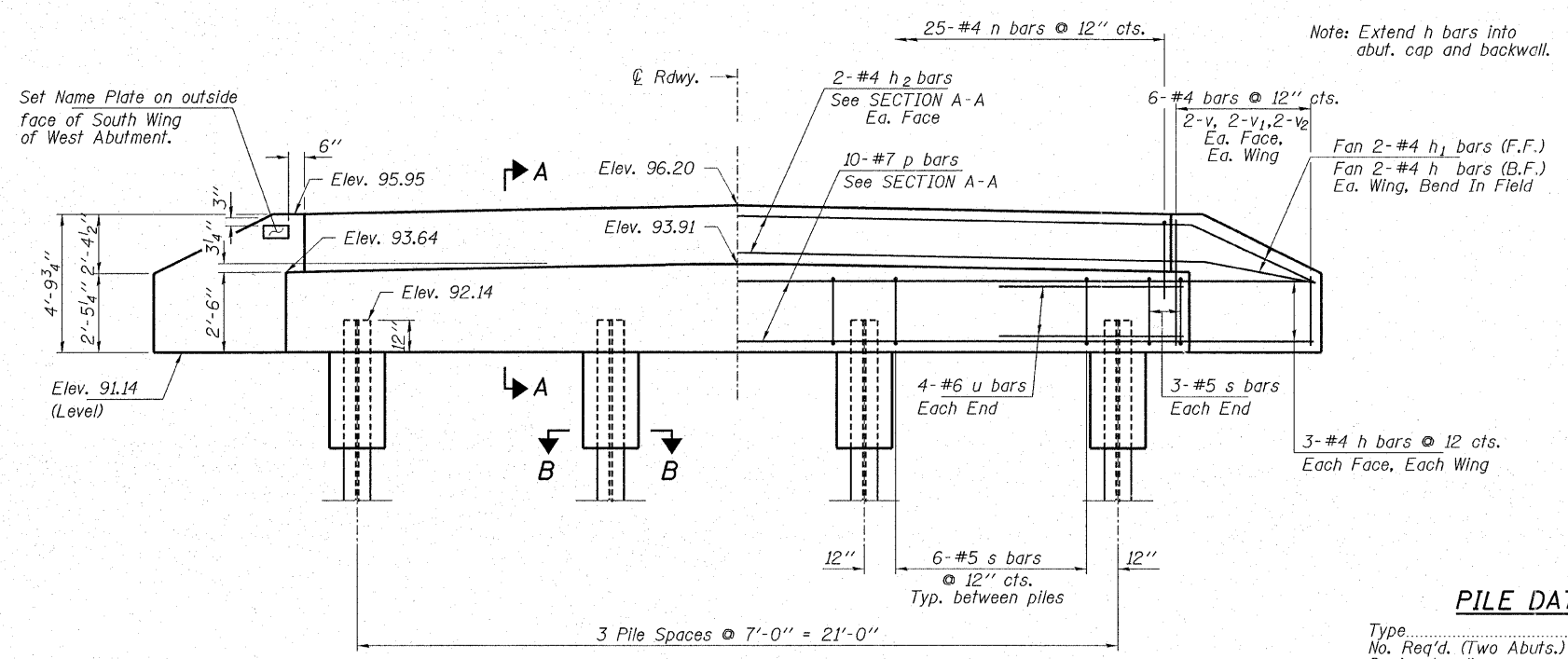
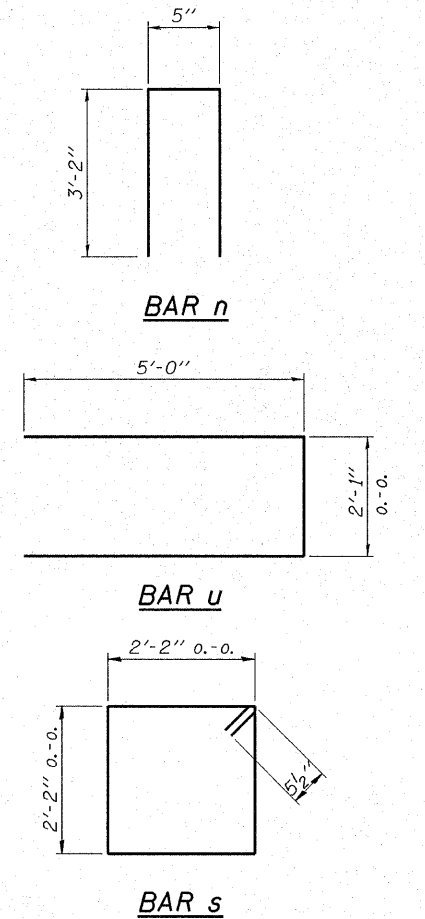
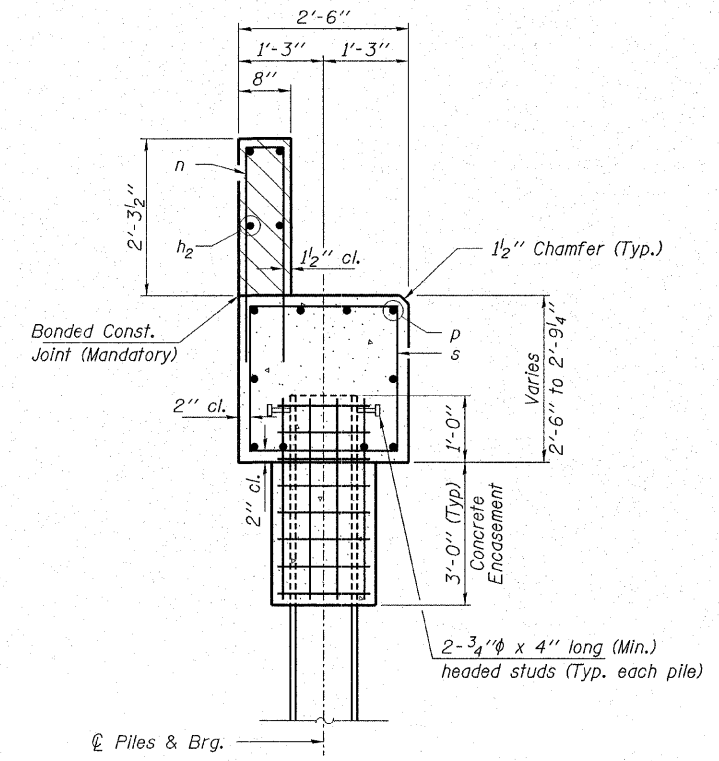
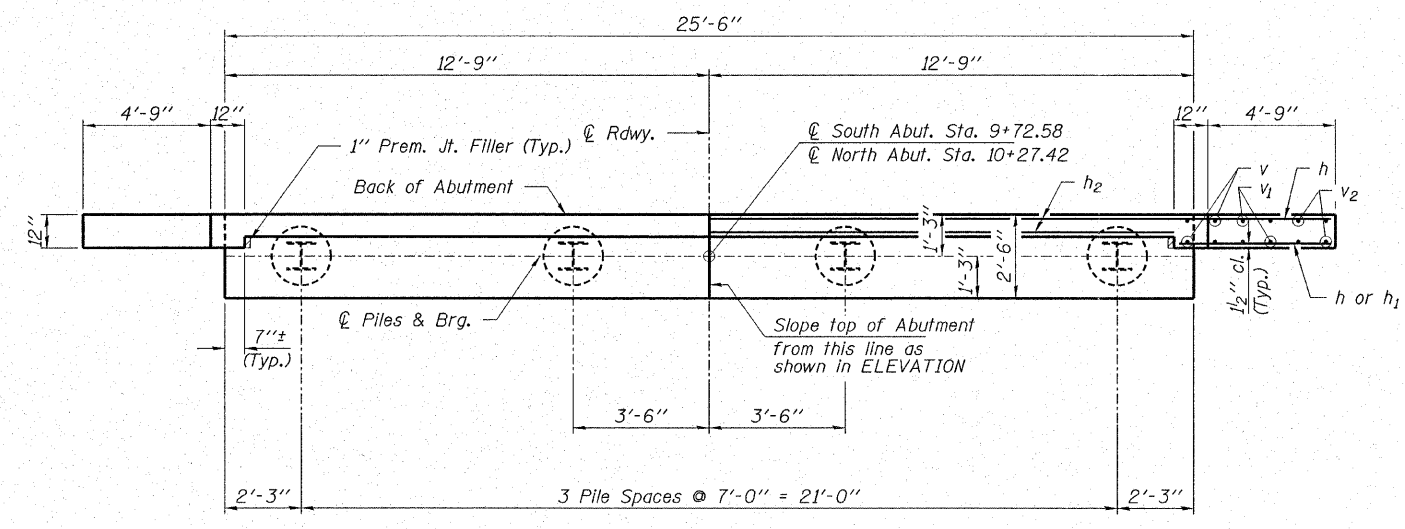


CONTRACT NO. 99250



BILL OF MATERIAL - 2 ABUTS.

BAR	NO.	SIZE	LENGTH	SHAPE
h	32	#4	6'-6"	—
h ₁	8	#4	5'-6"	—
h ₂	8	#4	25'-9"	—
n	50	#4	6'-9"	□
p	20	#7	25'-2"	—
s	48	#5	9'-7"	□
u	16	#6	12'-1"	—
v	16	#4	4'-2"	—
v ₁	16	#4	3'-2"	—
v ₂	16	#4	2'-2"	—
Concrete Structures			Cu. Yd.	18.2
Reinforcement Bars			Pound	2,430
Steel Piles HP10x42			Foot	360
Name Plates			Each	1
Concrete Encasement			Cu. Yd.	2.0
Stud Shear Connectors			Each	16

PILE DATA

Type.....Steel Piles HP10x42
No. Req'd. (Two Abuts.).....8
Design Loading.....39 Tons/Pile
Capacity.....Drive to Refusal
Est. Length.....45 Feet/Pile

HAMPTON, LENZINI & RENWICK, INC.
CIVIL & STRUCTURAL ENGINEERS

3085 STEVENSON DRIVE, SUITE 201
SPRINGFIELD, ILLINOIS 62703
(217) 546-3400

ELGIN • SPRINGFIELD

PROJECT NUMBER: 12-74-0006-1 DATE: 10/20/06
DESIGNED: T.P.L. CHECKED: S.W.M. DRAWN: D.T.M.

ABUTMENTS
SECTION 02-07119-00-BR
ROAD DISTRICT NO. 4-3
PERRY COUNTY
STR. NO. 073-3178 / STATION 10+00