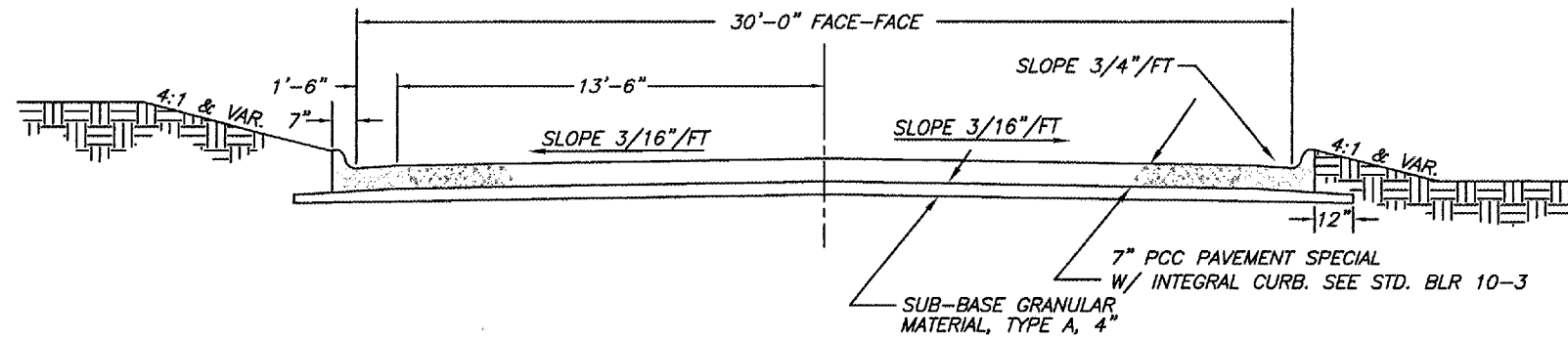


ROUTE	SECTION	COUNTY	TOTAL SHEETS	SHEET NO.
9545	03-00133-00-RP	SALINE	43	2
SALINE COUNTY		LIBERTY ROAD		

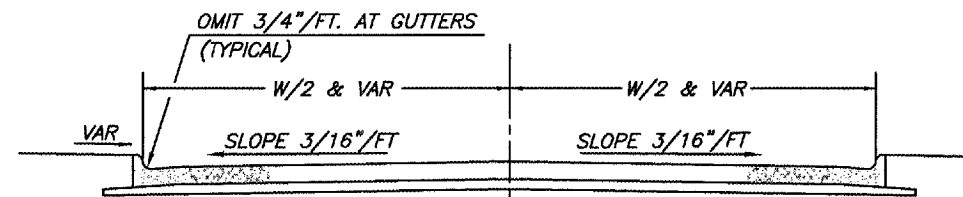
CONTRACT NO. 99274

PAVEMENT DESIGN DATA

CLASS II STREET
DESIGN PERIOD - 20 YEARS
STRUCTURAL DESIGN TRAFFIC (SDT)
YEAR - 2025
P.C. - 1985
S.U. - 30
M.U. - 15
PERCENT OF PAVEMENT S.D.T IN DESIGN LANE
P.C. 50 S.U. 50 M.U. 50
SOIL SUPPORT VALUE (I.B.R.) - 2.0
TRAFFIC FACTOR (T.F.) - 0.1
PAVEMENT STRUCTURE MATERIALS:
P.C.C. PAVEMENT MINIMUM THICKNESS 7 INCHES



TYPICAL ROADWAY SECTION
NO SCALE

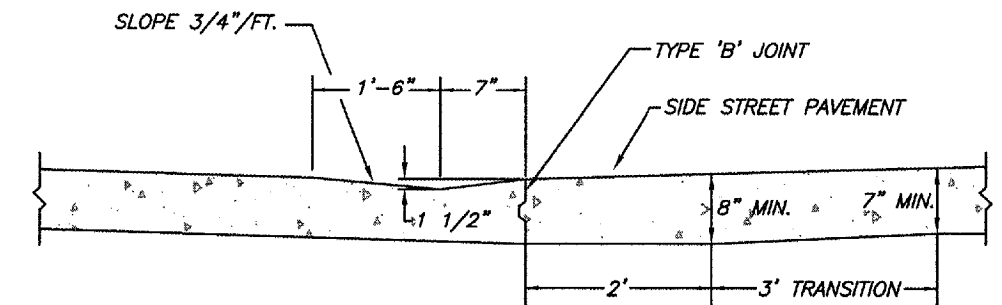


SIDE STREET TYPICAL SECTION

NO SCALE
TO BE USED AT SIDE STREETS & ENTRANCE

FOR OTHER NOTES AND DIMENSIONS SEE ABOVE TYPICAL SECTION.

LOCATION	WIDTH
GIBBONS ROAD	20'
OLD GAIN ROAD	22'
ENTRANCE @ STA. 76+00	20'



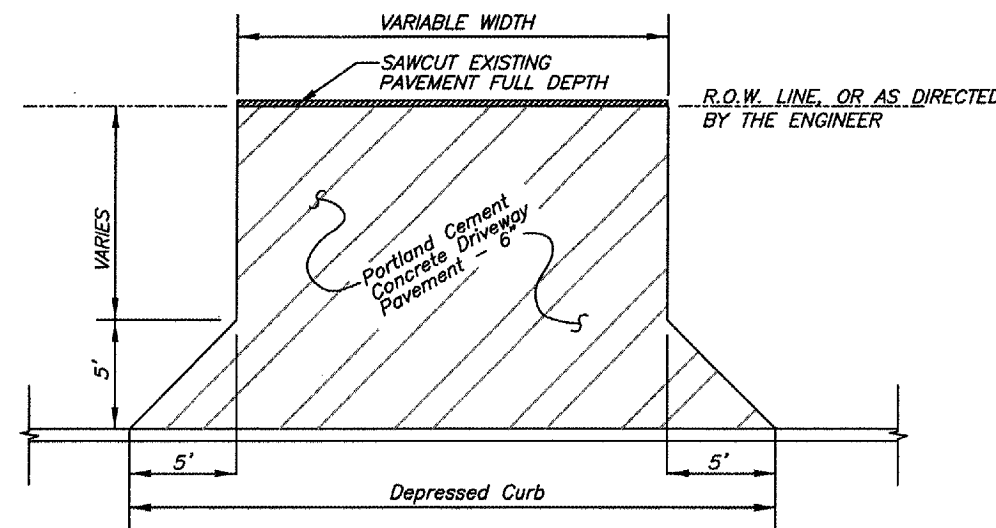
DEPRESSED CURB

NO SCALE

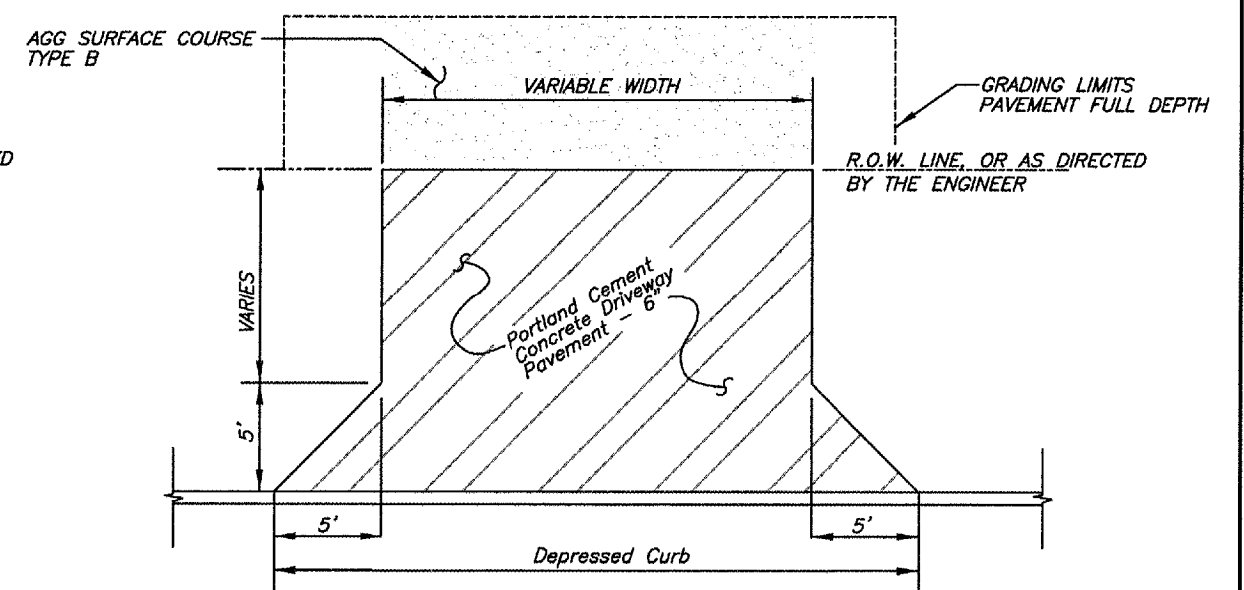
TO BE USED ADJACENT TO CITY STREETS & PRIVATE ENTRANCES
FOR JOINT 'B' DETAILS, SEE STANDARD BLR 10-3

LEGEND

- EDGE OF EXISTING ROADWAY
- [P] EXISTING TELEPHONE PEDESTAL
- [■] EXISTING UTILITY POLE
- [⊙] EXISTING WATER METER
- [■] EXISTING GRAVE HEADSTONE
- [⊗] EXISTING CEMETERY MARKER
- [Z] EXISTING CULVERT TO BE REMOVED
- [○] PROPOSED INLET, TYPE 3, 5'
- [■] PROPOSED INLET SPECIAL, TYPE A WITH TYPE 3V FRAME & GRATE
- PROPOSED STORM SEWER
- E— EXISTING UNDERGROUND ELECTRIC LINE
- OHE— EXISTING OVERHEAD UTILITY LINE
- T— EXISTING UNDERGROUND TELEPHONE
- GAS— EXISTING GAS LINE
- CATV— EXISTING CABLE TV LINE
- W— EXISTING WATERMAIN
- ⊙ EXISTING HYDRANT
- CONSTRUCTION LIMITS
- ×× EXISTING FENCE
- MBI EXISTING MAILBOX
- PROPOSED DEPRESSED CURB
- EXISTING CONCRETE TO BE REMOVED
- ◇ PROPOSED DITCH CHECK
- PROPOSED PERIMETER EROSION CONTROL
- EXISTING TREE TO REMAIN
- EXISTING TREE TO BE REMOVED



EXISTING PERMANENT PAVEMENT ENTRANCE DETAIL
NOT TO SCALE



EXISTING GRAVEL ENTRANCE DETAIL
NOT TO SCALE

03 Nov 2006 - 4:16pm X:\2003\03060\ac\plans\2typical sections.dwg