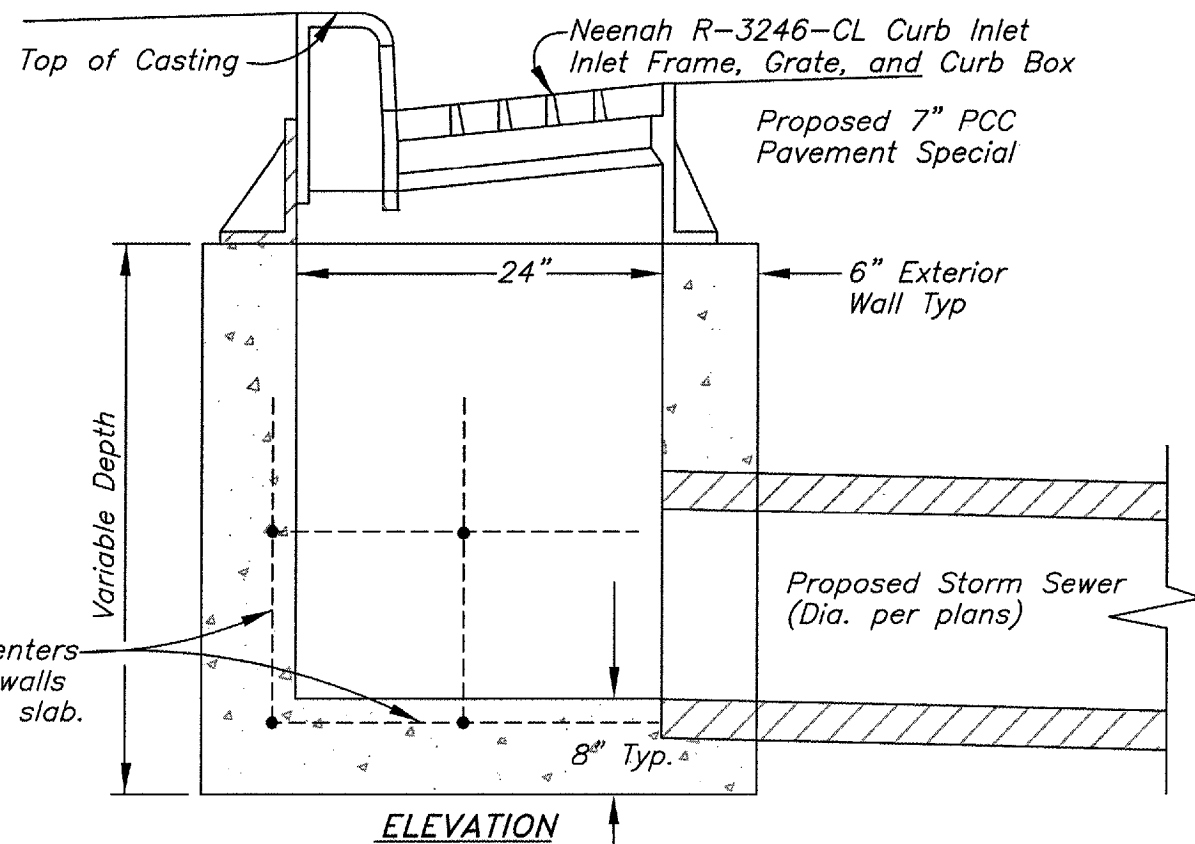
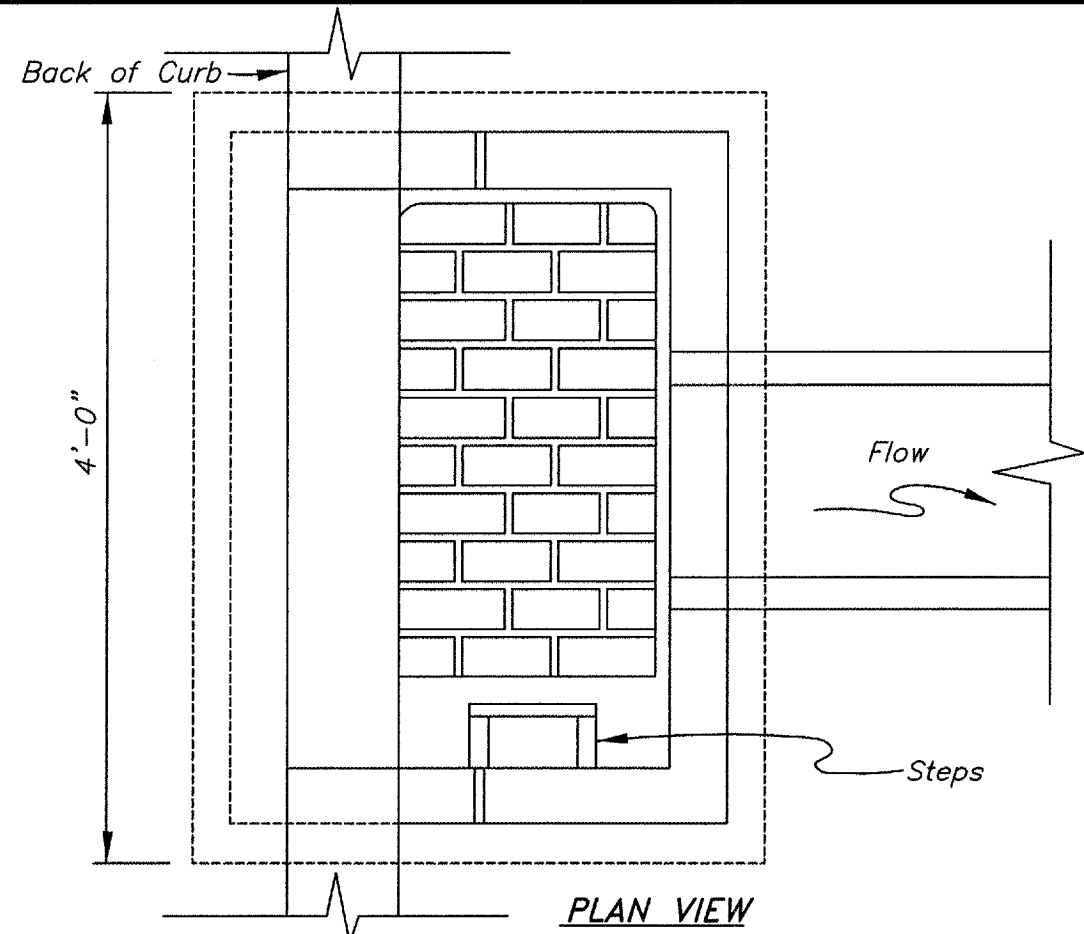
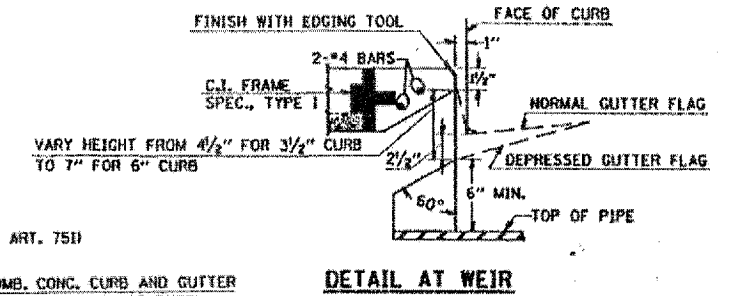
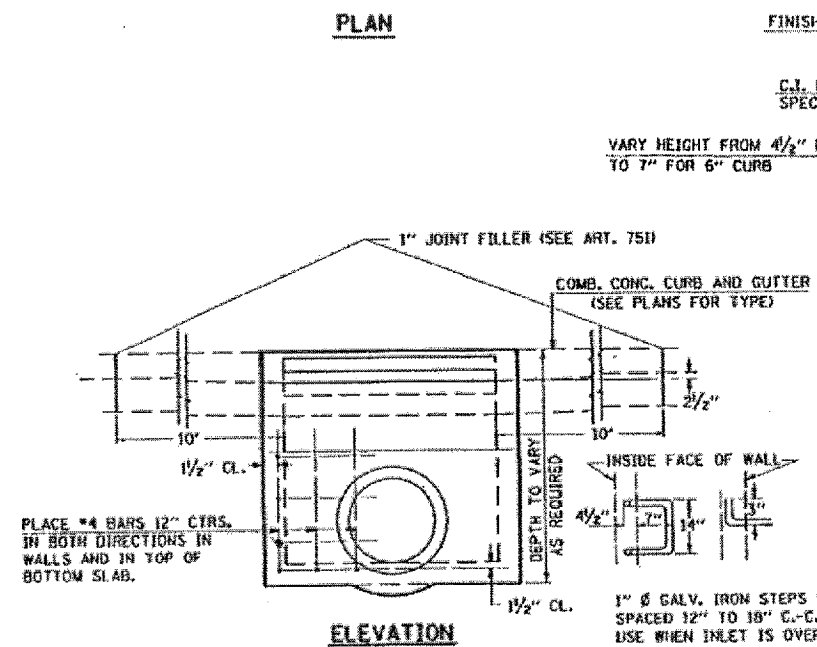
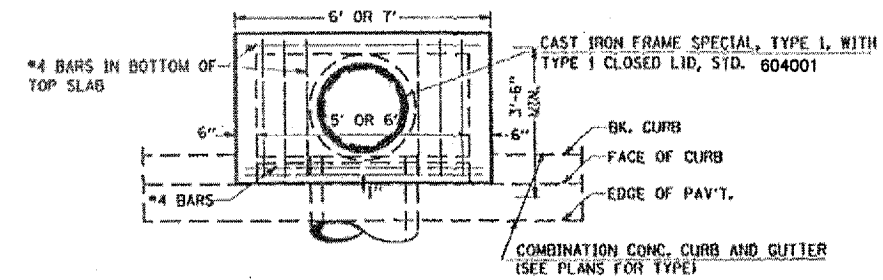


ROUTE	SECTION	COUNTY	TOTAL SHEETS	SHEET NO.
9545	03-00133-00-RP	SALINE	43	26
SALINE COUNTY		LIBERTY ROAD		

CONTRACT NO. 99274



**DETAIL - INLET TYPE A SPECIAL**



DESIGN	PIPE DIAM.	"D"
A	18" BLESS	2'-6"
B	21" B24"	3'-0"
C	27" B30"	3'-7"
D	33" B36"	4'-2"
E	42"	4'-9"
F	48"	5'-0"
G	54"	6'-1"

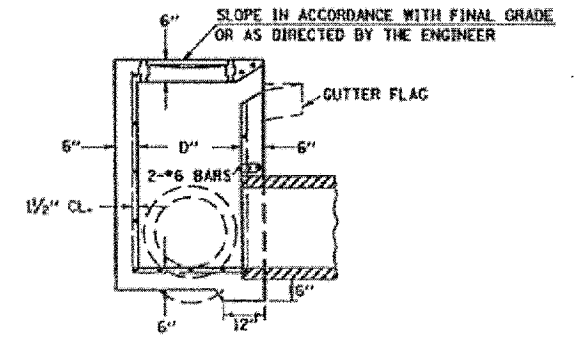
**NOTES:**

CLASS ST CONCRETE SHALL BE USED THROUGHOUT. SET FACE OF INLET 1" BEHIND FACE OF CURB. DEPRESS GUTTER FLOWLINE AT INLET 2 1/2" BELOW NORMAL GUTTER FLOWLINE. CONSTRUCT TRANSITION IN FLOWLINE IN 10 FEET EACH SIDE OF INLET. PIPES TO BE CONNECTED TO INLET AS SHOWN ON STORM SEWER LAYOUT.

INLETS WILL BE PAID FOR AT THE CONTRACT UNIT PRICE EACH FOR INLET, SPECIAL, TYPE 3, 5 FEET OR INLET, SPECIAL, TYPE 3, 6 FEET WHICH PRICE SHALL INCLUDE THE CAST IRON FRAME, SPECIAL, TYPE 1 WITH TYPE 1 CLOSED LID, THE REINFORCEMENT BARS, METAL STEPS AND JOINT FILLER.

THE GALV. IRON STEPS AS DETAILED HEREON ARE TYPICAL. STEPS OF OTHER DESIGN AND MATERIAL THAT WILL CONFORM TO THE MINIMUM REQUIREMENTS OF THE STEPS SHOWN, MAY BE USED WHEN APPROVED BY THE ENGINEER.

INLETS MAY BE PRECAST WHEN APPROVED BY THE ENGINEER.



**DETAIL - INLETS SPECIAL, TYPE 3, 5'**