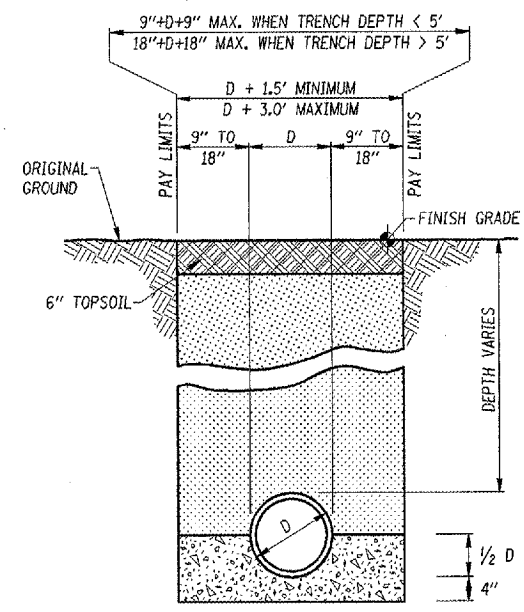
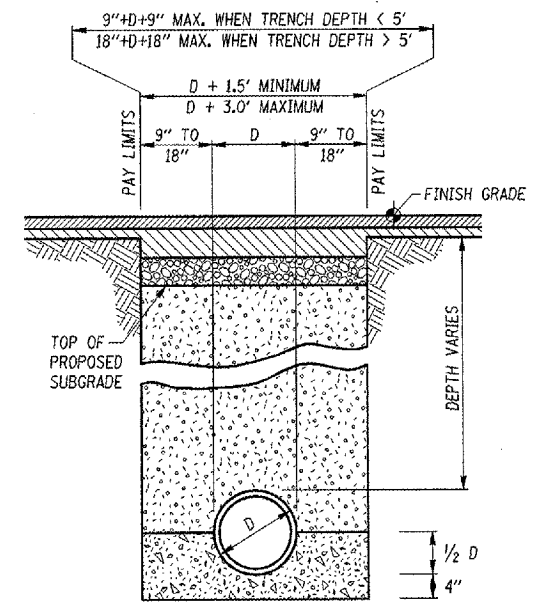


CONTRACT NUMBER	COUNTY	TOTAL SHEETS	SHEET NO.
GR002	BOND	30	11

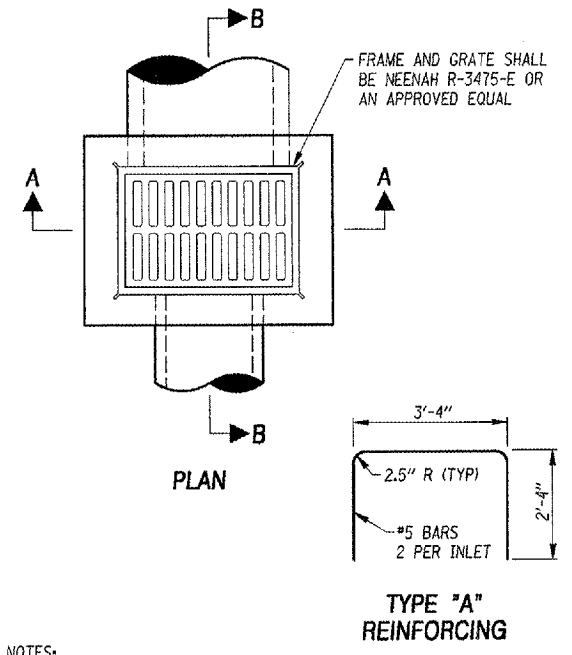


**TRENCHING DETAIL
UNDER UNPAVED AREAS**

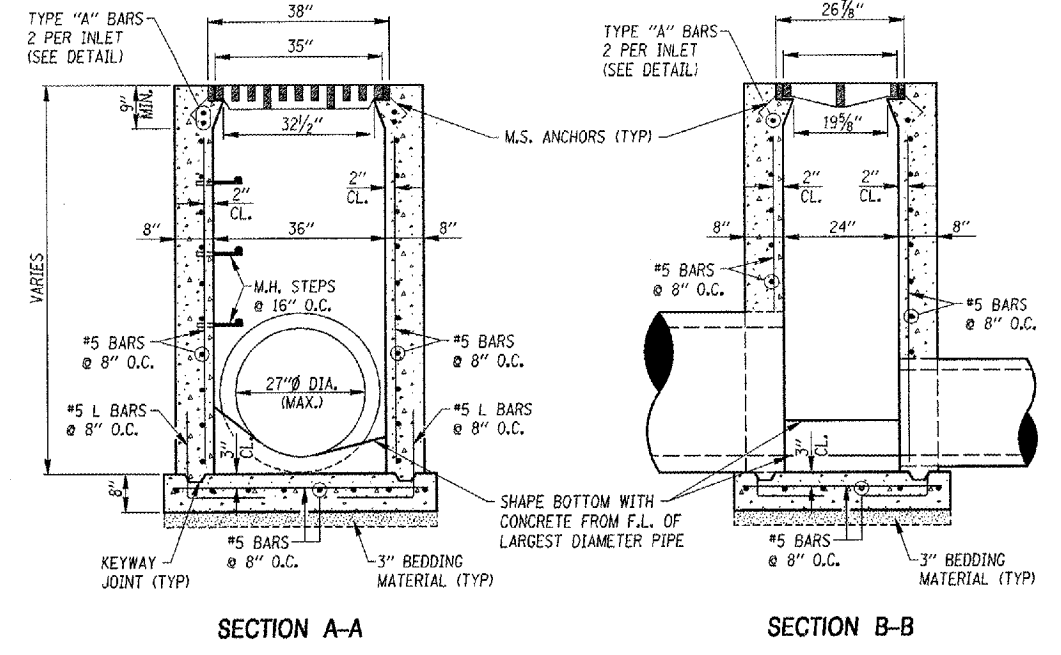


**TRENCHING DETAIL
UNDER PAVEMENT AREAS**

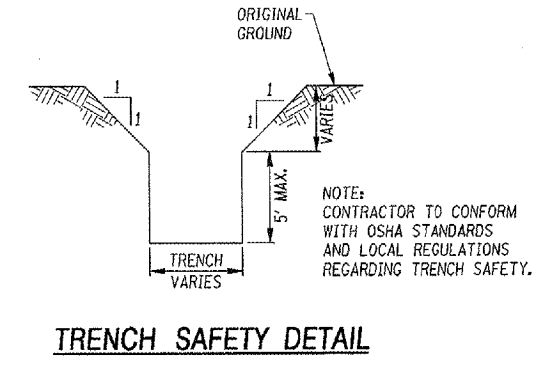
- LEGEND**
- FINAL BACKFILL**
EXCAVATED MATERIAL IN OTHER LOCATIONS (INCIDENTAL TO COSTS OF PIPE)
 - FINAL BACKFILL**
SELECT GRANULAR BACKFILL (IDOT CA-6) UNDER PAVEMENT AND 3' MIN. OUTSIDE EDGE OF PAVEMENT, COMPACTED TO 95% MODIFIED PROCTOR DENSITY (ASTM D-1557) (INCIDENTAL TO COST OF PIPE)
 - CRADLE**
SELECT GRANULAR BACKFILL (IDOT CA-6 IN DRY TRENCH, IDOT CA-7 IN WET TRENCH) COMPACTED TO 90% MODIFIED PROCTOR DENSITY (INCIDENTAL TO COST OF PIPE)



**TYPE "A"
REINFORCING**



SPECIAL INLET DETAIL



TRENCH SAFETY DETAIL

- NOTES:**
- SPECIAL INLET WALLS SHALL BE CONSTRUCTED OF PRECAST OR CAST-IN-PLACE CONCRETE IN ACCORDANCE WITH SECTION 751 OF THE STANDARD SPECIFICATIONS. THE MINIMUM WALL THICKNESS SHALL BE 8".
 - STEPS SHALL BE REQUIRED FOR ALL INLETS AND MANHOLES. STEPS SHALL BE IN ACCORDANCE WITH STANDARD 602701 HEREIN AND ARTICLE 751-2.7 OF THE STANDARD SPECIFICATIONS.
 - REINFORCEMENT BARS SHALL CONFORM TO THE REQUIREMENTS OF AASHTO M-31, M-42, OR M-53 GRADE 60.
 - THE CONTRACT UNIT PRICE PER EACH SPECIAL INLET SHALL INCLUDE THE INLET, FRAME, GRATE, STEPS, AND ALL REINFORCEMENT BARS IN PLACE AND COMPLETE PER UNIT.

DATE	DESCRIPTION OF THE REVISIONS	BY
09-20-06	REVISED AND REPACKAGED FOR JAN. '07 LETTING	RGH

GREENVILLE AIRPORT AUTHORITY GREENVILLE, ILLINOIS

HENRY, MEISENHEIMER & GENDE, INC.
ENGINEERS
CARLYLE, ILLINOIS 62231
www.hmgengineers.com
(618) 594-3711 Fax (618) 594-8217

DRAINAGE DETAILS	IL PROJ. NO. GRE-3215
	A.L.P. PROJ. NO. 3-17-0049-B4
	FILE NAME GA-DRAINDET
	DATE 01-19-2007

H.M.G. NO. 6536