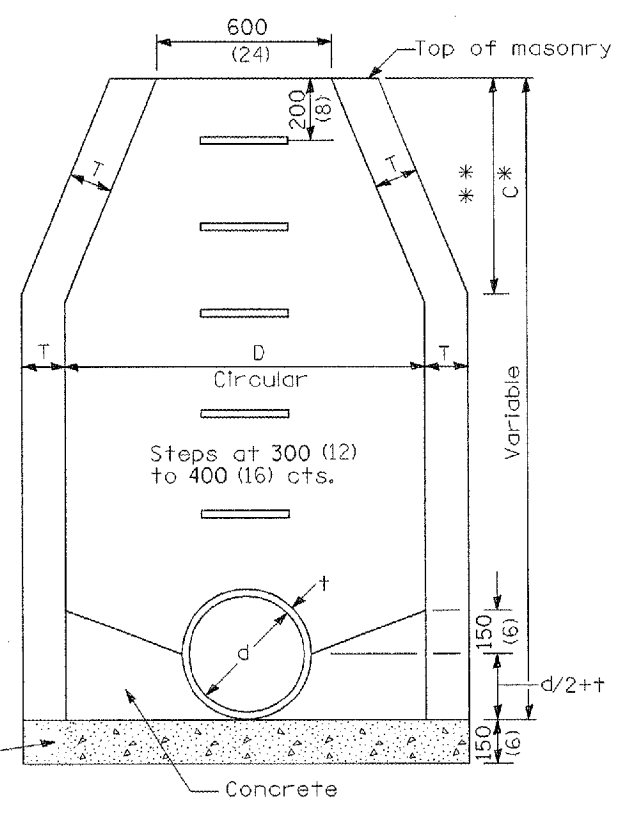
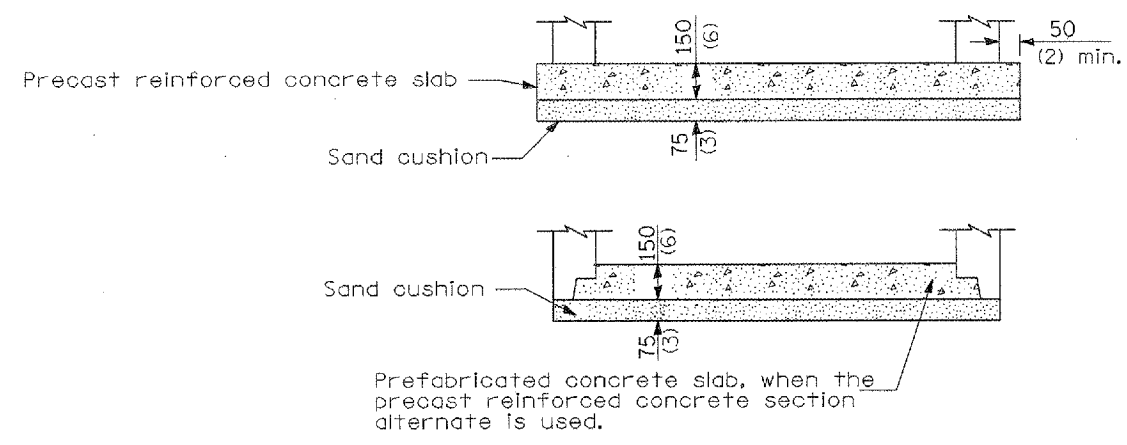


ELEVATION - ECCENTRIC



ELEVATION - CONCENTRIC

ALTERNATE MATERIALS FOR WALLS	D	C	T (min.)
Concrete Masonry Unit	1.2 m (4'-0")	750 (30)	125 (5)
	1.5 m (5'-0")	1.15 m (3'-9")	125 (5)
Brick Masonry	1.2 m (4'-0")	750 (30)	200 (8)
	1.5 m (5'-0")	1.15 m (3'-9")	200 (8)
Precast Reinforced Concrete Section	1.2 m (4'-0")	750 (30)	100 (4)
	1.5 m (5'-0")	1.15 m (3'-9")	125 (5)
Cast-in-place Concrete	1.2 m (4'-0")	750 (30)	150 (6)
	1.5 m (5'-0")	1.15 m (3'-9")	150 (6)



ALTERNATE BOTTOM SLAB

GENERAL NOTES

- See Standard 602701 for details of steps.
 - * Dimension "C" for Precast Reinforced Concrete Sections may vary from the dimension given to plus 150 mm (6").
 - ** See Standard 602601 for Optional Precast Reinforced Concrete Flat Slab Top.
- All dimensions are in millimeters (inches) unless otherwise shown.

DATE	DESCRIPTION OF THE REVISIONS	BY
09-20-06	REVISED AND REPACKAGED FOR JAN. '07 LETTING	RCH

MANHOLE TYPE A	IL PROJ. NO. GRE-3215
	A.I.P. PROJ. NO. 3-17-0049-B4
STANDARD 602401	FILE NAME IDOT-602401
	DATE 01-19-2007

H.M.G. NO. 6538