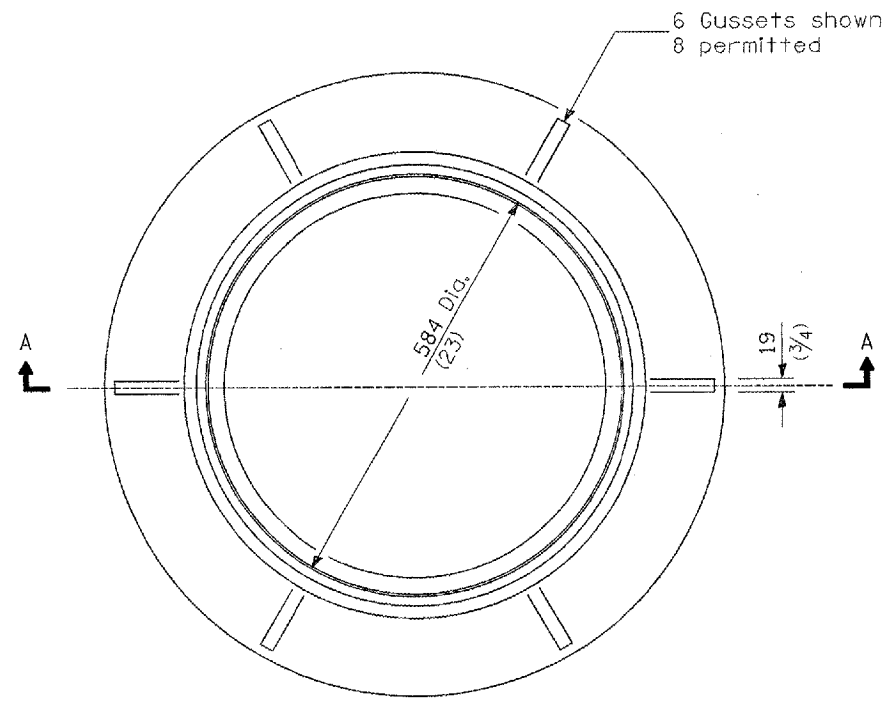
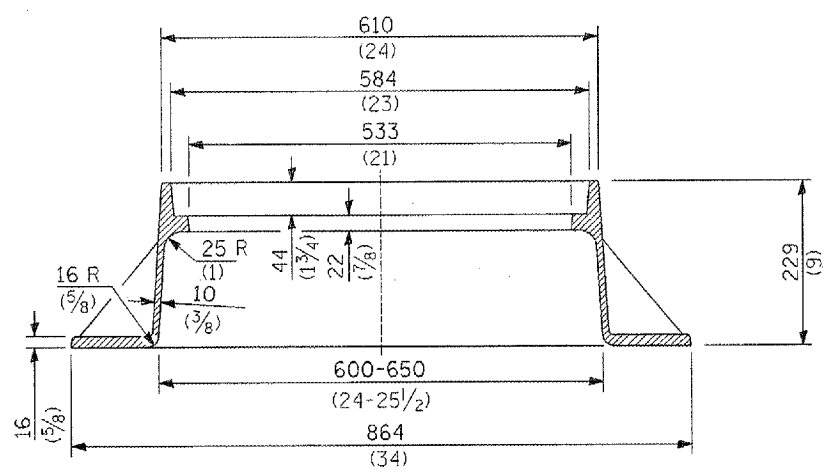


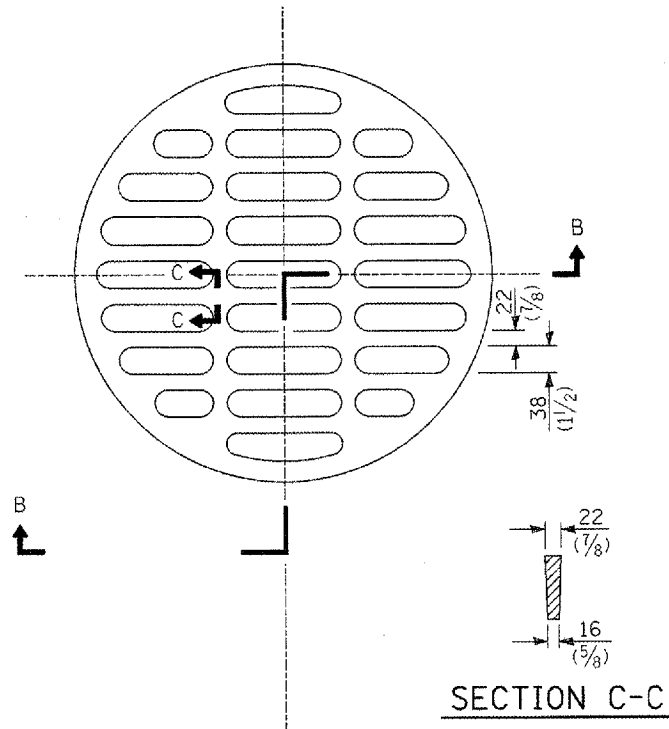
CONTRACT NUMBER	COUNTY	TOTAL SHEETS	SHEET NO.
GR002	BOND	30	23



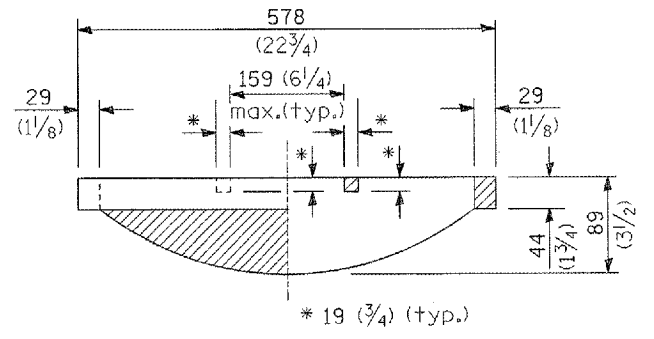
**CAST FRAME**



**SECTION A-A**  
Gray Iron  
73.5 kg (162 lb)

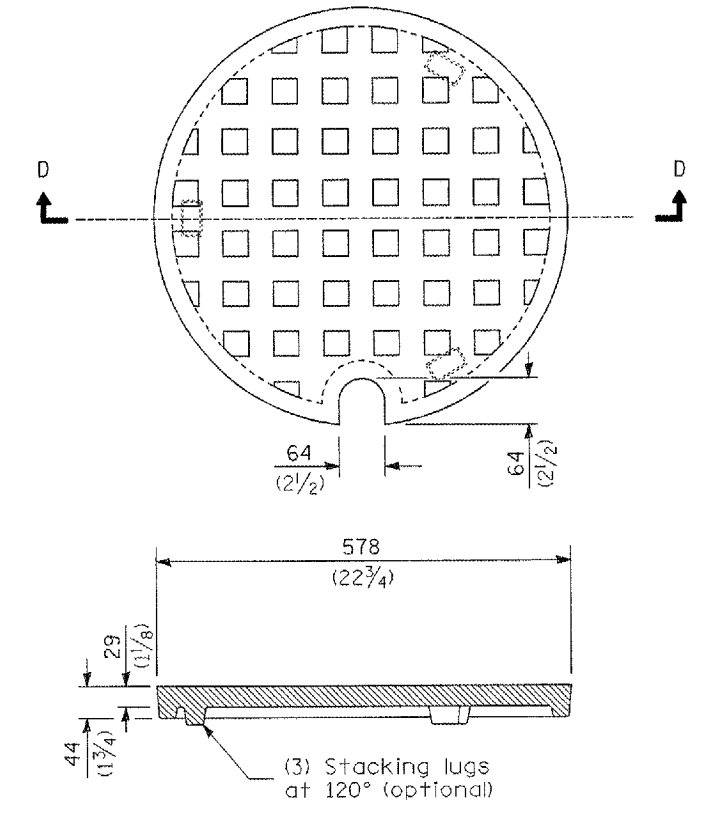


**SECTION C-C**



**SECTION B-B**

**CAST OPEN LID**  
53 kg (116 lbs)



**SECTION D-D**

**CAST CLOSED LID**  
Gray Iron Lid  
56.7 kg (125 lbs)

All dimensions are in millimeters (inches) unless otherwise shown.



DATE	DESCRIPTION OF THE REVISIONS	BY
09-20-06	REVISED AND REPACKAGED FOR JAN. '07 LETTING	RGH

GREENVILLE AIRPORT AUTHORITY GREENVILLE, ILLINOIS

HENRY, MEISENHEIMER & GENDE, INC.  
ENGINEERS  
CARLYLE, ILLINOIS 62231  
www.hmgengineers.com  
(618) 684-3711 Fax (618) 684-8217

**FRAME AND LIDS TYPE 1**

**STANDARD 604001**

IL. PROJ. NO.	GRE-3215
A.I.P. PROJ. NO.	3-17-0049-B4
FILE NAME	IDOT-604001
DATE	01-19-2007

H.M.G. NO. 5536