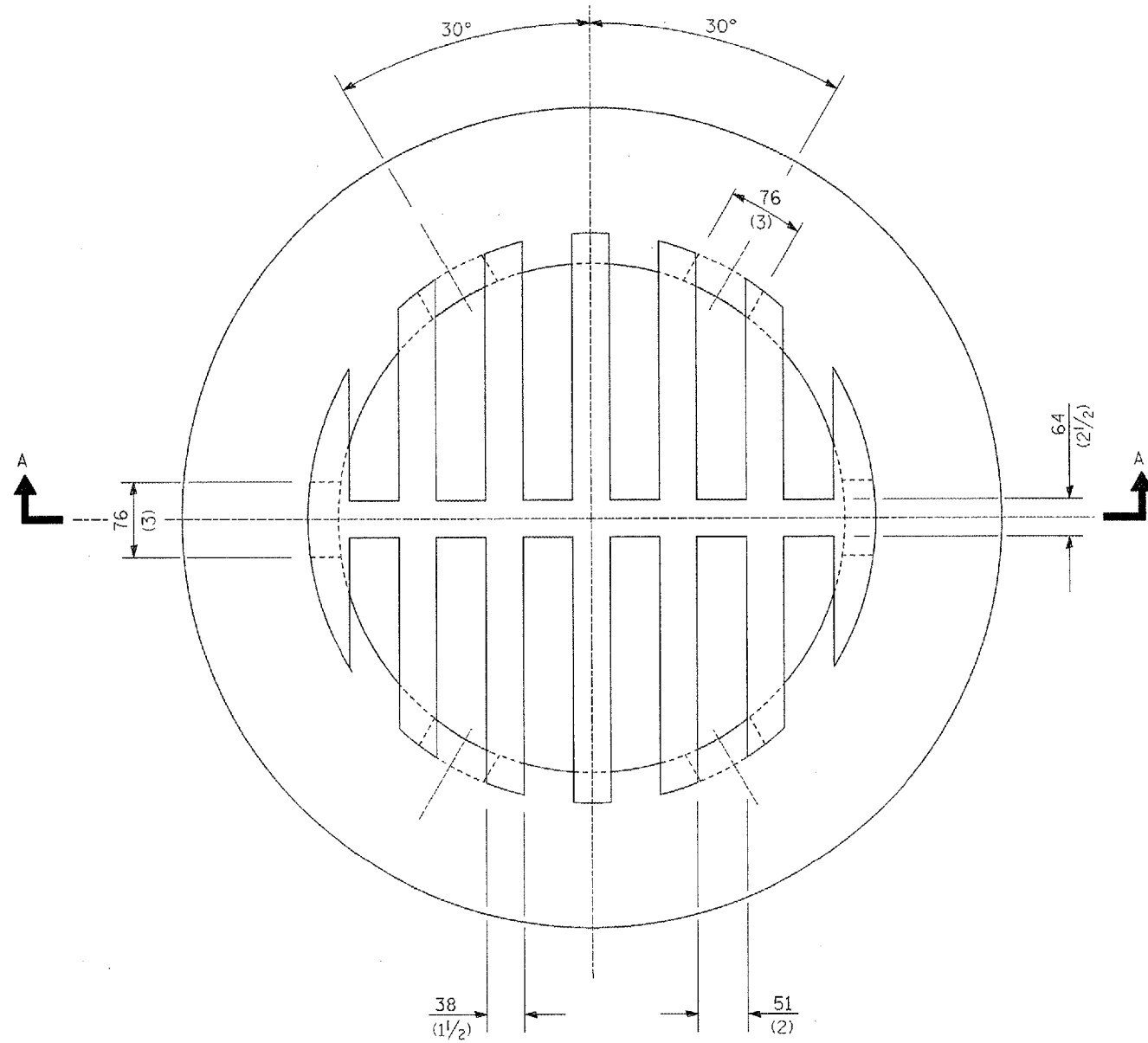
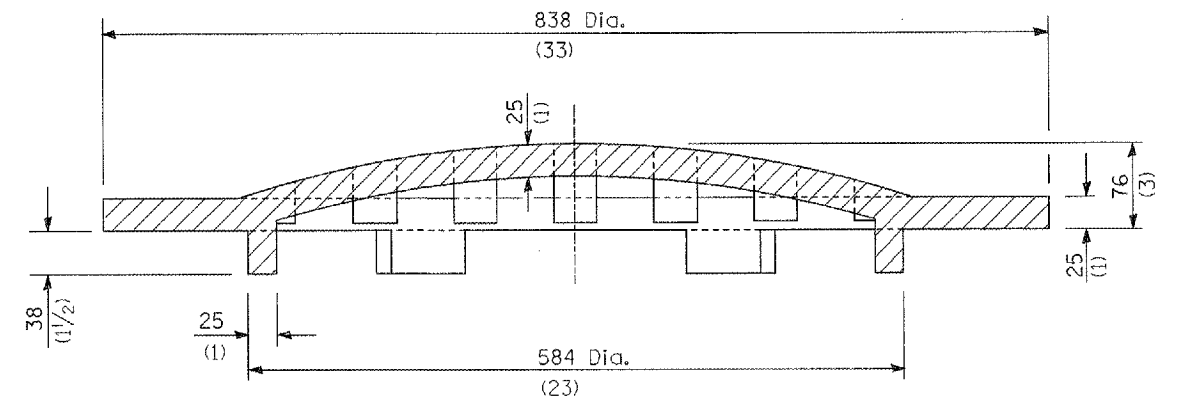


CONTRACT NUMBER	COUNTY	TOTAL SHEETS	SHEET NO.
GRO02	BOND	30	25



CAST GRATE
91 kg (200 lbs.)



SECTION A-A

All dimensions are in millimeters (inches) unless otherwise shown.



DATE	DESCRIPTION OF THE REVISIONS	BY
09-20-06	REVISED AND REPACKAGED FOR JAN. '07 LETTING	RGH

GREENVILLE AIRPORT AUTHORITY GREENVILLE, ILLINOIS

H M G HENRY, MEISENHEIMER & GENDE, INC.
ENGINEERS
CARLEYLE, ILLINOIS 62291
www.hmgengineers.com
(618) 584-3711 Fax (618) 584-8217

GRATE TYPE 8	IL. PROJ. NO. GRE-3215
	A.I.P. PROJ. NO. 3-17-0049-B4
STANDARD 604036	FILE NAME IDOT-604036
	DATE 01-19-2007

H.M.G. NO. 5538